

LTR-4RWPH Open

LITEISTRY 4" ROUND OPEN WW/DWW/CWW W/POWERHUBB™

LITEISTRY™

FEATURES

- 4" architectural LED wall wash delivering 600–4000 lm
- Single, double and corner wall wash solutions
- Provides uniform vertical illumination as well as room side light
- Quiet reflector appearance with 50° optical cutoff
- 2700K–5000K, 80+ and 90+ CRI options
- Available for New Construction (non-IC) and IC applications
- PowerHUBB™ enables low-voltage wired connectivity for Power over Ethernet (PoE) network system deployment



RELATED PRODUCTS

- [Ø 3" LITEISTRY Family](#)
 [Ø 4" LITEISTRY Family](#)
 [Ø 6" LITEISTRY Family](#)



CONTROL TECHNOLOGY



SPECIFICATIONS

CONSTRUCTION

- Standard Non-IC, IC option available
- New Construction: Painted black durable steel platform with pre-installed bar hangers
- Pre-wired junction box with snap-on covers for easy access
- Snap-in connection from driver compartment allows easy installation
- Light Engine connections use plenum rated (CMP) cable

OPTICS

- Visually pleasing 50° cutoff to source and source image
- Open cone and kicker reflector assembly with an optical grade silicone lens integral to light engine
- Available in Single, Double, and Corner wall wash distributions
- Provides excellent uniformity down the wall while also contributing to room side lighting
- The light distribution is free of distracting bright spots or pixelation and the perimeter has a smooth transition

OPTICS (CONTINUED)

- High purity spun aluminum reflector, self-flanged
- Flush mount flange option with mud-in ring available
- Large selection of anodized finishes and colors
- Painted cones and flange options available

ELECTRICAL

- Chip-on-board LED with 2 SDCM
- Multiple CCTs, 80+ or 90+ CRI
- Long LED life: L90 at > 55,000 hours (TM-21)
- PowerHUBB™ enables low-voltage wired connectivity for Power over Ethernet (PoE) network system deployment
- EMI Filtering (FCC 47 CFR Part 15) Class A

INSTALLATION

- Accommodates ceiling thickness up to 2" (WW/DWW); up to 1.25" (CWW)
- Universal adjustable mounting brackets also accept 0.5" EMT conduit or 1.5" or 0.75" lathing channel (by others) or Prescolite accessory bar hangers (B24 or B6)
- Light engine/PowerHUBB node fully serviceable from above or below the ceiling
- This product qualifies as a "designated country construction material" per FAR 52.225-11 Buy American-Construction. Materials under Trade Agreements effective 6/6/2020. See [Buy American Solutions](#).

CERTIFICATIONS

- cCSAus certified to UL 2108
- Suitable for damp locations

WARRANTY

- 5 year warranty
- See [HLI Standard Warranty](#) for additional information

KEY DATA	
Lumen Range	600-4000
Wattage Range	8-52
Efficacy Range (LPW)	88*
Reported Life (Hours)	L90 / >55,000
Input Current (mA)	N/A

*Based on Specular, 35K, 80 CRI



LTR-4RWPH Open

LITEISTRY 4" ROUND OPEN WW/DWW/CWW W/POWERHUBB™

DATE: _____ LOCATION: _____

TYPE: _____ PROJECT: _____

CATALOG #: _____

ORDERING GUIDE

Example: LTR-4RDPH-H-SL10L-PMC-LTR-4RW-T-SL35K8WW-S

CATALOG #

HOUSING

LTR-4RDPH-H		Lumen Package		Lumen Output		PowerHUBB Node		Housing Options	
Aperture/Shape/Function									
LTR-4RDPH-H	4" Round Downlight/ WW/DWW Wall Wash New Construction Housing	SL	Standard Lumen	06L	600	PM	PowerHUBB™, On/Off/1% Dim, Master	IC	IC rated ⁴
				10L	1000	PMC	PowerHUBB™, On/Off/1% Dim, Control Inputs, Master		
				15L	1500	PS	PowerHUBB™, On/Off/1% Dim, Satellite		
LTR-4RCWPH-H	4" Round Corner Wall Wash Housing ⁶	ML	Medium Lumen	20L	2000	PSC	PowerHUBB™, On/Off/1% Dim, Control Inputs, Satellite		
				25L	2500				
				30L	3000				
		HL	High Lumen	35L	3500				
				40L	4000				

TRIM

LTR-4RW-T		Lumen Package		CCT		CRI		Distribution	
Aperture/Shape/Function									
LTR-4RW-T	4" Round Wall Wash Light Engine/Trim Assembly	SL	Standard Lumen	27K	2700K	8	80+CRI	WW	Single Wall Wash
		ML	Medium Lumen	30K	3000K	9	90+CRI	DWW	Double Wall Wash
		HL	High Lumen	35K	3500K			CWW	Corner Wall Wash ⁶
				40K	4000K				
				50K	5000K ¹				

TRIM CONTINUED

Reflector Finish		Reflector Color		Flange Color Options		Lower Trim Options		Reflector Options	
<i>Finish not applicable with painted reflectors (WC or BC)</i>		<i>Standard Clear</i>		<i>Standard matches reflector color</i>		FM Flush Mount Mud-in Ring ⁵		AM Antimicrobial Coating ³	
S	Specular	CG	Champagne Gold	WT	White Flange ²				
SS	Semi-Specular	BL	Black	BT	Black Flange ²				
MFC	American Matte™	LW	Light Wheat						
VS	Softglow®	PW	Pewter						
VSS	SoftSheen™	WC	Painted White Cone and Flange						
		BC	Painted Black Cone and Flange						

Notes:

- 1 5000K available in 80+ CRI only.
- 2 WT not needed for WC, BT not needed for BC.
- 3 AM available with WC or Specular Clear (S or SWT). Consult factory for other colors.
- 4 IC available up to 20L.
- 5 Flush Mount Flange (FM) requires FMR accessory (sold separately).
- 6 CWW must use LTR-4RCWPH-H housing.

Accessories

- B24** Set of two (2) 24" bar hangers for T-bar ceilings
- B6** Set of two bar hangers for ceiling joist up to 24" centers
- FMR4-R** Flush Mount Mud-In Ring, 4" Round
- MOR4-R-WH** Metal Oversized Ring, 4" Round, White (8.25" outside diameter)
- MOR4-R-BL** Metal Oversized Ring, 4" Round, Black (8.25" outside diameter)

LTR-4RWPH Open

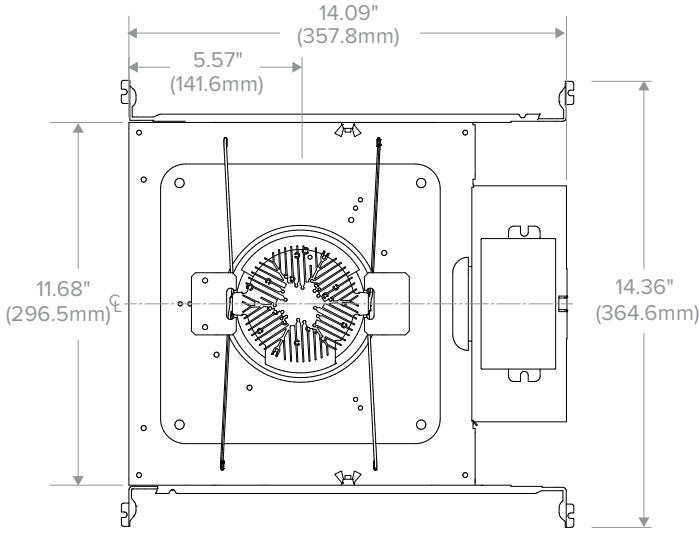
LITEISTRY 4" ROUND OPEN WW/DWW/CWW W/POWERHUBB™

DATE: _____ LOCATION: _____

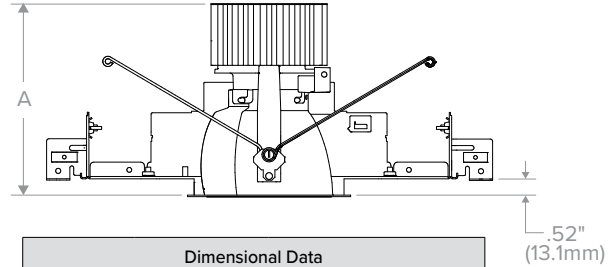
TYPE: _____ PROJECT: _____

CATALOG #: _____

DIMENSIONS

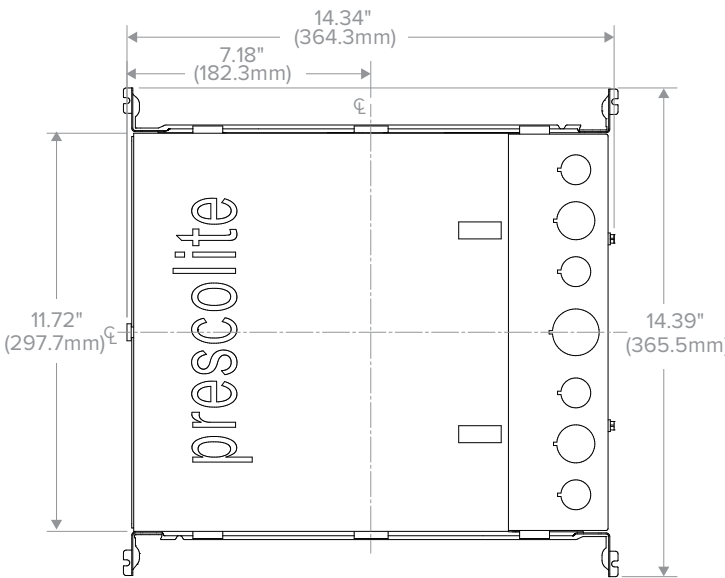


Top View

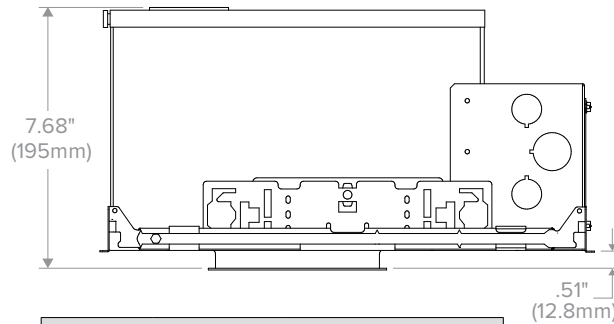


Dimensional Data		
Aperture		4.00" (101.6mm)
Flange:	Standard	5.25" (133.4mm)
	Flush Mount	4.50" (114.3mm)
Ceiling Cutout:	Standard	5.00" (127.0mm)
	Flush Mount	5.12" (130.0mm)
Ceiling Thickness:	WW/DWW	0.50" to 2.00" (12.7mm to 50.8mm)
	CWW	0.50" to 1.25" (12.7mm to 31.8mm)

LTR-4RDPH-H



Top View



Dimensional Data		
Aperture		4.00" (101.6mm)
Flange:	Standard	5.25" (133.4mm)
	Flush Mount	4.50" (114.3mm)
Ceiling Cutout:	Standard	5.00" (127.0mm)
	Flush Mount	5.12" (130.0mm)
Ceiling Thickness:	WW/DWW	0.50" to 2.00" (12.7mm to 50.8mm)
	CWW	0.50" to 1.25" (12.7mm to 31.8mm)

LTR-4RDPH-H IC

LTR-4RWPH Open

LITEISTRY 4" ROUND OPEN WW/DWW/CWW W/POWERHUBB™

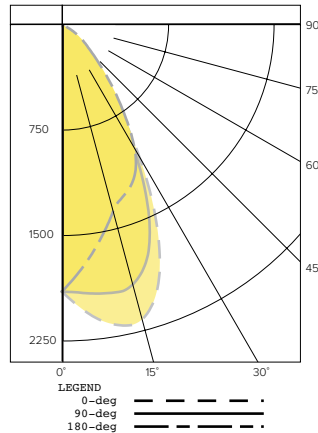
PHOTOMETRY

LTR-4RDPH-H-ML20L-PMC / LTR-4RW-T-ML35K8WWS

LUMINAIRE DATA

Test No.	R19.00750-01
Description	Single Wall Wash, 2000 lm, 3500K, 80 CRI
Delivered Lumens	1989
Watts	22.7W
Efficacy	87.5
Mounting	Recessed

POLAR GRAPH



CANDELA DISTRIBUTION

Degree	Candela
0	1900
5	1730
15	1390
25	1210
35	783
45	360
55	173
65	69
75	13
85	2
90	0

LUMINANCE DATA*

Vertical Angle	Average
45°	59049
55°	34982
65°	18936
75°	5826
85°	2662

*Candela/Square Meter

ZONAL LUMEN SUMMARY

Zone	Lumens	% Luminaire
0-40	1777	89.3
0-60	1959	98.5
0-90	1989	100.0
0-180	1989	100.0

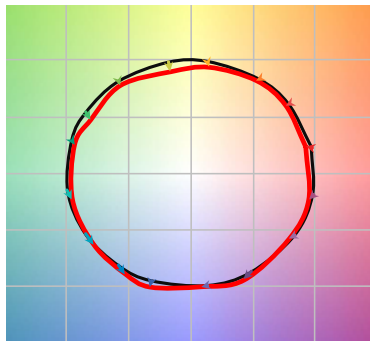
LUMEN MULTIPLIER

Option	27K8	30K8	35K8	40K8	50K8	27K9	30K9	35K9	40K9
Multiplier	0.94	0.98	1.00	1.01	1.02	0.81	0.84	0.85	0.85

Photometrics are published below at a nominal 3500 Kelvin, 80+ CRI. This table may be used to approximate the lumen values at different Kelvin temperatures. Power consumption would stay the same.

TM-30 DATA

COLOR VECTOR GRAPHIC 3500K, 90 CRI



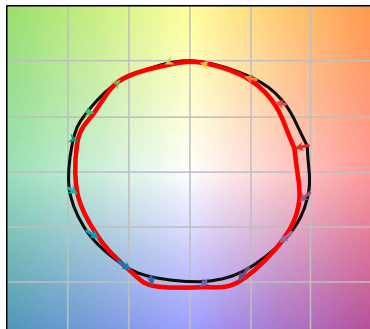
— Reference Illuminant — Test Source

COLOR DISTORTION GRAPHIC 3500K, 90 CRI



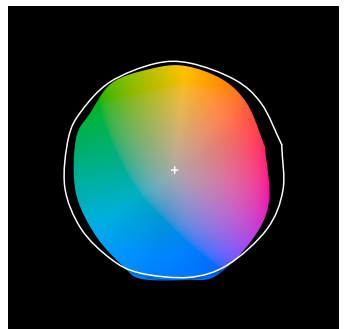
TEST RESULTS - 3500K		
Value	80+ CRI	90+ CRI
R _t	84	88
R _g	95	95
CCT (K)	3411	3419
D _{uv}	0.0015	0.0042
x	0.4120	0.4147
y	0.3974	0.4052
CIE R _a	84	93
CIE R _g	11	62

COLOR VECTOR GRAPHIC 3500K, 80 CRI



— Reference Illuminant — Test Source

COLOR DISTORTION GRAPHIC 3500K, 80 CRI



LTR-4RWPH Open

LITEISTRY 4" ROUND OPEN WW/DWW/CWW W/POWERHUBB™

ELECTRICAL DATA

WATTAGE DATA		
Lumen Output	Nominal Lumens	Wattage
06L	600	8
10L	1000	12
15L	1500	19
20L	2000	23
25L	2500	28
30L	3000	35
35L	3500	43
40L	4000	52

* Wattage may vary based on configuration and options selected

ADDITIONAL INFORMATION

PowerHUBB™  POWERHUBB™
PoE LIGHTING & CONTROL

Hubbell Control Solutions' PowerHUBB™ is an enterprise-level Power over Ethernet (PoE) lighting and control platform that seamlessly integrates luminaires, sensors, user interfaces and software for a scalable intelligent building control solution.

See separate [PowerHUBB™ In-Fixture Solutions Guide](#) and [Hubbell Control Solutions PowerHUBB Brochure](#) for more details.