

LTR-4SQWPH Lens

LITEISTRY 4" SQUARE LENSED WALL WASH WITH POWERHUBB™

LITEISTRY™

FEATURES

- 3" architectural LED lensed wall wash delivering 600–4000 lm
- Provides smooth, uniform vertical illumination
- 2700K–5000K, 80+ and 90+ CRI options
- Available for New Construction (non-IC) and IC applications
- PowerHUBB™ enables low-voltage wired connectivity for Power over Ethernet (PoE) network system deployment



CONTROL TECHNOLOGY



SPECIFICATIONS

CONSTRUCTION

- Standard Non-IC, IC option available
- New Construction: Painted black durable steel platform with pre-installed bar hangers
- Pre-wired junction box with snap-on covers for easy access
- Snap-in connection from driver compartment allows easy installation
- Light Engine connections use plenum rated (CMP) cable

OPTICS

- Provides excellent uniformity down the wall
- Reflector assembly with a satin diffuse acrylic lens
- Provides excellent uniformity down the wall
- The light distribution is free of distracting bright spots or pixelation and the perimeter has a smooth transition
- High purity four panel aluminum reflector, self-flanged

OPTICS CONTINUED

- Flush mount flange option with mud-in ring available
- Large selection of anodized finishes and colors
- Painted cones and flange options available

ELECTRICAL

- Chip-on-board (COB) LED with 2 SDCM
- Multiple CCTs, 80+ or 90+ CRI
- Long LED life: L90 at >55,000 hours (TM-21)
- PowerHUBB™ enables low-voltage wired connectivity for Power over Ethernet (PoE) network system deployment
- EMI Filtering (FCC 47 CFR Part 15) Class A

INSTALLATION

- Accommodates ceiling thicknesses up to 1.25"

RELATED PRODUCTS

Ø 3" LITEISTRY Family

Ø 4" LITEISTRY Family

Ø 6" LITEISTRY Family

INSTALLATION CONTINUED

- Universal adjustable mounting brackets also accept ½" EMT conduit or 1½" or ¾" lathing channel (by others) or Prescolite accessory bar hangers (B24 or B6)
- Light engine/PowerHUBB node fully serviceable from above or below the ceiling

CERTIFICATIONS

- cCSAus certified to UL 2108
- Suitable for wet locations, covered ceiling. EMR: Suitable for damp locations.
- This product qualifies as a "designated country construction material" per FAR 52.225-11 Buy American-Construction. Materials under Trade Agreements effective 6/6/2020. See [Buy American Solutions](#).

WARRANTY

- 5 year warranty
- See [HLI Standard Warranty](#) for additional information

| KEY DATA | |
|----------------------|---------------|
| Lumen Range | 600–4000 |
| Wattage Range | 8–52 |
| Efficacy Range (LPW) | 90* |
| Life (Hours) | L90 / >55,000 |
| Input Current (mA) | N/A |

*Based on Specular, 35K, 80 CRI



LTR-4SQWPH Lens

LITEISTRY 4" SQUARE LENSED WALL WASH WITH POWERHUBB™

DATE: _____ LOCATION: _____

TYPE: _____ PROJECT: _____

CATALOG #: _____

ORDERING GUIDE

Example: LTR-4SQDPH-H-SL10L-PMC-LTR-4SQW-T-SL35K8LWW-S

CATALOG #

HOUSING

| LTR-4SQDPH-H | | Lumen Package | | Lumen Output | | PowerHUBB Node | | Housing Options | | | | |
|---|--|-------------------|---------------------------------|-----------------|----------------------------------|--------------------------------------|---|---|--|--------------------------|---------------|----------------------|
| Aperture/Shape/Function | | | | | | | | | | | | |
| LTR-4SQDPH-H 4" Square Downlight /Wall Wash New Construction Housing | | SL Standard Lumen | 06L 600 10L 1000 15L 1500 | ML Medium Lumen | 20L 2000 25L 2500 30L 3000 | PM PowerHUBB™, On/Off/1% Dim, Master | PMC PowerHUBB™, On/Off/1% Dim, Control Inputs, Master | PS PowerHUBB™, On/Off/1% Dim, Satellite | PSC PowerHUBB™, On/Off/1% Dim, Control Inputs, Satellite | IC IC rated ⁵ | | |
| | | | | | | | | | | | HL High Lumen | 35L 3500 40L 4000 |
| | | | | | | | | | | | | |
| | | | | | | | | | | | | |

TRIM

| LTR-4SQW-T | | Lumen Package | | CCT | | CRI | | Distribution | |
|---|--|-------------------|------------------------|----------|----------------------|-----|--|--------------|--|
| Aperture/Shape/Function | | | | | | | | | |
| LTR-4SQW-T 4" Square Wall Wash Light Engine/Trim Assembly | | SL Standard Lumen | 27K 2700K | 8 80+CRI | LWW Lensed Wall Wash | | | | |
| | | ML Medium Lumen | 30K 3000K | 9 90+CRI | | | | | |
| | | HL High Lumen | 35K 3500K | | | | | | |
| | | | 40K 4000K | | | | | | |
| | | | 50K 5000K ¹ | | | | | | |

TRIM CONTINUED

| Reflector Finish | Reflector Color | Flange Color Options | Lower Trim Options | Reflector Options |
|---|---|---|--|--|
| <i>Finish not applicable with painted reflectors (WC or BC)</i> | <i>Standard Clear</i> | <i>Standard matches reflector color</i> | FM Flush Mount Mud-in Ring ⁴ | AM Antimicrobial Coating ³ |
| S Specular | CG Champagne Gold | WT White Flange ² | | |
| SS Semi-Specular | BL Black | BT Black Flange ² | | |
| VS Softglow® | LW Light Wheat | | | |
| VSS SoftSheen™ | PW Pewter | | | |
| | WC Painted White Cone and Flange | | | |
| | BC Painted Black Cone and Flange | | | |

Accessories

- B24** Set of two (2) 24" bar hangers for T-bar ceilings
- B6** Set of two bar hangers for ceiling joist up to 24" centers
- FMR4-SQ** Flush Mount Flange Mud-In Ring, 4" Square
- MOR4-SQ-WH** Metal Oversized Ring, 4" Square, White (8.25" outer dimension)
- MOR4-SQ-BL** Metal Oversized Ring, 4" Square, Black (8.25" outer dimension)

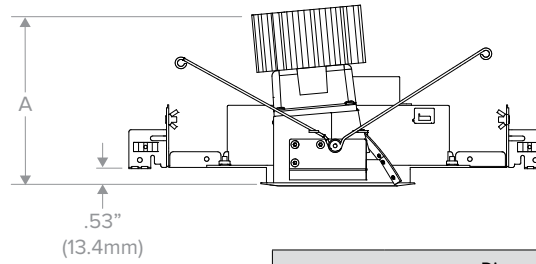
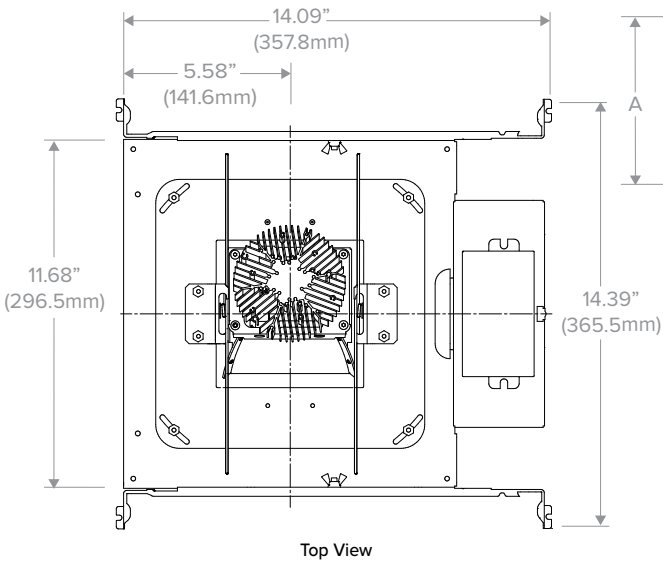
Notes:

- 1 5000K available in 80+ CRI only.
- 2 WT not needed for WC, BT not needed for BC.
- 3 AM available with WC or Specular Clear (S or SWT). Consult factory for other colors.
- 4 Flush Mount Flange (FM) requires FMR accessory (sold separately).
- 5 IC available up to 20L.

LTR-4SQWPH Lens

LITEISTRY 4" SQUARE LENSED WALL WASH WITH POWERHUBB™

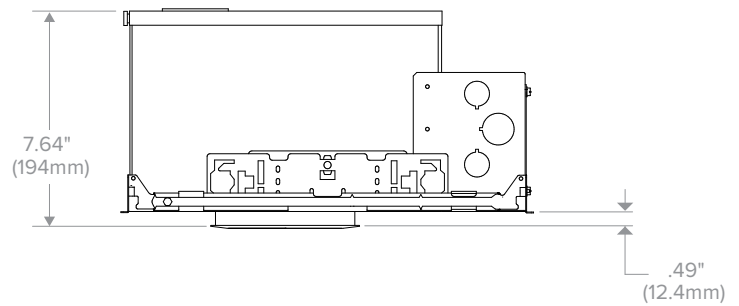
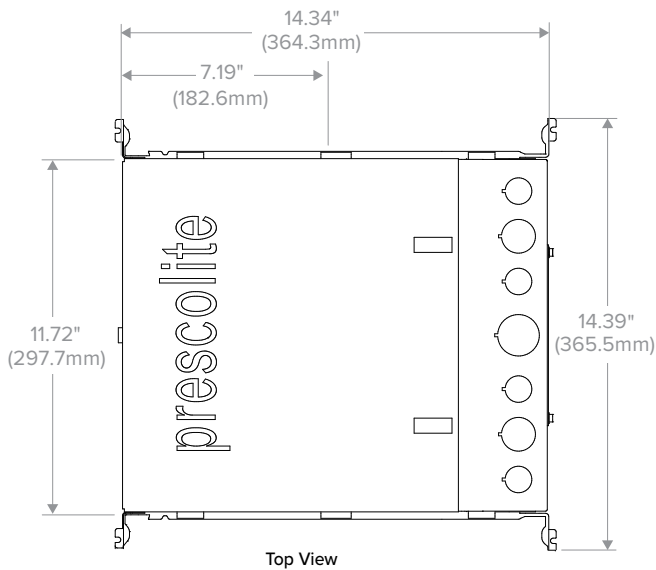
DIMENSIONS



| Lumen Package | "A" |
|---------------|-----------------|
| 06L-15L | 5.00" (127.0mm) |
| 20L-30L | 6.08" (154.4mm) |
| 35L-40L | 7.25" (184.2mm) |

| Dimensional Data | | |
|-------------------|-------------|-----------------------------------|
| Aperture | | 4.00" (101.6mm) SQ |
| Flange | Standard | 5.25" (133.4mm) SQ |
| | Flush Mount | 4.69" (119.1mm) SQ |
| Ceiling Cutout | Standard | 5.00" (127.0mm) SQ |
| | Flush Mount | 5.00" (127.0mm) SQ |
| Ceiling Thickness | | 0.50" to 1.25" (12.7mm to 31.8mm) |

LTR-4SQWPH Lens-H New Construction



| Dimensional Data | | |
|-------------------|-------------|-----------------------------------|
| Aperture | | 4.00" (101.6mm) SQ |
| Flange | Standard | 5.25" (133.4mm) SQ |
| | Flush Mount | 4.69" (119.1mm) SQ |
| Ceiling Cutout | Standard | 5.00" (127.0mm) SQ |
| | Flush Mount | 5.00" (127.0mm) SQ |
| Ceiling Thickness | | 0.50" to 1.25" (12.7mm to 31.8mm) |

LTR-4SQDPH-H IC/CP

LTR-4SQWPH Lens

LITEISTRY 4" SQUARE LENSED WALL WASH WITH POWERHUBB™

PHOTOMETRY

LTR-4SQDPH-H-ML20L-DM1 / LTR-4SQW-T-ML35K8LWWS

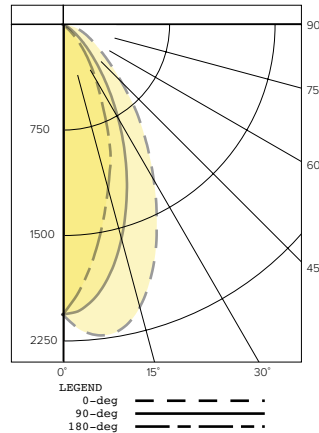
LUMINAIRE DATA

| | |
|------------------|--|
| Test No. | R19.01207-01 |
| Description | 4" Lensed Wall-Wash; 2000lm 3500K, 80 CRI |
| Delivered Lumens | 2040 |
| Watts | 24.3W |
| Efficacy | 90.3 |
| Mounting | Recessed |

ZONAL LUMEN SUMMARY

| Zone | Lumens | % Luminaire |
|-------|--------|-------------|
| 0-40 | 1563 | 76.6 |
| 0-60 | 1947 | 95.4 |
| 0-90 | 2040 | 100.0 |
| 0-180 | 2040 | 100.0 |

POLAR GRAPH



CANDELA DISTRIBUTION

| Degree | Candela |
|--------|---------|
| 0 | 2068 |
| 5 | 2212 |
| 15 | 2099 |
| 25 | 1587 |
| 35 | 1047 |
| 45 | 608 |
| 55 | 335 |
| 65 | 195 |
| 75 | 103 |
| 85 | 0 |
| 90 | 0 |

LUMINANCE DATA*

| Vertical Angle | Average |
|----------------|---------|
| 45° | 83297 |
| 55° | 56580 |
| 65° | 44699 |
| 75° | 38553 |
| 85° | 0 |

*Candela/Square Meter

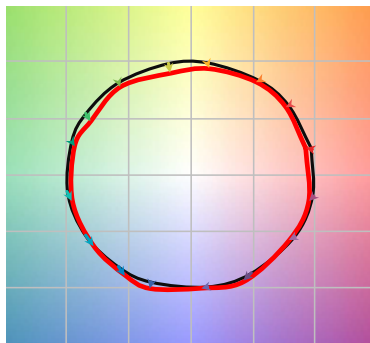
LUMEN MULTIPLIER

| Option | 27K8 | 30K8 | 35K8 | 40K8 | 50K8 | 27K9 | 30K9 | 35K9 | 40K9 |
|------------|------|------|------|------|------|------|------|------|------|
| Multiplier | 0.94 | 0.98 | 1.00 | 1.01 | 1.02 | 0.81 | 0.84 | 0.85 | 0.85 |

Photometrics are published below at a nominal 3500 Kelvin, 80+ CRI. This table may be used to approximate the lumen values at different Kelvin temperatures. Power consumption would stay the same.

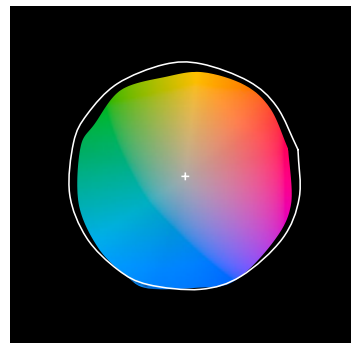
TM-30 DATA

COLOR VECTOR GRAPHIC 3500K, 90 CRI



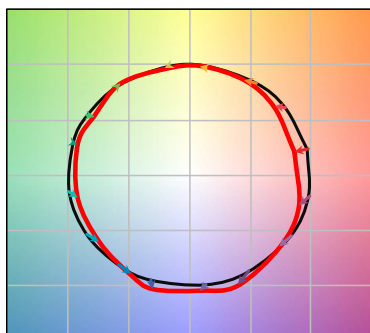
— Reference Illuminant — Test Source

COLOR DISTORTION GRAPHIC 3500K, 90 CRI



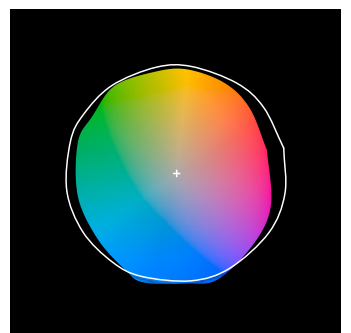
| TEST RESULTS - 3500K | | |
|----------------------|---------|---------|
| Value | 80+ CRI | 90+ CRI |
| R _t | 84 | 88 |
| R _g | 95 | 95 |
| CCT (K) | 3411 | 3419 |
| D _{uv} | 0.0015 | 0.0042 |
| x | 0.4120 | 0.4147 |
| y | 0.3974 | 0.4052 |
| CIE R _a | 84 | 93 |
| CIE R _g | 11 | 62 |

COLOR VECTOR GRAPHIC 3500K, 80 CRI



— Reference Illuminant — Test Source

COLOR DISTORTION GRAPHIC 3500K, 80 CRI





DATE: _____ | LOCATION: _____

TYPE: _____ | PROJECT: _____

CATALOG #: _____

LTR-4SQWPH Lens

LITEISTRY 4" SQUARE LENSED WALL WASH WITH POWERHUBB™

ELECTRICAL DATA

| WATTAGE DATA | | |
|--------------|----------------|---------|
| Lumen Output | Nominal Lumens | WATTAGE |
| 06L | 600 | 8 |
| 10L | 1000 | 12 |
| 15L | 1500 | 19 |
| 20L | 2000 | 23 |
| 25L | 2500 | 28 |
| 30L | 3000 | 35 |
| 35L | 3500 | 43 |
| 40L | 4000 | 52 |

* Wattage may vary based on configuration and options selected

ADDITIONAL INFORMATION

PowerHUBB™ 

Hubbell Control Solutions' PowerHUBB™ is an enterprise-level Power over Ethernet (PoE) lighting and control platform that seamlessly integrates luminaires, sensors, user interfaces and software for a scalable intelligent building control solution.

See separate [PowerHUBB™ In-Fixture Solutions Guide](#) and [Hubbell Control Solutions PowerHUBB Brochure](#) for more details.

All product and company names, logos and product identifiers are trademarks ™ or registered trademarks ® of Hubbell Lighting, Inc. or their respective owners. Use of them does not necessarily imply any affiliation with or endorsement by such respective owners.