

# LTR-6GRAPH

LITEISTRY 6" ROUND ADJUSTABLE WITH POWERHUBB™

## LITEISTRY™

### FEATURES

- 6" architectural LED adjustable accent delivering 600–3500 lm
- Four beam distributions from 15° to 45°
- Translating center beam optic allows 0–35° vertical tilt, 362° horizontal rotation
- Select from three lower trim styles: Angle Cut Cone, Pinhole or Slot
- Accommodates up to two lens media including hexcell louver and linear spread options
- PowerHUBB™ enables low-voltage wired connectivity for Power over Ethernet (PoE) network system deployment



### RELATED PRODUCTS

[Ø 3" LITEISTRY Family](#)

[Ø 4" LITEISTRY Family](#)

[Ø 6" LITEISTRY Family](#)



### CONTROL TECHNOLOGY



### SPECIFICATIONS

#### CONSTRUCTION

- Standard Non-IC or optional IC.
- Painted black enclosed steel platform with tool-less top access and pre-installed bar hangers
- Smooth friction adjustment with 0–35° vertical tilt, 362° horizontal rotation without tools
- Precise hot aiming capability, securely locks with thumbscrews for dependable control

#### OPTICS

- Translating center beam optic ensures full beam optimization from 0.50" to 0.25" ceiling thickness
- Proprietary twist-and-lock upper reflector with diffusion film provides 15°, 25°, 35° or 45° beam distributions
- Optional accessory lens media including linear spread and hexcell louver (order separately)
- Upper reflector can accommodate up to two additional lens media up to 0.25" max. thickness
- Provides dramatic, crisp highlights without distracting rings or excessive spill light
- Standard angle cut cone: High purity spun aluminum reflector, self-flanged in a large selection of anodized finishes and colors
- Flush mount flange option with mud-in ring available

#### OPTICS CONTINUED

- Large selection of anodized finishes and colors
- Painted cones and flange options available
- Optional pinhole or slot lower trim styles are available (painted finishes only)

#### ELECTRICAL

- Chip-on-board LED with 2 SDCM
- Multiple CCTs, 80+ or 90+ CRI
- Long LED life: L90 at > 55,000 hours (TM-21)
- PowerHUBB™ enables low-voltage wired connectivity for Power over Ethernet (PoE) network system deployment
- EMI Filtering (FCC 47 CFR Part 15) Class A

#### INSTALLATION

- Accommodates ceiling thickness up to 1.25"
- Universal adjustable mounting brackets also accept 0.50" EMT conduit or 1.50" or 0.75" lathing channel (by others) or Prescolite accessory bar hangers (B24 or B6)
- Light Engine serviceable from above or below ceiling. Top access required for PowerHUBB node replacement

#### CERTIFICATIONS

- cCSAus certified to UL 2108
- Suitable for damp locations
- This product qualifies as a "designated country construction material" per FAR 52.225-11 Buy American-Construction. Materials under Trade Agreements effective 6/6/2020. See [Buy American Solutions](#).

#### WARRANTY

- 5 year warranty
- See [HLI Standard Warranty](#) for additional information

KEY DATA	
Lumen Range	600-3500
Wattage Range	8-43
Efficacy Range (LPW)	77-87*
Reported Life (Hours)	L90 / >55,000
Input Current (mA)	N/A

\*Based on Specular, 35K, 80 CRI

# LTR-6GRAPH

LITEISTRY 6" ROUND ADJUSTABLE WITH POWERHUBB™

DATE: \_\_\_\_\_ LOCATION: \_\_\_\_\_

TYPE: \_\_\_\_\_ PROJECT: \_\_\_\_\_

CATALOG #: \_\_\_\_\_

## ORDERING GUIDE

Example: LTR-6GRAPH-H-10L35K8NR-PMC-LTR-6RA-T-SSCG

CATALOG #

### HOUSING

LTR-6GRAPH-H													
Aperture/Shape/Function		Lumen Output		CCT		CRI		Distribution		PowerHUBB Node		Housing Options	
LTR-6GRAPH-H	6" Round Adjustable New Construction Housing	06L	600	27K	2700K	8	80+ CRI	NR	Narrow 15° <sup>8</sup>	PM	PowerHUBB™, On/Off/1% Dim, Master	IC	IC rated <sup>5</sup>
		10L	1000	30K	3000K	9	90+ CRI	MD	Medium 25°				
		15L	1500	35K	3500K			WD	Wide 35°				
		20L	2000	40K	4000K			XW	Extra Wide 45°				
		25L	2500	50K	5000K <sup>1</sup>								
		30L	3000										
		35L	3500										
									PMC	PowerHUBB™, On/Off/1% Dim, Control Inputs, Master			
									PS	PowerHUBB™, On/Off/1% Dim, Satellite			
									PSC	PowerHUBB™, On/Off/1% Dim, Control Inputs, Satellite			

### TRIM

LTR-6RA-T											
Aperture/Shape/Function		Lower Trim Style	Reflector Finish	Reflector Color		Flange Color Options		Lower Trim Options	Reflector Options		
LTR-6RA-T	6" Round Adjustable Trim Assembly	<i>Standard Angle Cut Cone</i>		<i>Finish not applicable with painted reflectors (WC or BC)</i>		<i>Standard Clear</i>		<i>Standard matches reflector color</i>			
		PH	Pinhole <sup>6</sup>	S	Specular	CG	Champagne Gold	FM	Flush Mount Mud-in Ring <sup>4</sup>	AM	Antimicrobial Coating <sup>3</sup>
		SLT	Slot <sup>6</sup>	SS	Semi-Specular	BL	Black	WT	White Flange <sup>3</sup>		
			MFC	American Matte™	LW	Light Wheat	BT	Black Flange <sup>3</sup>			
			VS	Softglow®	PW	Pewter					
			VSS	SoftSheen™	WC	Painted White Cone and Flange					
					BC	Painted Black Cone and Flange					

### Accessories

- B24** Set of two (2) 24" bar hangers for T-bar ceilings
- B6** Set of two bar hangers for ceiling joist up to 24" centers
- FMR6-R** Flush Mount Mud-In Ring, 6" Round
- MOR6-R-WH** Metal Oversized Ring, 6" Round, White (10" outside diameter)
- MOR6-R-BL** Metal Oversized Ring, 6" Round, Black (10" outside diameter)

### Lens/Media Accessories<sup>7</sup>

- LL4** Linear Spread Lens for 4" and 6" (MD, WD, XW)<sup>7</sup>
- LL4-NR** Linear Spread Lens for 4" and 6" (NR only)<sup>7</sup>
- PL4** Prismatic Lens for 4" and 6" (MD, WD, XW)<sup>7</sup>
- PL4-NR** Prismatic Lens for 4" and 6" (NR only)<sup>7</sup>
- SOL4** Solite Lens for 4" and 6" (MD, WD, XW)<sup>7</sup>
- SOL4-NR** Solite Lens for 4" and 6" (NR only)<sup>7</sup>
- HL4** Hexcell Louver Black for 4" and 6" (MD, WD, XW)<sup>7</sup>
- HL4-NR** Hexcell Louver Black for 4" and 6" (NR only)<sup>7</sup>

#### Notes:

- 1 5000K available in 80+ CRI only.
- 2 WT not needed for WC, BT not needed for BC.
- 3 AM available with WC or Specular Clear (S or SWT). Consult factory for other colors.
- 4 Flush Mount Flange (FM) requires FMR accessory (sold separately).
- 5 IC available up to 20L.
- 6 Pinhole and Slot available only in WC or BC painted colors.
- 7 Lens holder supplied with fixture accommodates up to 2 media (0.25" max. total thickness).
- 8 Narrow (NR) restricted to 20L or below.



# LTR-6GRAPH

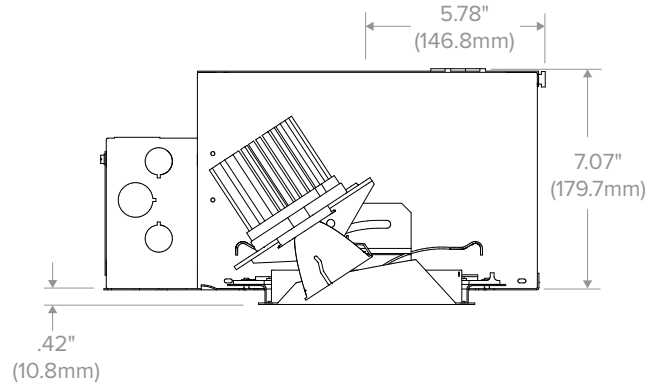
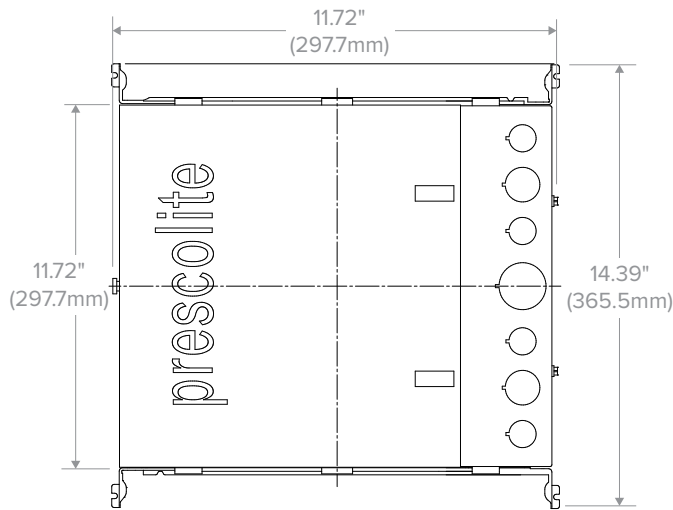
LITEISTRY 6" ROUND ADJUSTABLE WITH POWERHUB™

DATE: \_\_\_\_\_ LOCATION: \_\_\_\_\_

TYPE: \_\_\_\_\_ PROJECT: \_\_\_\_\_

CATALOG #: \_\_\_\_\_

## DIMENSIONS



Dimensional Data		
Aperture		5.75" (146.1mm)
Flange	Standard	7.00" (177.8mm)
	Flush Mount	6.54" (166.0mm)
Ceiling Cutout	Standard	6.75" (171.5mm)
	Flush Mount	6.75" (171.5mm)
Ceiling Thickness		0.50" to 1.25" 12.7mm to 31.8mm)

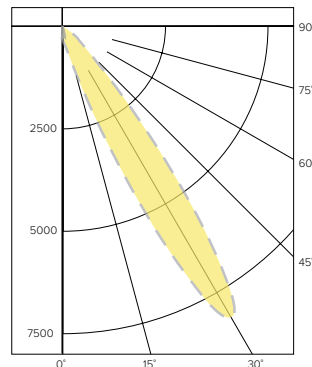
## PHOTOMETRY

LTR-6GRAPH-H-20L35K8NR-DM1 / LTR-6RA-T-S

### LUMINAIRE DATA

Test No.	R19.01220-01
Description	2000 lm, Narrow, 3500K, 80 CRI
Delivered Lumens	1786
Watts	23.2W
Efficacy	76.9
Mounting	Recessed
Beam Angle (FWHM)	15

### POLAR GRAPH



### CANDELA DISTRIBUTION

Degree	Candela
0	518
5	706
15	1696
25	10130
35	10600
45	1807
55	495
65	15
75	2
85	0
90	0

### LUMINANCE DATA\*

Vertical Angle	Average
45°	152539
55°	51513
65°	2119
75°	461
85°	0

\*Candela/Square Meter

### ZONAL LUMEN SUMMARY

Zone	Lumens	% Luminaire
0-40	1467	82.1
0-60	1782	99.7
0-90	1786	100.0
0-180	1786	100.0

# LTR-6GRAPH

LITEISTRY 6" ROUND ADJUSTABLE WITH POWERHUB™

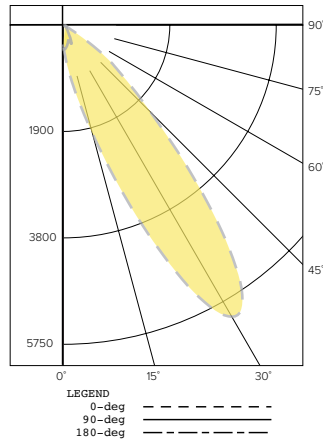
## PHOTOMETRY CONTINUED

### LTR-6GRAPH-H-20L35K8MD-DM1 / LTR-6RA-T-S

#### LUMINAIRE DATA

Test No.	R19.01338-01
Description	2000 lm, Medium, 3500K, 80 CRI
Delivered Lumens	1956
Watts	22.1W
Efficacy	88.4
Mounting	Recessed
Beam Angle (FWHM)	24

#### POLAR GRAPH



#### CANDELA DISTRIBUTION

Degree	Candela
0	479
5	894
15	2583
25	6424
35	6983
45	2813
55	733
65	30
75	3
85	0
90	0

#### LUMINANCE DATA\*

Vertical Angle	Average
45°	237461
55°	76282
65°	4237
75°	692
85°	0

\*Candela/Square Meter

#### ZONAL LUMEN SUMMARY

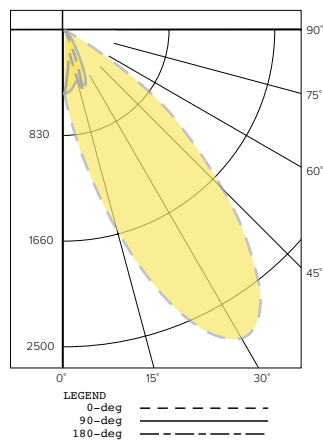
Zone	Lumens	% Luminaire
0-40	1480	75.7
0-60	1947	99.5
0-90	1956	100.0
0-180	1956	100.0

### LTR-6GRAPH-H-20L35K8WD-DM1 / LTR-6RA-T-S

#### LUMINAIRE DATA

Test No.	R19.01339-01
Description	2000 lm, Wide, 3500K, 80 CRI
Delivered Lumens	1932
Watts	22.1W
Efficacy	87.3
Mounting	Recessed
Beam Angle (FWHM)	36

#### POLAR GRAPH



#### CANDELA DISTRIBUTION

Degree	Candela
0	698
5	1080
15	2324
25	3664
35	3776
45	2468
55	1012
65	75
75	4
85	0
90	0

#### LUMINANCE DATA\*

Vertical Angle	Average
45°	208337
55°	105316
65°	10593
75°	923
85°	0

\*Candela/Square Meter

#### ZONAL LUMEN SUMMARY

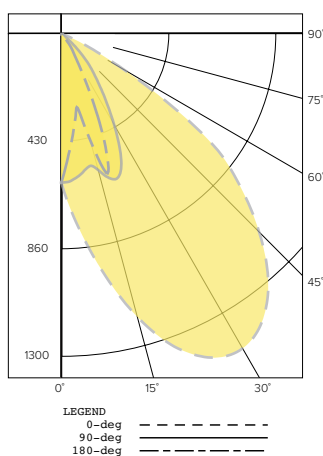
Zone	Lumens	% Luminaire
0-40	1365	70.7
0-60	1911	98.9
0-90	1932	100.0
0-180	1932	100.0

### LTR-6GRAPH-H-20L35K8XW-DM1 / LTR-6RA-T-S

#### LUMINAIRE DATA

Test No.	R19.01186-01
Description	2000 lm, Extra Wide, 3500K, 80 CRI
Delivered Lumens	1944
Watts	22.5W
Efficacy	86.5
Mounting	Recessed
Beam Angle (FWHM)	52

#### POLAR GRAPH



#### CANDELA DISTRIBUTION

Degree	Candela
0	882
5	1146
15	1731
25	2118
35	2086
45	1673
55	1020
65	173
75	8
85	0
90	0

#### LUMINANCE DATA\*

Vertical Angle	Average
45°	141227
55°	106149
65°	24435
75°	1845
85°	0

\*Candela/Square Meter

#### ZONAL LUMEN SUMMARY

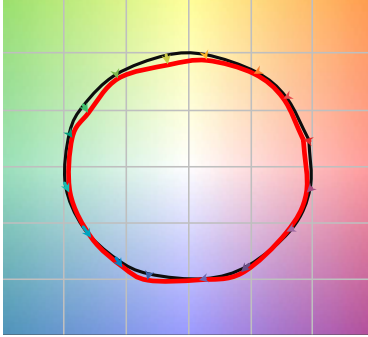
Zone	Lumens	% Luminaire
0-40	1319	67.8
0-60	1898	97.6
0-90	1944	100.0
0-180	1944	100.0

# LTR-6GRAPH

LITEISTRY 6" ROUND ADJUSTABLE WITH POWERHUBB™

## TM-30 DATA

COLOR VECTOR GRAPHIC  
3500K, 90 CRI



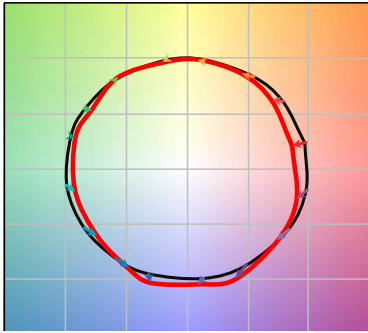
— Reference Illuminant — Test Source

COLOR DISTORTION GRAPHIC  
3500K, 90 CRI



TEST RESULTS - 3500K		
Value	80+ CRI	90+ CRI
$R_t$	84	88
$R_g$	95	95
CCT (K)	3411	3419
$D_{uv}$	0.0015	0.0042
x	0.4120	0.4147
y	0.3974	0.4052
CIE $R_a$	84	93
CIE $R_g$	11	62

COLOR VECTOR GRAPHIC  
3500K, 80 CRI



— Reference Illuminant — Test Source

COLOR DISTORTION GRAPHIC  
3500K, 80 CRI



## ELECTRICAL DATA

WATTAGE DATA		
Lumen Output	Nominal Lumens	WATTAGE
06L	600	8
10L	1000	12
15L	1500	19
20L	2000	23
25L	2500	28
30L	3000	35
35L	3500	43

\* Wattage may vary based on configuration and options selected

## ADDITIONAL INFORMATION

### PowerHUBB™ POWERHUBB™ PoE LIGHTING & CONTROL

Hubbell Control Solutions' PowerHUBB™ is an enterprise-level Power over Ethernet (PoE) lighting and control platform that seamlessly integrates luminaires, sensors, user interfaces and software for a scalable intelligent building control solution.

See separate [PowerHUBB™ In-Fixture Solutions Guide](#) and [Hubbell Control Solutions PowerHUBB Brochure](#) for more details.

All product and company names, logos and product identifiers are trademarks ™ or registered trademarks ® of Hubbell Lighting, Inc. or their respective owners. Use of them does not necessarily imply any affiliation with or endorsement by such respective owners.