

LTC-6RDW

LITEISTRY 6" ROUND CYLINDER

LITEISTRY™

FEATURES

- 6" architectural LED downlight and wall wash cylinder delivering 600 - 7000 lm
- Five beam distributions from 0.3 to 1.1 Spacing Criteria
- Quiet reflector appearance with 50° optical cutoff
- 2700K - 5000K, 80+ and 90+ CRI options
- Available in Surface, Wall, Pendant, or Cord Mount configurations
- Variety of dimming protocol options including 0-10V, DALI, DMX, Forward Phase and EcoSystem



RELATED PRODUCTS

- ∅ LTC-6RDW SpectraSync
- ∅ LTC-6RDWPH PowerHUBB
- ∅ 3" LITEISTRY Family
- ∅ 4" LITEISTRY Family
- ∅ 6" LITEISTRY Family



CONTROL TECHNOLOGY



SPECIFICATIONS

CONSTRUCTION

- Seamless heavy gauge aluminum cylinder body with a clean appearance
- Select from 4 durable powder coat paint architectural finishes or Brushed Aluminum
- Available in Surface, Wall, Pendant, or Cable/Cord mounting options
- Wall Mount: One piece die cast aluminum mounting arm
- Pendant Mount: Swivel canopy allows sloped ceiling mounting up to 45 degrees
- Integral driver versions allow direct mounting to a standard 4" octagonal or square junction box
- Some configurations require remote mount driver assembly (see line art)

OPTICS

- Visually pleasing 50° cutoff to source and source image
- The light distribution is free of distracting bright spots or pixelation and the perimeter has a smooth transition
- Optical grade silicone lens integral to light engine
- High purity spun aluminum reflector, self-flanged
- Large selection of anodized finishes and colors
- Painted cones and flange options available

ELECTRICAL

- Chip-on-board (COB) LED with 2 SDCM
- Multiple CCTs, 80+ or 90+ CRI
- Long LED life: L90 at >55,000 (TM-21)
- Universal voltage 120V-277V driver, 347V optional
- UL Class 2, inherent short circuit and overload protection, RoHS compliant
- Flicker free 0-10V dimming with 1% or <1% performance
- DALI, DMX, and Lutron Forward Phase and EcoSystem options

INSTALLATION

- Light Engine/Trim assembly is mechanically secured with torsion springs for ease of installation
- A quick connect is provided for easy maintenance or upgrade
- Remote mount driver/jbox assembly requires 6" plenum clearance
- Remote driver is accessible from above or below the ceiling
- NX or Lutron Vive control options available
- Refer to additional spec sheets for information on SpectraSync™ Tunable White or Dim-to-Warm or PowerHUBB™ PoE enabled solutions

CERTIFICATIONS

- cCSAus certified to UL 1598
- Wall Mount up to 55L: Suitable for wet locations
- Pendant Mount up to 55L: Suitable for wet locations under covered ceiling
- 60L-70L Pendant & Wall, all Surface, Cord Mount and all Wall Wash: Suitable for damp locations
- This product qualifies as a "designated country construction material" per FAR 52.225-11 Buy American-Construction. Materials under Trade Agreements effective 6/6/2020. See [Buy American Solutions](#).

WARRANTY

- 5 year warranty
- See [HLI Standard Warranty](#) for additional information

KEY DATA	
Lumen Range	600-7000
Wattage Range	8-72
Efficacy Range (LPW)	94-104*
Reported Life (Hours)	L90 / >55,000
Input Current (mA)	67-600 (120V)

*Based on Specular, 35K, 80 CRI



LTC-6RDW

LITEISTRY 6" ROUND CYLINDER

DATE: _____ LOCATION: _____

TYPE: _____ PROJECT: _____

CATALOG #: _____

ORDERING GUIDE

Example: LTC-6RD-P-15L35K9WD-DM1-SS-WH

CATALOG #

LTC-6RD											
Aperture/Shape/Function		Cylinder Mounting		Lumen Output		CCT	CRI	Distribution			
LTC-6RD	6" Round Downlight Cylinder	S	Surface	06L	600 Lumens	27K	2700K	8	80+ CRI	VNR	Very Narrow (0.3 SC/18") ¹⁰
LTC-6RW	6" Round Wall Wash Cylinder	W	Wall	10L	1000 Lumens	30K	3000K	9	90+ CRI	NR	Narrow (0.5 SC/29")
		P	Pendant (18" Stem Standard)	15L	1500 Lumens	35K	3500K			MD	Medium (0.6 SC/37")
		CM	Cable/Cord (6 ft. Cord Standard) ⁵	20L	2000 Lumens	40K	4000K			WD	Wide (0.9 SC/59")
				25L	2500 Lumens	50K	5000K ¹			XW	Extra Wide (1.1 SC/76")
				30L	3000 Lumens					WW	Wall Wash
				35L	3500 Lumens						
				40L	4000 Lumens						
				45L	4500 Lumens						
				50L	5000 Lumens						
				55L	5500 Lumens						
				60L	6000 Lumens ⁸						
				70L	7000 Lumens ⁸						

Driver Options ³		Control Options ^{3,7}		Voltage		Reflector Finish		Reflector Color		Flange Color Options	
DM1	0-10V Dimming to 1% ⁹	NXE	NX Enabled, Dual SmartPorts ²	<i>Standard</i> 120-277V		<i>Finish not applicable with painted reflectors (WC or BC)</i>		<i>Standard Clear</i>		<i>Standard matches reflector color</i>	
DM01	0-10V Dimming to <1%	NXWE	NX Wireless Enabled ²	34	347V ^{3,6}	S	Specular	CG	Champagne Gold	WT	White Flange ⁴
DMX	DMX with RDM dimming to <0.1% ⁷	NXWD	NX Wireless Enabled, Dual SmartPorts ²			SS	Semi-Specular	LW	Light Wheat	BT	Black Flange ⁴
DALI	DALI Dimming to 1%					MFC	American Matte™	PW	Pewter		
2DM	Lutron Hi-Lume 2-wire Dimming to 1% (120V Forward Phase only)	LV	Lutron Vive Enabled, 0-10V (requires DM1 driver)			VS	Softglow®	WC	Painted White Cone and Flange		
EDM	Lutron Hi-Lume EcoSystem Dimming to 1%	LVE	Lutron Vive Enabled, EcoSystem, (requires EDM)			VSS	SoftSheen™	BC	Painted Black Cone and Flange		

Exterior Cylinder Color

- BA** Brushed Aluminum
- BZ** Bronze
- BL** Matte Black
- WH** Matte White
- SVR** Silver

Notes:

- 1 5000K available in 80+ CRI only.
- 2 NX requires DM1 driver.
- 3 For lumen outputs/configurations available, see chart on page 3.
- 4 WT not needed for WC, BT not needed for BC.
- 5 CM standard cord color is Clear.
- 6 347V requires DM1 driver option; Not available with Controls.
- 7 Controls not available with wall mount (W); S, P, CM with DMX or controls options require remote driver, see line art for details.
- 8 60L and 70L require vented cylinder.
- 9 DM1 on >60L is 0-10V to 5% dimming.
- 10 VNR not available with IC or CP options.



LTC-6RDW

LITEISTRY 6" ROUND CYLINDER

DATE: _____ LOCATION: _____

TYPE: _____ PROJECT: _____

CATALOG #: _____

DRIVER/CONTROL OPTION AVAILABILITY

Driver and Control options listed below are available in the configurations and lumen packages as shown.

Driver/Control Option		Cylinder Mounting ¹	Integral Remote Driver ¹	06L	10L	15L	20L	25L	30L	35L	40L	45L	50L	55L	60L	70L ⁴
DM1	0-10V 1% ⁴	W	Integral	●	●	●	●	●	●	●	●	●	●	●	▼	▼
		S/P/CM	Integral	●	●	●	●	●	●	●	●	●	●	●	●	▼
DM01	0-10V <1%	W	Integral	●	●	●	●	●								
		S/P/CM	Integral	●	●	●	●	●								
DALI	DALI 1%	W	Integral	●	●	●	●	●								
		S/P/CM	Integral	●	●	●	●	●								
DMX	DMX w/ RDM <0.1%	W	Integral		●	●	●	●	●	●						
		S/P/CM	Remote (IC Rated)		●	●										
2DM	Lutron Hi-Lume 2-wire 1%	W	Integral		●	●	●	●								
		S/P/CM	Integral		●	●	●	●								
EDM	Lutron Hi-Lume EcoSystem 1%	W	Integral		●	●	●	●	●							
		S/P/CM	Integral		●	●	●	●	●							
347V ³	347 Volts (DM1 required)	W	Integral		●	●	●	●	●	●	●	●	●	●	●	▼
		S/P/CM	Integral		●	●	●	●	●	●	●	●	●	●	●	▼

NX (All)	NX (DM1 required)	W	N/A													
		S/P/CM	Remote (Non-IC)	●	●	●	●									
LV	Lutron Vive® (DM1 required)	W	N/A													
		S/P/CM	Remote (IC Rated)	●	●	●	●									
LVE	Lutron Vive® (EDM required)	W	N/A													
		S/P/CM	Remote (Non-IC)		●	●	●									

- ▼ Vented cylinder required, see line art for more details.
- 1 See Cylinder Mounting chart for details.
- 2 See line art for more details.
- 3 Not available with Controls.
- 4 70L DM1 option is 0-10V to 5%.

Cylinder Mounting	
W	Wall Mount
S	Surface Mount
CM	Cable/Cord Mount
P	Pendant Mount

CONTROLS

NX Distributed Intelligence™ Lighting Controls:

Supports applications in a variety of deployment options- wired, wireless, hybrid. Integrates with and enables a wide array of luminaires including those with SpectraSync™ Color Tuning Technology.



NX INTEGRATED CONTROLS REFERENCE								
NX Option	Sensor	Networkable	Scheduling	Occupancy	Daylight Harvesting	0-10V Dimming	On/off Control	Bluetooth® App Programming
NX Networked – Wired								
NXE	N/A	Yes	Yes	No	No	Yes	Yes	Requires NXBTC/R ¹
NX Networked – Wireless								
NXWE ²	N/A	Yes	Yes	No	No	Yes	Yes	No ³
NX Networked – Wired/Wireless								
NXWD	N/A	Yes	Yes	No	No	Yes	Yes	Requires NXBTC/R ^{1,3}

- 1 NXBTC/R needs to be plugged into an available NX SmartPort™ on the fixture network
- 2 Programming via App requires factory assistance
- 3 To program NXWE option, need to consult factory. If connected to an area controller, programming can be done from that



LTC-6RDW

LITEISTRY 6" ROUND CYLINDER

DATE: _____ LOCATION: _____

TYPE: _____ PROJECT: _____

CATALOG #: _____

PERFORMANCE DATA TABLE

Performance data provided below is for 3500K, 80 CRI with Specular Clear reflector finish/color

Lumen Package	Nominal Lumens	Distribution	Delivered Lumens	Watts	LPW
06L	600	Very Narrow	806	7.8	103
		Narrow	717	7.8	92
		Medium	746	7.8	96
		Wide	691	7.8	89
		Extra Wide	665	7.8	85
		Open Single Wall Wash	711	7.8	91
10L	1000	Very Narrow	1288	12.0	107
		Narrow	1146	12.0	96
		Medium	1192	12.0	99
		Wide	1104	12.0	92
		Extra Wide	1063	12.0	89
		Open Single Wall Wash	1136	12.0	95
15L	1500	Very Narrow	1851	18.7	99
		Narrow	1623	18.7	87
		Medium	1712	18.7	92
		Wide	1586	18.7	85
		Extra Wide	1527	18.7	82
		Open Single Wall Wash	1631	18.7	87
20L	2000	Very Narrow	2355	22.6	104
		Narrow	2263	22.7	100
		Medium	2265	22.6	100
		Wide	2180	22.7	96
		Extra Wide	2139	22.7	94
		Open Single Wall Wash	2211	22.8	97
25L	2500	Very Narrow	3093	27.7	112
		Narrow	2751	27.7	99
		Medium	2860	27.7	103
		Wide	2650	27.7	96
		Extra Wide	2551	27.7	92
		Open Single Wall Wash	2726	27.7	98
30L	3000	Very Narrow	3686	34.3	107
		Narrow	3278	34.3	96
		Medium	3409	34.3	99
		Wide	3158	34.3	92
		Extra Wide	3040	34.3	89
		Open Single Wall Wash	3248	34.3	95
35L	3500	Very Narrow	4477	43.0	104
		Narrow	3942	43.0	93
		Medium	4477	43.0	104
		Wide	3836	43.0	89
		Extra Wide	3693	43.0	86
		Open Single Wall Wash	3946	43.0	92



LTC-6RDW

LITEISTRY 6" ROUND CYLINDER

DATE: _____ LOCATION: _____

TYPE: _____ PROJECT: _____

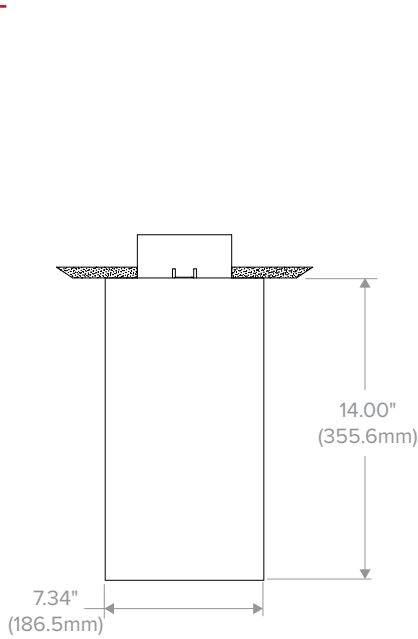
CATALOG #: _____

PERFORMANCE DATA TABLE CONTINUED

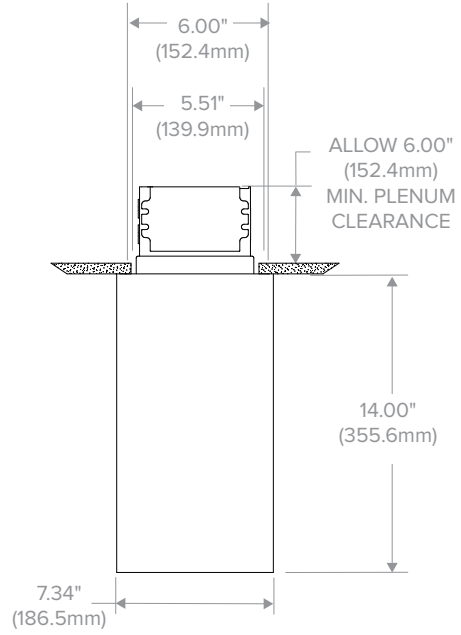
Performance data provided below is for 3500K, 80 CRI with Specular Clear reflector finish/color

Lumen Package	Nominal Lumens	Distribution	Delivered Lumens	Watts	LPW
40L	4000	Very Narrow	5117	51.6	99
		Narrow	4552	51.6	88
		Medium	4733	51.6	92
		Wide	4385	51.6	85
		Extra Wide	4221	51.6	82
		Open Single Wall Wash	4510	51.6	87
45L	4500	Very Narrow	5371	55.1	98
		Narrow	4775	55.1	87
		Medium	4967	55.1	90
		Wide	4602	55.1	84
		Extra Wide	4430	55.1	80
		Open Single Wall Wash	4734	55.1	86
50L	5000	Very Narrow	5740	48.7	118
		Narrow	5105	48.7	105
		Medium	5308	48.7	109
		Wide	4918	48.7	101
		Extra Wide	4734	48.7	97
		Open Single Wall Wash	5059	48.7	104
55L	5500	Very Narrow	6365	53.9	119
		Narrow	5662	53.9	105
		Medium	5887	53.9	109
		Wide	5454	53.9	101
		Extra Wide	5250	53.9	97
		Open Single Wall Wash	5610	53.9	104
60L	6000	Very Narrow	7090	60.7	117
		Narrow	6299	60.7	104
		Medium	6557	60.7	108
		Wide	6075	60.7	100
		Extra Wide	5848	60.7	96
		Open Single Wall Wash	6249	60.7	103
70L	7000	Very Narrow	8266	72.1	115
		Narrow	7353	72.1	102
		Medium	7645	72.1	106
		Wide	7083	72.1	98
		Extra Wide	6819	72.1	95
		Open Single Wall Wash	7285	72.1	101

DIMENSIONS

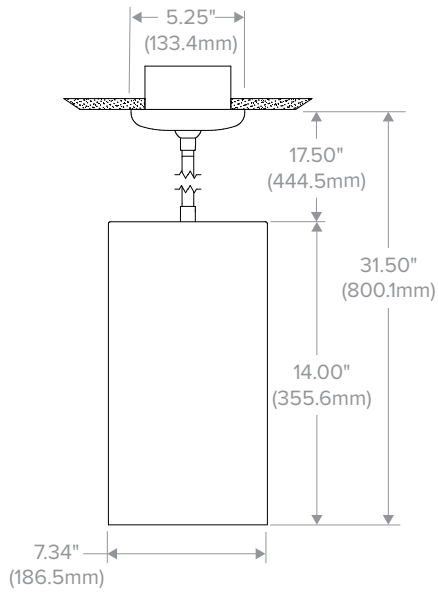


Integral Driver

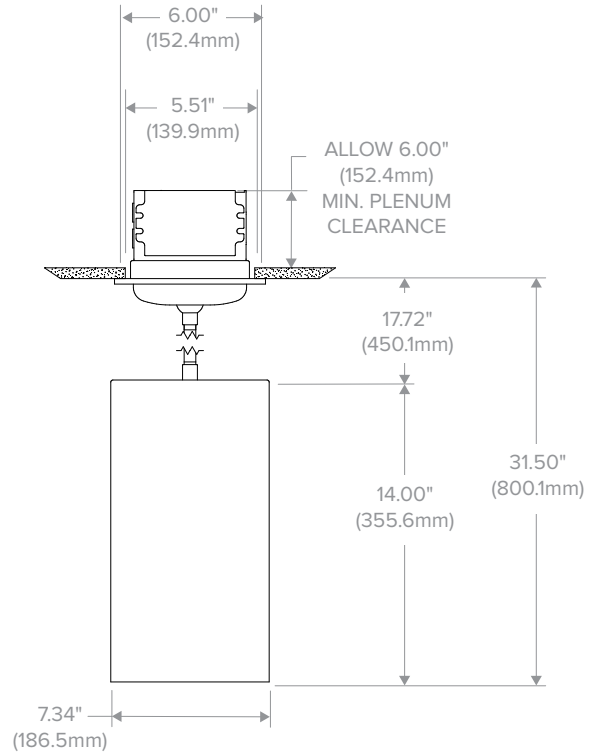


Remote Driver
For DMX, all NX or Lutron Vive Controls

Surface (-S)



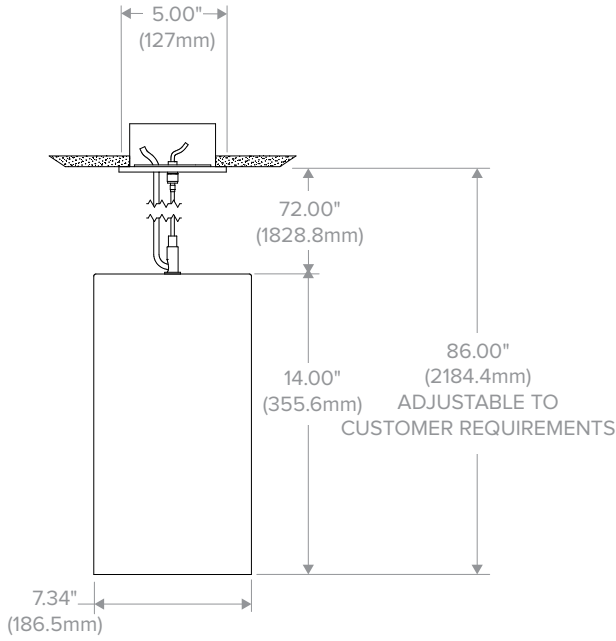
Integral Driver



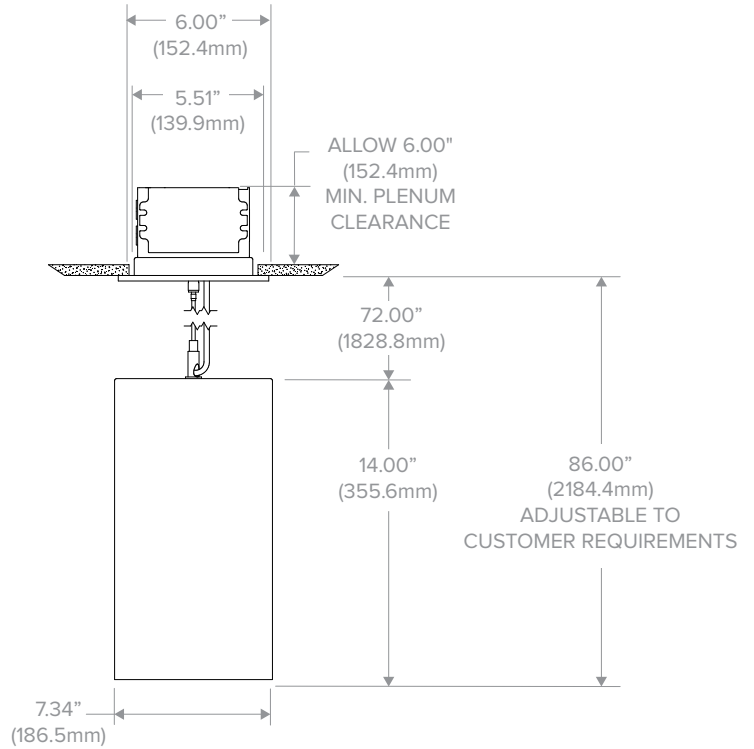
Remote Driver
For DMX, all NX or Lutron Vive Controls

Pendant (-P)

DIMENSIONS CONTINUED

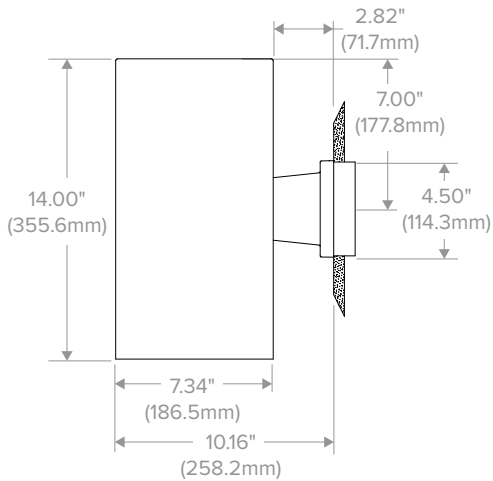


Integral Driver



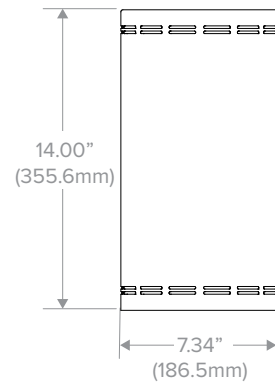
Remote Driver
For all NX or Lutron Vive Controls

Cord (-CM)



Integral Driver

Wall (-W)



Vented Detail View
(60L & 70L)
(All Mountings)

LTC-6RDW

LITEISTRY 6" ROUND CYLINDER

PHOTOMETRY

LTC-6RD-P-20L35K8VNR-DM1-S-BL

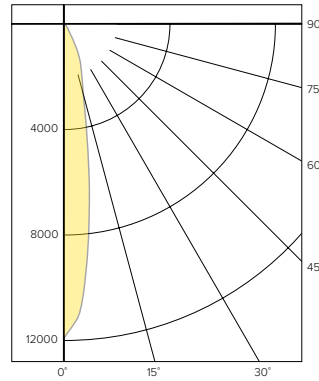
LUMINAIRE DATA

Test No.	R19.00588-C01
Description	2000 lm, Very Narrow, 3500K, 80 CRI
Delivered Lumens	2355
Watts	22.6W
Efficacy	104.0
Mounting	Pendant
Spacing Criterion	0.3
Beam Angle (FWHM)	18

ZONAL LUMEN SUMMARY

Zone	Lumens	% Luminaire
0-40	2290	97.2
0-60	2355	100.0
0-90	2355	100.0
0-180	2355	100.0

POLAR GRAPH



CANDELA DISTRIBUTION

Degree	Candela
0	11881
5	9399
15	2776
25	1236
35	255
45	74
55	0
65	0
75	0
85	0
90	0

LUMINANCE DATA*

Vertical Angle	Average
45°	6247
55°	0
65°	0
75°	0
85°	0

*Candela/Square Meter

LTC-6RD-P-20L35K8NR-DM1-S-BL

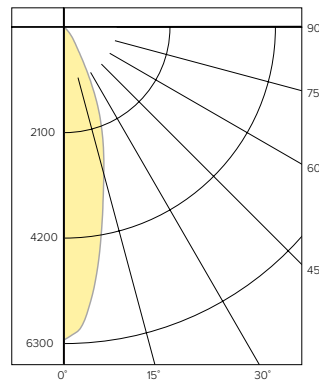
LUMINAIRE DATA

Test No.	R20.01439-C01
Description	2000 lm, Narrow, 3500K, 80 CRI
Delivered Lumens	2263
Watts	22.1W
Efficacy	103.0
Mounting	Pendant
Spacing Criterion	0.5
Beam Angle (FWHM)	29

ZONAL LUMEN SUMMARY

Zone	Lumens	% Luminaire
0-40	2185	96.6
0-60	2260	99.9
0-90	2263	100.0
0-180	2263	100.0

POLAR GRAPH



CANDELA DISTRIBUTION

Degree	Candela
0	6222
5	5603
15	3035
25	1354
35	348
45	83
55	5
65	2
75	1
85	0
90	0

LUMINANCE DATA*

Vertical Angle	Average
45°	6712
55°	498
65°	271
75°	221
85°	0

*Candela/Square Meter

LTC-6RD-P-20L35K8MD-DM1-S-BL

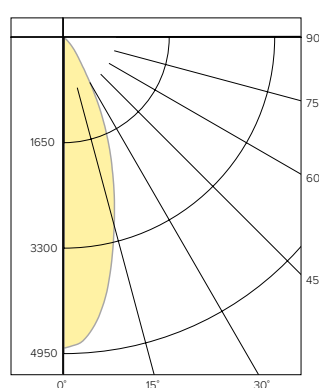
LUMINAIRE DATA

Test No.	R19.00587-01
Description	2000 lm, Medium, 3500K, 80 CRI
Delivered Lumens	2265
Watts	22.6W
Efficacy	100.0
Mounting	Pendant
Spacing Criterion	0.6
Beam Angle (FWHM)	37

ZONAL LUMEN SUMMARY

Zone	Lumens	% Luminaire
0-40	2171	95.9
0-60	2262	99.9
0-90	2265	100.0
0-180	2265	100.0

POLAR GRAPH



CANDELA DISTRIBUTION

Degree	Candela
0	4851
5	4619
15	3007
25	1450
35	386
45	99
55	6
65	2
75	1
85	0
90	0

LUMINANCE DATA*

Vertical Angle	Average
45°	8357
55°	624
65°	282
75°	231
85°	0

*Candela/Square Meter

LTC-6RDW

LITEISTRY 6" ROUND CYLINDER

PHOTOMETRY CONTINUED

LTC-6RD-P-20L35K8WD-DM1-S-BL

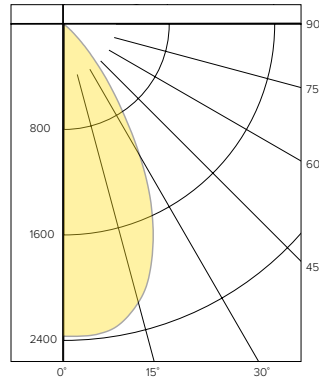
LUMINAIRE DATA

Test No.	R19.00585-01
Description	2000 lm, Wide, 3500K, 80 CRI
Delivered Lumens	2180
Watts	22.6W
Efficacy	96.1
Mounting	Pendant
Spacing Criterion	0.9
Beam Angle (FWHM)	59

ZONAL LUMEN SUMMARY

Zone	Lumens	% Luminaire
0-40	2014	92.4
0-60	2176	99.8
0-90	2180	100.0
0-180	2180	100.0

POLAR GRAPH



CANDELA DISTRIBUTION

Degree	Candela
0	2368
5	2371
15	2189
25	1591
35	726
45	177
55	10
65	3
75	1
85	0
90	0

LUMINANCE DATA*

Vertical Angle	Average
45°	14942
55°	1041
65°	424
75°	231
85°	0

*Candela/Square Meter

LTC-6RD-P-20L35K8XW-DM1-S-BL

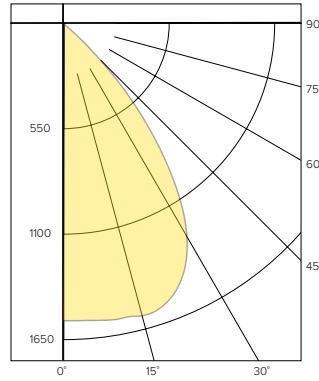
LUMINAIRE DATA

Test No.	R19.00586-01
Description	2000 lm, Extra Wide, 3500K, 80 CRI
Delivered Lumens	2139
Watts	22.7W
Efficacy	94.4
Mounting	Pendant
Spacing Criterion	1.1
Beam Angle (FWHM)	76

ZONAL LUMEN SUMMARY

Zone	Lumens	% Luminaire
0-40	1875	87.7
0-60	2134	99.8
0-90	2139	100.0
0-180	2139	100.0

POLAR GRAPH



CANDELA DISTRIBUTION

Degree	Candela
0	1547
5	1552
15	1576
25	1461
35	1007
45	301
55	9
65	3
75	1
85	0
90	0

LUMINANCE DATA*

Vertical Angle	Average
45°	25409
55°	937
65°	424
75°	231
85°	0

*Candela/Square Meter

LUMEN MULTIPLIER

Option	27K8	30K8	35K8	40K8	50K8	27K9	30K9	35K9	40K9
Multiplier	0.94	0.98	1.00	1.01	1.02	0.81	0.84	0.85	0.85

Photometrics are published below at a nominal 3500 Kelvin, 80+ CRI. This table may be used to approximate the lumen values at different Kelvin temperatures. Power consumption would stay the same.

LTC-6RDW

LITEISTRY 6" ROUND CYLINDER

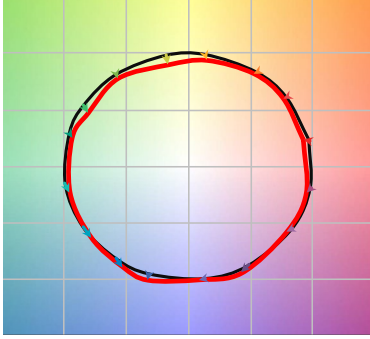
DATE: _____ LOCATION: _____

TYPE: _____ PROJECT: _____

CATALOG #: _____

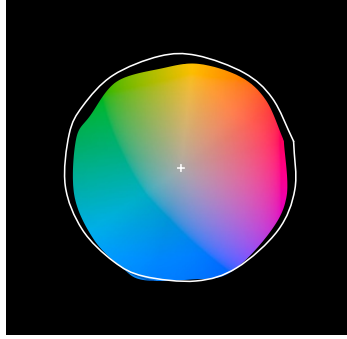
TM-30 DATA

COLOR VECTOR GRAPHIC
3500K, 90 CRI



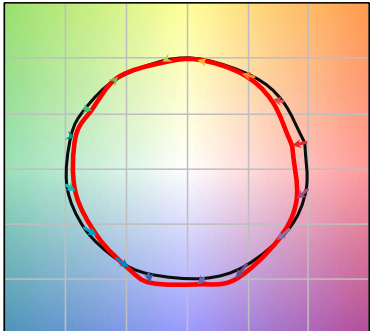
— Reference Illuminant — Test Source

COLOR DISTORTION GRAPHIC
3500K, 90 CRI



TEST RESULTS - 3500K		
Value	80+ CRI	90+ CRI
R_t	84	88
R_g	95	95
CCT (K)	3411	3419
D_{uv}	0.0015	0.0042
x	0.4120	0.4147
y	0.3974	0.4052
CIE R_a	84	93
CIE R_g	11	62

COLOR VECTOR GRAPHIC
3500K, 80 CRI



— Reference Illuminant — Test Source

COLOR DISTORTION GRAPHIC
3500K, 80 CRI





LTC-6RDW

LITEISTRY 6" ROUND CYLINDER

DATE: _____ LOCATION: _____

TYPE: _____ PROJECT: _____

CATALOG #: _____

ELECTRICAL DATA

DRIVER DATA		
Input Voltage	120-277 V	347 V
Input Frequency	50/60 Hz	50/60 Hz
Power Factor	≥0.90	≥0.90
THD	<20%	<20%
EMI Filtering (FCC 47 CFR Part 15)	Class A	Class A

* Values for DM1 option shown, values for other dimming options may vary.

WATTAGE DATA		
Lumen Output	Nominal Lumens	WATTAGE
06L	600	8
10L	1000	12
15L	1500	19
20L	2000	23
25L	2500	28
30L	3000	35
35L	3500	43
40L	4000	52
45L	4500	55
50L	5000	49
55L	5500	54
60L	6000	61
70L	7000	72

* Wattage may vary based on configuration and options selected

ADDITIONAL INFORMATION

DIMMING COMPATIBILITY CHART		
Dimming Driver	Manufacturer	Web Link
DM1 /DM01	Lutron DVTV	http://bit.ly/11jSvZg
DM1	Leviton AWRMG-7xx, AWSMG-7xx, AWSMT-7xx	http://bit.ly/1Bjn2R9
EDM	Lutron	http://bit.ly/1vtjHAI
2DM	Lutron	http://bit.ly/1S4WjXK

DMX

See instruction sheet on www.prescolite.com for connection & installation information.

Central Inverters

For full fixture output in back-up mode, we recommend you visit www.dual-lite.com for your Central Lighting Inverter options. Please contact your local Hubbell representative for any assistance with proper sizing and loading of your inverter selection. Central lighting inverters must be ordered separately.

LiteGear: www.dual-lite.com/products/litegear_lg_series

LPS Series: www.dual-lite.com/products/lps

All product and company names, logos and product identifiers are trademarks ™ or registered trademarks ® of Hubbell Lighting, Inc. or their respective owners. Use of them does not necessarily imply any affiliation with or endorsement by such respective owners.