

# LTR-6RDPH

LITEISTRY 6" ROUND DOWNLIGHT WITH POWERHUBB™

## LITEISTRY™



### FEATURES

- 6" architectural LED downlight delivering 600–4000 lm
- Five beam distributions from 0.3 to 1.1 Spacing Criteria
- Quiet reflector appearance with superior 50° optical cutoff
- 2700K–5000K, 80+ and 90+ CRI options
- Available for New Construction (non-IC) and IC applications
- PowerHUBB™ enables low-voltage wired connectivity for Power over Ethernet (PoE) network system deployment



### RELATED PRODUCTS

- [Ø 3" LITEISTRY Family](#)
- [Ø 4" LITEISTRY Family](#)
- [Ø 6" LITEISTRY Family](#)

### CONTROL TECHNOLOGY



### SPECIFICATIONS

#### CONSTRUCTION

- Standard Non-IC, or optional IC
- New Construction: Painted black durable steel platform with pre-installed bar hangers
- Pre-wired junction box with snap-on covers for easy access
- Snap-in connection from driver compartment allows easy installation
- Light Engine connections use plenum rated (CMP) cable

#### OPTICS

- Visually pleasing 50° cutoff to source and source image
- The light distribution is free of distracting bright spots or pixelation and the perimeter has a smooth transition
- Optical grade silicone lens integral to light engine
- High purity spun aluminum reflector, self-flanged
- Flush Mount flange option with mud-in ring available
- Large selection of anodized finishes and colors
- Painted cones and flange options available

#### ELECTRICAL

- Chip-on-board LED with 2 SDCM
- Multiple CCTs, 80+ or 90+ CRI
- Long life L90: at >55,000 hours (TM-21)
- PowerHUBB™ enables low-voltage wired connectivity for Power over Ethernet (PoE) network system deployment
- EMI Filtering (FCC 47 CFR Part 15) Class A
- Refer to additional spec sheets for information on SpectraSync™ Tunable White or Dim-to-Warm

#### INSTALLATION

- Accommodates ceiling thickness up to 2"
- Universal adjustable mounting brackets also accept 0.50" EMT conduit or 1.50" or 0.75" lathing channel (by others) or Prescolite accessory bar hangers (B24 or B6).
- Light Engine/PowerHUBB node fully serviceable from above or below the ceiling

#### CERTIFICATIONS

- cCSAus certified to UL 2108
- Suitable for wet locations, covered ceiling. EM/EMR: Suitable for damp locations.
- This product qualifies as a "designated country construction material" per FAR 52.225-11 Buy American-Construction. Materials under Trade Agreements effective 6/6/2020. See [Buy American Solutions](#).

#### WARRANTY

- 5 year warranty
- See [HLI Standard Warranty](#) for additional information

KEY DATA	
Lumen Range	600-4000
Wattage Range	8-52
Efficacy Range (LPW)	94-104*
Reported Life (Hours)	L90 / >55,000
Input Current (mA)	N/A

\*Based on Specular, 35K, 80 CRI



# LTR-6RDPH

LITEISTRY 6" ROUND DOWNLIGHT WITH POWERHUBB™

DATE: \_\_\_\_\_ LOCATION: \_\_\_\_\_

TYPE: \_\_\_\_\_ PROJECT: \_\_\_\_\_

CATALOG #: \_\_\_\_\_

## ORDERING GUIDE

Example: LTR-6RDPH-H-SL10L-PMC-LTR-6RD-T-SL35K8MD-S

CATALOG # \_\_\_\_\_

### HOUSING

LTR-6RDPH-H		Lumen Package		Lumen Output		PowerHUBB Node		Housing Options	
Aperture/Shape/Function									
LTR-6RDPH-H	6" Round Downlight New Construction Housing	SL	Standard Lumen	06L	600	PM	PowerHUBB™, On/Off/1% Dim, Master	IC	IC rated <sup>5</sup>
				10L	1000				
				15L	1500				
		ML	Medium Lumen	20L	2000	PMC	PowerHUBB™, On/Off/1% Dim, Control Inputs, Master		
				25L	2500				
				30L	3000				
		HL	High Lumen	35L	3500	PS	PowerHUBB™, On/Off/1% Dim, Satellite		
				40L	4000				

### TRIM

LTR-6RD-T		Lumen Package		CCT		CRI		Distribution			
Aperture/Shape/Function											
LTR-6RD-T	6" Round Downlight Light Engine/Trim Assembly	SL	Standard Lumen	27K	2700K	8	80+CRI	VNR	Very Narrow (0.3 SC/18°) <sup>7</sup>		
				30K	3000K						
				35K	3500K						
		HL	High Lumen	40K	4000K	9	90+CRI				
				50K	5000K <sup>1</sup>						
										NR	Narrow (0.5 SC/29°)
		WD	Wide (0.9 SC/59°)								
				XW	Extra Wide (1.1 SC/76°)						

### TRIM CONTINUED

Reflector Finish		Reflector Color		Flange Color Options		Lower Trim Options		Reflector Options	
<i>Finish not applicable with painted reflectors (WC or BC)</i>		<i>Standard Clear</i>		<i>Standard matches reflector color</i>		FM	Flush Mount Mud-in Ring <sup>4</sup>	AM	Antimicrobial Coating <sup>3</sup>
S	Specular	CG	Champagne Gold	WT	White Flange <sup>2</sup>				
SS	Semi-Specular	BL	Black	BT	Black Flange <sup>2</sup>				
MFC	American Matte™	LW	Light Wheat						
VS	Softglow®	PW	Pewter						
VSS	SoftSheen™	WC	Painted White Cone and Flange						
		BC	Painted Black Cone and Flange						

### Accessories

- B24 Set of two (2) 24" bar hangers for T-bar ceilings
- B6 Set of two bar hangers for ceiling joist up to 24" centers
- FMR6-R Flush Mount Mud-In Ring, 6" Round
- MOR6-R-WH Metal Oversized Ring, 6" Round, White (10" outside diameter)
- MOR6-R-BL Metal Oversized Ring, 6" Round, Black (10" outside diameter)
- LTR-SCA6-\_\_\_ Sloped Ceiling Adapter, 6", White <sup>6</sup>

### Notes:

- 1 5000K available in 80+ CRI only.
- 2 WT not needed for WC, BT not needed for BC.
- 3 AM available with WC or Specular Clear (S or SWT). Consult factory for other colors.
- 4 Flush Mount Flange (FM) requires FMR accessory (sold separately).
- 5 IC available up to 20L.
- 6 Specify slope angle 5°-35° in 5° increments. Not available with FM option.
- 7 VNR not available with IC or CP options.



# LTR-6RDPH

LITEISTRY 6" ROUND DOWNLIGHT WITH POWERHUBB™

DATE: \_\_\_\_\_ LOCATION: \_\_\_\_\_

TYPE: \_\_\_\_\_ PROJECT: \_\_\_\_\_

CATALOG #: \_\_\_\_\_

## PERFORMANCE DATA TABLE

Performance data provided below is for 3500K, 80 CRI with Specular Clear reflector finish/color

Lumen Package	Nominal Lumens	Distribution	Delivered Lumens	Watts	LPW
06L	600	Very Narrow	806	7.8	103
		Narrow	717	7.8	92
		Medium	746	7.8	96
		Wide	691	7.8	89
		Extra Wide	665	7.8	85
10L	1000	Very Narrow	1288	12.0	107
		Narrow	1146	12.0	96
		Medium	1192	12.0	99
		Wide	1104	12.0	92
		Extra Wide	1063	12.0	89
15L	1500	Very Narrow	1851	18.7	99
		Narrow	1623	18.7	87
		Medium	1712	18.7	92
		Wide	1586	18.7	85
		Extra Wide	1527	18.7	82
20L	2000	Very Narrow	2355	22.6	104
		Narrow	2263	22.7	100
		Medium	2265	22.6	100
		Wide	2180	22.7	96
		Extra Wide	2139	22.7	94
25L	2500	Very Narrow	3093	27.7	112
		Narrow	2751	27.7	99
		Medium	2860	27.7	103
		Wide	2650	27.7	96
		Extra Wide	2551	27.7	92
30L	3000	Very Narrow	3686	34.3	107
		Narrow	3278	34.3	96
		Medium	3409	34.3	99
		Wide	3158	34.3	92
		Extra Wide	3040	34.3	89
35L	3500	Very Narrow	4477	43.0	104
		Narrow	3942	43.0	93
		Medium	4140	43.0	96
		Wide	3836	43.0	89
		Extra Wide	3693	43.0	86
40L	4000	Very Narrow	5117	51.6	99
		Narrow	4552	51.6	88
		Medium	4733	51.6	92
		Wide	4385	51.6	85
		Extra Wide	4221	51.6	82

# LTR-6RDPH

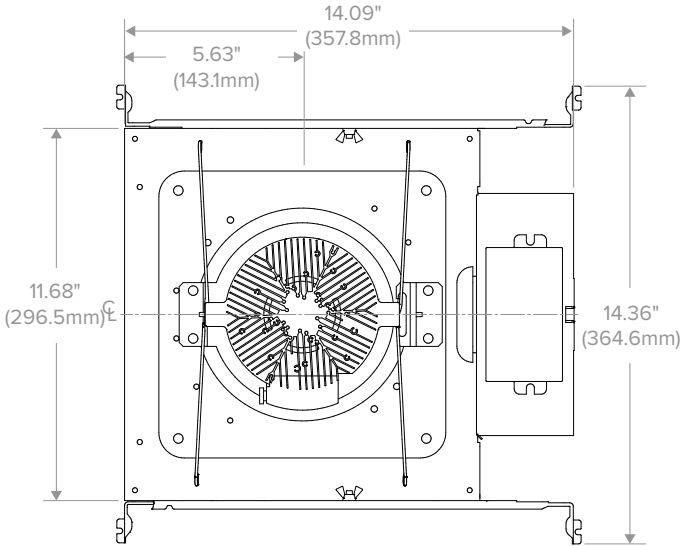
LITEISTRY 6" ROUND DOWNLIGHT WITH POWERHUBB™

DATE: \_\_\_\_\_ LOCATION: \_\_\_\_\_

TYPE: \_\_\_\_\_ PROJECT: \_\_\_\_\_

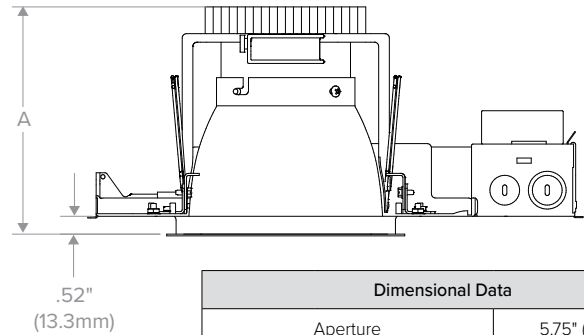
CATALOG #: \_\_\_\_\_

## DIMENSIONS



Top View

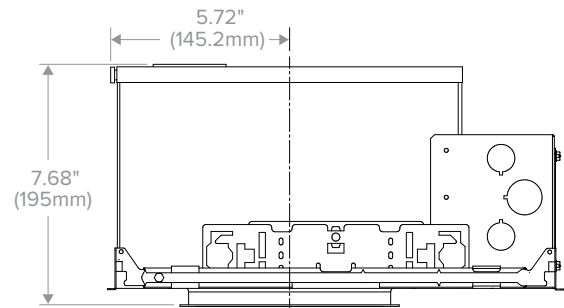
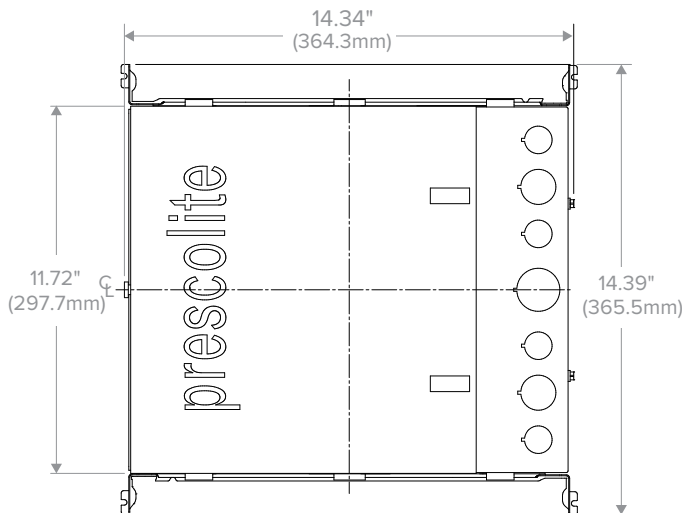
Lumen Package	"A"
06L-15L	5.90" (149.9mm)
20L-30L	6.68" (169.7mm)
35L-40L	7.86" (199.6mm)



Dimensional Data		
Aperture		5.75" (146.1mm)
Flange:	Standard	7.00" (177.8mm)
	Flush Mount	6.54" (166.0mm)
Ceiling Cutout:	Standard	6.50" (165.1mm)
	Flush Mount	6.75" (171.5mm)
Ceiling Thickness:	Standard or w/SCA 5-20° slope	0.50" to 2.00" (12.7mm to 50.8mm)
	With SCA 25-35° slope	0.50" to 1.75" (12.7mm to 44.6mm)

LTR-6RDPH-H New Construction

SCA Sloped Ceiling Adapter accessory available, see [LTR-SCA specification sheet](#) and [installation instructions](#) for dimensional data and other details.



Dimensional Data		
Aperture		5.75" (146.1mm)
Flange:	Standard	7.00" (177.8mm)
	Flush Mount	6.54" (166.0mm)
Ceiling Cutout:	Standard	6.50" (165.1mm)
	Flush Mount	6.75" (171.5mm)
Ceiling Thickness:	Standard or w/SCA 5-20° slope	0.50" to 2.00" (12.7mm to 50.8mm)
	With SCA 25-35° slope	0.50" to 1.75" (12.7mm to 44.6mm)

SCA Sloped Ceiling Adapter accessory available, see [LTR-SCA specification sheet](#) and [installation instructions](#) for dimensional data and other details.

LTR-6RDPH-H IC

# LTR-6RDPH

LITEISTRY 6" ROUND DOWNLIGHT WITH POWERHUB™

## PHOTOMETRY

### LTR-6RDPH-H-ML20L-PMC / LTR-6RD-T-ML35K8VNR-S

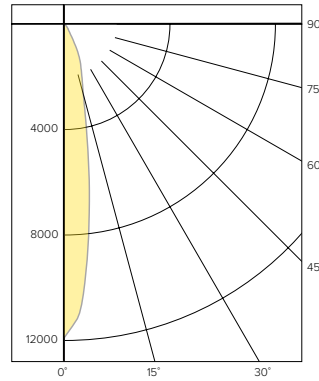
#### LUMINAIRE DATA

Test No.	R19.00588-01
Description	2000 lm, Very Narrow, 3500K, 80 CRI
Delivered Lumens	2355
Watts	22.6W
Efficacy	104.0
Mounting	Recessed
Spacing Criterion	0.3
Beam Angle (FWHM)	18

#### ZONAL LUMEN SUMMARY

Zone	Lumens	% Luminaire
0-40	2290	97.2
0-60	2355	100.0
0-90	2355	100.0
0-180	2355	100.0

#### POLAR GRAPH



#### CANDELA DISTRIBUTION

Degree	Candela
0	11881
5	9399
15	2776
25	1236
35	255
45	74
55	0
65	0
75	0
85	0
90	0

#### LUMINANCE DATA\*

Vertical Angle	Average
45°	6247
55°	0
65°	0
75°	0
85°	0

\*Candela/Square Meter

### LTR-6RDPH-H-ML20L-PMC / LTR-6RD-T-ML35K8NR-S

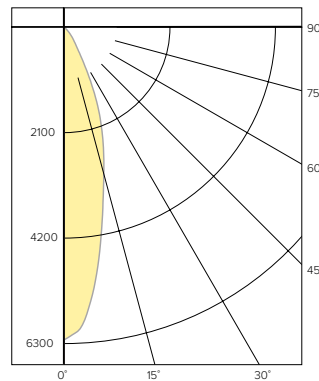
#### LUMINAIRE DATA

Test No.	R20.01439-01
Description	2000 lm, Narrow, 3500K, 80 CRI
Delivered Lumens	2263
Watts	22.1W
Efficacy	103.0
Mounting	Recessed
Spacing Criterion	0.5
Beam Angle (FWHM)	29

#### ZONAL LUMEN SUMMARY

Zone	Lumens	% Luminaire
0-40	2185	96.6
0-60	2260	99.9
0-90	2263	100.0
0-180	2263	100.0

#### POLAR GRAPH



#### CANDELA DISTRIBUTION

Degree	Candela
0	6222
5	5603
15	3035
25	1354
35	348
45	83
55	5
65	2
75	1
85	0
90	0

#### LUMINANCE DATA\*

Vertical Angle	Average
45°	6712
55°	498
65°	271
75°	221
85°	0

\*Candela/Square Meter

### LTR-6RDPH-H-ML20L-PMC / LTR-6RD-T-ML35K8MDS

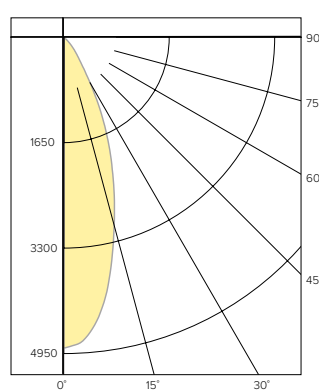
#### LUMINAIRE DATA

Test No.	R19.00587-01
Description	2000 lm, Medium, 3500K, 80 CRI
Delivered Lumens	2265
Watts	22.6W
Efficacy	100.0
Mounting	Recessed
Spacing Criterion	0.6
Beam Angle (FWHM)	37

#### ZONAL LUMEN SUMMARY

Zone	Lumens	% Luminaire
0-40	2171	95.9
0-60	2262	99.9
0-90	2265	100.0
0-180	2265	100.0

#### POLAR GRAPH



#### CANDELA DISTRIBUTION

Degree	Candela
0	4851
5	4619
15	3007
25	1450
35	386
45	99
55	6
65	2
75	1
85	0
90	0

#### LUMINANCE DATA\*

Vertical Angle	Average
45°	8357
55°	624
65°	282
75°	231
85°	0

\*Candela/Square Meter

# LTR-6RDPH

LITEISTRY 6" ROUND DOWNLIGHT WITH POWERHUBB™

## PHOTOMETRY CONTINUED

### LTR-6RDPH-H-ML20L-PMC / LTR-6RD-T-ML35K8WDS

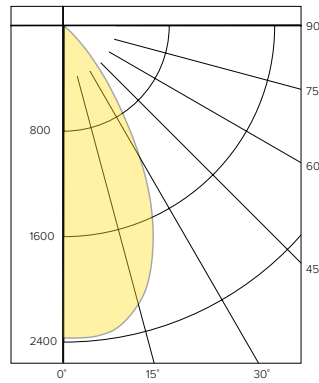
#### LUMINAIRE DATA

Test No.	<b>R19.00585-01</b>
Description	<b>2000 lm, Wide, 3500K, 80 CRI</b>
Delivered Lumens	<b>2180</b>
Watts	<b>22.6W</b>
Efficacy	<b>96.1</b>
Mounting	<b>Recessed</b>
Spacing Criterion	<b>0.9</b>
Beam Angle (FWHM)	<b>59</b>

#### ZONAL LUMEN SUMMARY

Zone	Lumens	% Luminaire
0-40	2014	92.4
0-60	2176	99.8
0-90	2180	100.0
0-180	2180	100.0

#### POLAR GRAPH



#### CANDELA DISTRIBUTION

Degree	Candela
0	2368
5	2371
15	2189
25	1591
35	726
45	177
55	10
65	3
75	1
85	0
90	0

#### LUMINANCE DATA\*

Vertical Angle	Average
45°	14942
55°	1041
65°	424
75°	231
85°	0

\*Candela/Square Meter

### LTR-6RDPH-H-ML20L-PMC / LTR-6RD-T-ML35K8XWS

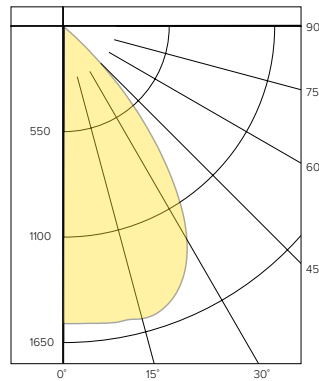
#### LUMINAIRE DATA

Test No.	<b>R19.00586-01</b>
Description	<b>2000 lm, Extra Wide, 3500K, 80 CRI</b>
Delivered Lumens	<b>2139</b>
Watts	<b>22.7W</b>
Efficacy	<b>94.4</b>
Mounting	<b>Recessed</b>
Spacing Criterion	<b>1.1</b>
Beam Angle (FWHM)	<b>76</b>

#### ZONAL LUMEN SUMMARY

Zone	Lumens	% Luminaire
0-40	1875	87.7
0-60	2134	99.8
0-90	2139	100.0
0-180	2139	100.0

#### POLAR GRAPH



#### CANDELA DISTRIBUTION

Degree	Candela
0	1547
5	1552
15	1576
25	1461
35	1007
45	301
55	9
65	3
75	1
85	0
90	0

#### LUMINANCE DATA\*

Vertical Angle	Average
45°	25409
55°	937
65°	424
75°	231
85°	0

\*Candela/Square Meter

#### LUMEN MULTIPLIER

Option	27K8	30K8	35K8	40K8	50K8	27K9	30K9	35K9	40K9
Multiplier	0.94	0.98	1.00	1.01	1.02	0.81	0.84	0.85	0.85

Photometrics are published below at a nominal 3500 Kelvin, 80+ CRI. This table may be used to approximate the lumen values at different Kelvin temperatures. Power consumption would stay the same.

# LTR-6RDPH

LITEISTRY 6" ROUND DOWNLIGHT WITH POWERHUBB™

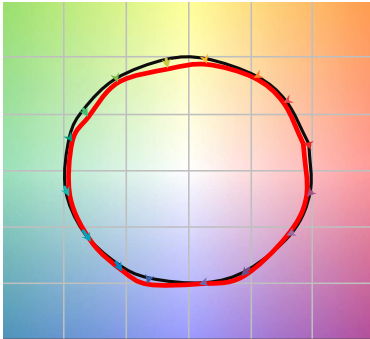
DATE: \_\_\_\_\_ LOCATION: \_\_\_\_\_

TYPE: \_\_\_\_\_ PROJECT: \_\_\_\_\_

CATALOG #: \_\_\_\_\_

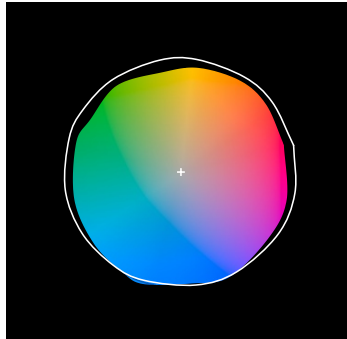
## TM-30 DATA

COLOR VECTOR GRAPHIC  
3500K, 90 CRI



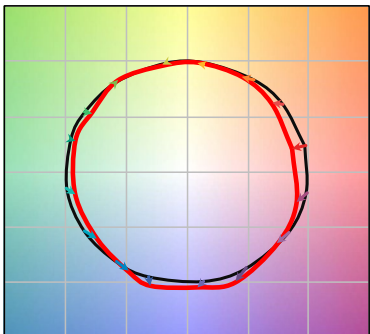
— Reference Illuminant — Test Source

COLOR DISTORTION GRAPHIC  
3500K, 90 CRI



TEST RESULTS - 3500K		
Value	80+ CRI	90+ CRI
$R_i$	84	88
$R_g$	95	95
CCT (K)	3411	3419
$D_{UV}$	0.0015	0.0042
x	0.4120	0.4147
y	0.3974	0.4052
CIE $R_a$	84	93
CIE $R_g$	11	62

COLOR VECTOR GRAPHIC  
3500K, 80 CRI



— Reference Illuminant — Test Source

COLOR DISTORTION GRAPHIC  
3500K, 80 CRI





# LTR-6RDPH

LITEISTRY 6" ROUND DOWNLIGHT WITH POWERHUBB™

DATE: \_\_\_\_\_ LOCATION: \_\_\_\_\_

TYPE: \_\_\_\_\_ PROJECT: \_\_\_\_\_

CATALOG #: \_\_\_\_\_

## ELECTRICAL DATA

WATTAGE DATA		
Lumen Output	Nominal Lumens	WATTAGE
06L	600	8
10L	1000	12
15L	1500	19
20L	2000	23
25L	2500	28
30L	3000	35
35L	3500	43
40L	4000	52

\* Wattage may vary based on configuration and options selected

## ADDITIONAL INFORMATION



Hubbell Control Solutions' PowerHUBB™ is an enterprise-level Power over Ethernet (PoE) lighting and control platform that seamlessly integrates luminaires, sensors, user interfaces and software for a scalable intelligent building control solution.

See separate [PowerHUBB™ In-Fixture Solutions Guide](#) and [Hubbell Control Solutions PowerHUBB Brochure](#) for more details.

All product and company names, logos and product identifiers are trademarks™ or registered trademarks® of Hubbell Lighting, Inc. or their respective owners. Use of them does not necessarily imply any affiliation with or endorsement by such respective owners.