

# LTR-6RW Lens

LITEISTRY 6" ROUND LENSED WALL WASH (LWW)

LITEISTRY™

## FEATURES

- 6" architectural LED lensed wall wash delivering 600–4500 lm
- Provides smooth uniform vertical illumination
- 2700K–5000K, 80+ and 90+ CRI options
- Available for New Construction (non-IC), IC and Chicago Plenum applications
- Variety of dimming protocol options including 0-10V, DALI, DMX, Lutron Forward Phase and EcoSystem
- NX Distributed Intelligence™ wired and wireless controls capability available



## RELATED PRODUCTS

- Ø 3" LITEISTRY Family
- Ø 4" LITEISTRY Family
- Ø 6" LITEISTRY Family

## CONTROL TECHNOLOGY



## SPECIFICATIONS

### CONSTRUCTION

- Standard Non-IC. Chicago Plenum and IC options available
- New Construction: Painted black durable steel platform with pre-installed bar hangers
- Pre-wired junction box with snap-on covers for easy access
- Snap-in connection from driver compartment allows easy installation
- Light Engine connections use plenum rated (CMP) cable

### OPTICS

- Provides excellent uniformity down the wall
- The light distribution is free of distracting bright spots or pixelation and the perimeter has a smooth transition
- High purity spun aluminum reflector, self-flanged
- Flush mount flange option with mud-in ring available
- Large selection of anodized finishes and colors
- Painted cones and flange options available

### ELECTRICAL

- Chip-on-board (COB) with 2 SDCM
- Multiple CCTs, 80+ or 90+ CRI
- Long LED life: L90 at >55,000 hours (TM-21)
- Universal voltage 120V–277V driver, 347V optional
- UL Class 2, inherent short circuit and overload protection, RoHS compliant
- Flicker free 0–10V dimming with 1% or <1% performance
- DALI, DMX, and Lutron Forward Phase and EcoSystem options
- NX or Lutron Vibe control options available
- Emergency battery pack option available with remote test switch and indicator light
- Refer to additional spec sheets for information on SpectraSync™ Tunable White or Dim-to-Warm or PowerHUBB™ PoE enabled solutions

### INSTALLATION

- Accommodates ceiling thickness up to 1.25"
- Universal adjustable mounting brackets also accept 0.50" EMT conduit or 1.50" or 0.75" lathing channel (by others) or Prescolite accessory bar hangers (B24 or B6)
- Light engine/driver fully serviceable from above or below the ceiling

### CERTIFICATIONS

- cCSAus certified to UL 1598
- Suitable for wet locations, covered ceiling EMR: Suitable for damp locations
- EMR: Certified under UL 924 standard for emergency lighting and power equipment
- Approved for 8 (4 in/4 out) No. 12AWG conductors rated for 90°C through wiring
- This product qualifies as a “designated country construction material” per FAR 52.225-11 Buy American-Construction. Materials under Trade Agreements effective 6/6/2020. See [Buy American Solutions](#).

### WARRANTY

- 5 year warranty
- See [HLI Standard Warranty](#) for additional information

| KEY DATA              |               |
|-----------------------|---------------|
| Lumen Range           | 600-4500      |
| Wattage Range         | 8-55          |
| Efficacy Range (LPW)  | 76*           |
| Reported Life (Hours) | L90 / >55,000 |
| Input Current (mA)    | 67-458 (120V) |

\*Based on Specular, 35K, 80 CRI



# LTR-6RW Lens

LITEISTRY 6" ROUND LENSED WALL WASH (LWW)

DATE: \_\_\_\_\_ LOCATION: \_\_\_\_\_

TYPE: \_\_\_\_\_ PROJECT: \_\_\_\_\_

CATALOG #: \_\_\_\_\_

## ORDERING GUIDE

Example: LTR-6RD-H-SL10L-DM1-LTR-6RW-T-SL35K8LWW-S

CATALOG # \_\_\_\_\_

### HOUSING

| LTR-6RD-H                                                         |  | Lumen Package |                | Lumen Output |      | Driver Options |                                                                            | Control Options |                                                    | Voltage         |                   | Housing Options |                                                                                 |            |                                        |
|-------------------------------------------------------------------|--|---------------|----------------|--------------|------|----------------|----------------------------------------------------------------------------|-----------------|----------------------------------------------------|-----------------|-------------------|-----------------|---------------------------------------------------------------------------------|------------|----------------------------------------|
| <b>Aperture/Shape/Function</b>                                    |  | <b>SL</b>     | Standard Lumen | <b>06L</b>   | 600  | <b>DM1</b>     | 0-10V Dimming to 1%                                                        | <b>NXE</b>      | NX Enabled, Dual SmartPorts <sup>4</sup>           | <i>Standard</i> | 120-277V          | <b>CP</b>       | Chicago Plenum <sup>1,9</sup>                                                   |            |                                        |
| LTR-6RD-H 6" Round Downlight / Wall Wash New Construction Housing |  | <b>ML</b>     | Medium Lumen   | <b>10L</b>   | 1000 | <b>DMO1</b>    | 0-10V Dimming to <1%                                                       | <b>NXWE</b>     | NX Wireless Enabled <sup>4</sup>                   | <b>34</b>       | 347V <sup>8</sup> | <b>IC</b>       | IC rated <sup>1,10</sup>                                                        |            |                                        |
|                                                                   |  |               |                | <b>15L</b>   | 1500 | <b>DMX</b>     | DMX with RDM dimming to <0.1% <sup>3</sup>                                 |                 |                                                    |                 |                   | <b>EMR</b>      | Emergency Battery Pack with remote test switch and indicator light <sup>1</sup> |            |                                        |
|                                                                   |  |               |                | <b>20L</b>   | 2000 | <b>DALI</b>    | DALI Dimming to 1%                                                         |                 |                                                    |                 |                   | <b>NXWD</b>     | NX Wireless Enabled, Dual SmartPorts <sup>4</sup>                               | <b>GTD</b> | Generator Transfer Device <sup>1</sup> |
|                                                                   |  | <b>HL</b>     | High Lumen     | <b>25L</b>   | 2500 | <b>2DM</b>     | Lutron Hi-Lume 2-wire Dimming to 1% (120V Forward Phase only) <sup>3</sup> | <b>LV</b>       | Lutron Vive Enabled, 0-10V (requires 0-10V driver) |                 |                   | <b>DTS</b>      | Device Transfer Switch with Dimming Bypass <sup>1,11</sup>                      |            |                                        |
|                                                                   |  |               |                | <b>30L</b>   | 3000 | <b>EDM</b>     | Lutron Hi-Lume EcoSystem Dimming to 1% <sup>3</sup>                        |                 |                                                    |                 |                   | <b>LVE</b>      | Lutron Vive Enabled, EcoSystem, (requires EDM)                                  | <b>F</b>   | Fuse <sup>1</sup>                      |
|                                                                   |  |               |                | <b>35L</b>   | 3500 |                |                                                                            |                 |                                                    |                 |                   |                 |                                                                                 |            |                                        |
|                                                                   |  |               |                | <b>40L</b>   | 4000 |                |                                                                            |                 |                                                    |                 |                   |                 |                                                                                 |            |                                        |
|                                                                   |  |               |                | <b>45L</b>   | 4500 |                |                                                                            |                 |                                                    |                 |                   |                 |                                                                                 |            |                                        |

### TRIM

| LTR-6RW-T                                               |  | Lumen Package |                | CCT        |                    | CRI      |         | Distribution |                  |
|---------------------------------------------------------|--|---------------|----------------|------------|--------------------|----------|---------|--------------|------------------|
| <b>Aperture/Shape/Function</b>                          |  | <b>SL</b>     | Standard Lumen | <b>27K</b> | 2700K              | <b>8</b> | 80+ CRI | <b>LWW</b>   | Lensed Wall Wash |
| LTR-6RW-T 6" Round Wall Wash Light Engine/Trim Assembly |  | <b>ML</b>     | Medium Lumen   | <b>30K</b> | 3000K              | <b>9</b> | 90+ CRI |              |                  |
|                                                         |  | <b>HL</b>     | High Lumen     | <b>35K</b> | 3500K              |          |         |              |                  |
|                                                         |  |               |                | <b>40K</b> | 4000K              |          |         |              |                  |
|                                                         |  |               |                | <b>50K</b> | 5000K <sup>2</sup> |          |         |              |                  |

### TRIM CONTINUED

| Reflector Finish                                                |                 | Reflector Color       |                               | Flange Color Options                    |                           | Lower Trim Options                             |  | Reflector Options                            |  |
|-----------------------------------------------------------------|-----------------|-----------------------|-------------------------------|-----------------------------------------|---------------------------|------------------------------------------------|--|----------------------------------------------|--|
| <i>Finish not applicable with painted reflectors (WC or BC)</i> |                 | <i>Standard Clear</i> |                               | <i>Standard matches reflector color</i> |                           | <b>FM</b> Flush Mount Mud-in Ring <sup>7</sup> |  | <b>AM</b> Antimicrobial Coating <sup>6</sup> |  |
| <b>S</b>                                                        | Specular        | <b>CG</b>             | Champagne Gold                | <b>WT</b>                               | White Flange <sup>5</sup> |                                                |  |                                              |  |
| <b>SS</b>                                                       | Semi-Specular   | <b>BL</b>             | Black                         | <b>BT</b>                               | Black Flange <sup>5</sup> |                                                |  |                                              |  |
| <b>MFC</b>                                                      | American Matte™ | <b>LW</b>             | Light Wheat                   |                                         |                           |                                                |  |                                              |  |
| <b>VS</b>                                                       | Softglow®       | <b>PW</b>             | Pewter                        |                                         |                           |                                                |  |                                              |  |
| <b>VSS</b>                                                      | SoftSheen™      | <b>WC</b>             | Painted White Cone and Flange |                                         |                           |                                                |  |                                              |  |
|                                                                 |                 | <b>BC</b>             | Painted Black Cone and Flange |                                         |                           |                                                |  |                                              |  |

### Accessories

- B24** Set of two (2) 24" bar hangers for T-bar ceilings
- B6** Set of two bar hangers for ceiling joist up to 24" centers
- FMR6-R** Flush Mount Flange Mud-In Ring, 6" Round
- LiteGear** LiteGear® Inverter, 125VA-250VA
- LPS Series** LightPower Micro-Inverter, 20VA-55VA
- MOR6-R-WH** Metal Oversized Ring, 6" Round, White (10" outside diameter)
- MOR6-R-BL** Metal Oversized Ring, 6" Round, Black (10" outside diameter)

### Notes:

- 1 Housing options (except Fuse) not available in combination.
- 2 5000K available in 80+ CRI only.
- 3 2DM, EDM, DMX available in 10L-35L.
- 4 NX requires DM1 driver option
- 5 WT not needed for WC, BT not needed for BC.
- 6 AM available with WC or Specular Clear (S or SWT). Consult factory for other colors.
- 7 Flush Mount Flange (FM) requires FMR accessory (sold separately).
- 8 347V requires DM1 driver option; not available in 06L or with Controls, F, DTS, GTD, EMR.
- 9 CP available up to 20L; not available with DMX, Controls, or EMR options.
- 10 IC available up to 20L; not available with Controls options.
- 11 DTS available with DM1, DM01, DALI, or EDM; not available with LVE.

# LTR-6RW Lens

LITEISTRY 6" ROUND LENSED WALL WASH (LWW)

## CONTROLS

### NX Distributed Intelligence™ Lighting Controls:

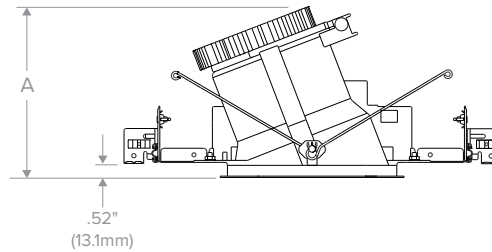
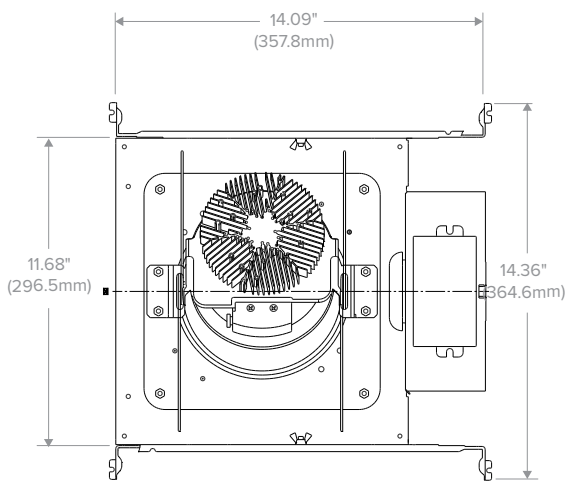
Supports applications in a variety of deployment options- wired, wireless, hybrid. Integrates with and enables a wide array of luminaires including those with SpectraSync™ Color Tuning Technology.



| NX INTEGRATED CONTROLS REFERENCE     |        |             |            |           |                     |               |                |                                                 |
|--------------------------------------|--------|-------------|------------|-----------|---------------------|---------------|----------------|-------------------------------------------------|
| NX Option                            | Sensor | Networkable | Scheduling | Occupancy | Daylight Harvesting | 0-10V Dimming | On/off Control | Bluetooth® App Programming                      |
| <b>NX Networked – Wired</b>          |        |             |            |           |                     |               |                |                                                 |
| NXE                                  | N/A    | Yes         | Yes        | No        | No                  | Yes           | Yes            | Requires <a href="#">NXBTC/R</a> <sup>1</sup>   |
| <b>NX Networked – Wireless</b>       |        |             |            |           |                     |               |                |                                                 |
| NXWE <sup>2</sup>                    | N/A    | Yes         | Yes        | No        | No                  | Yes           | Yes            | No <sup>3</sup>                                 |
| <b>NX Networked – Wired/Wireless</b> |        |             |            |           |                     |               |                |                                                 |
| NXWD                                 | N/A    | Yes         | Yes        | No        | No                  | Yes           | Yes            | Requires <a href="#">NXBTC/R</a> <sup>1,3</sup> |

- 1 NXBTC/R needs to be plugged into an available NX SmartPort™ on the fixture network
- 2 Programming via App requires factory assistance
- 3 To program NXWE option, need to consult factory. If connected to an area controller, programming can be done from that

## DIMENSIONS



| Dimensional Data   |             |                                   |
|--------------------|-------------|-----------------------------------|
| Aperture           |             | 5.75" (146.1mm)                   |
| Flange:            | Standard    | 7.00" (177.8mm)                   |
|                    | Flush Mount | 6.54" (166.0mm)                   |
| Ceiling Cutout:    | Standard    | 6.50" (165.1mm)                   |
|                    | Flush Mount | 6.75" (171.5mm)                   |
| Ceiling Thickness: |             | 0.50" to 1.25" (12.7mm to 31.8mm) |

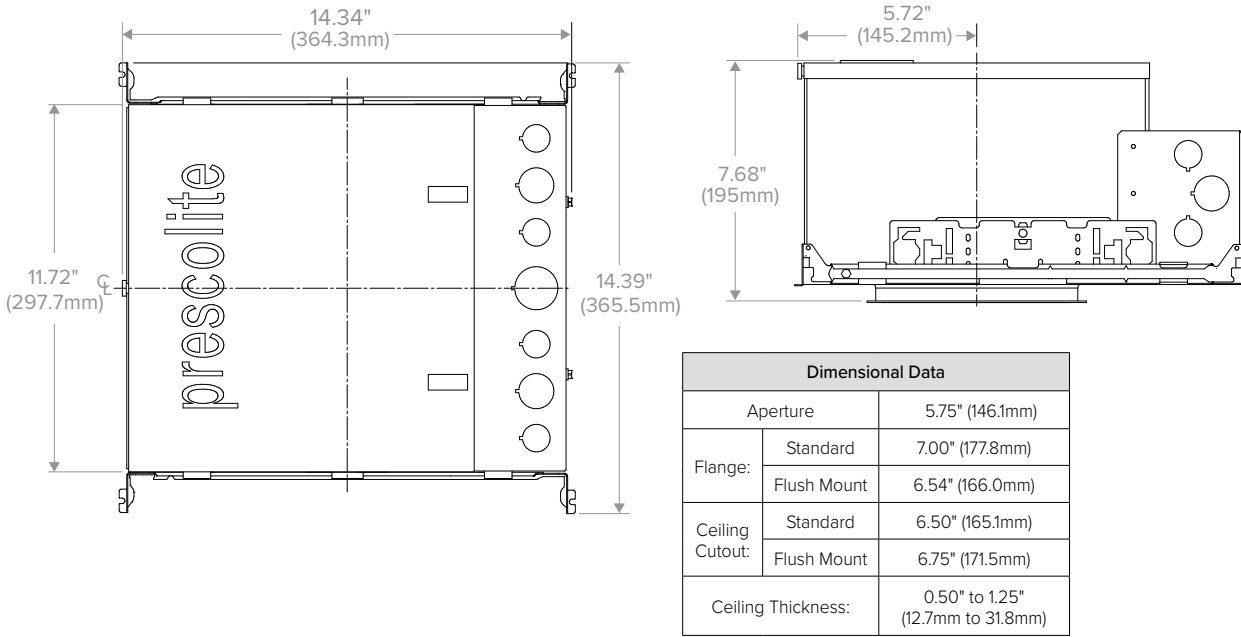
| Lumen Package | "A"             |
|---------------|-----------------|
| 06L-15L       | 6.18" (157mm)   |
| 20L-30L       | 6.46" (164.1mm) |
| 35L-45L       | 7.93" (201.4mm) |

### LTR-6RW LENS - H

# LTR-6RW Lens

LITEISTRY 6" ROUND LENSED WALL WASH (LWW)

## DIMENSIONS (CONTINUED)



LTR-6RD-H-IC/CP

## PHOTOMETRY

### LTR-6RD-H-ML20L-DM1 / LTR-6RW-T-ML35K8LWWS

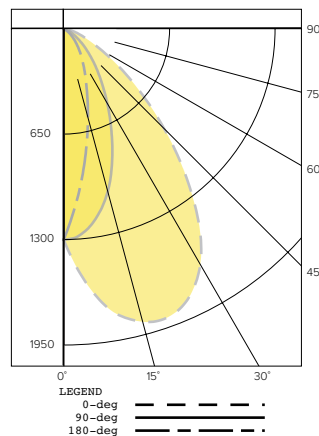
#### LUMINAIRE DATA

|                  |                                           |
|------------------|-------------------------------------------|
| Test No.         | 19.00822                                  |
| Description      | 6" Lensed Wall-Wash; 2000lm 3500K, 80 CRI |
| Delivered Lumens | 1710                                      |
| Watts            | 22.6W                                     |
| Efficacy         | 75.6                                      |
| Mounting         | Recessed                                  |

#### ZONAL LUMEN SUMMARY

| Zone  | Lumens | % Luminaire |
|-------|--------|-------------|
| 0-40  | 1218   | 71.2        |
| 0-60  | 1633   | 95.5        |
| 0-90  | 1710   | 100.0       |
| 0-180 | 1710   | 100.0       |

#### POLAR GRAPH



#### CANDELA DISTRIBUTION

| Degree | Candela |
|--------|---------|
| 0      | 1304    |
| 5      | 1574    |
| 15     | 1874    |
| 25     | 1831    |
| 35     | 1451    |
| 45     | 882     |
| 55     | 433     |
| 65     | 173     |
| 75     | 57      |
| 85     | 0       |
| 90     | 0       |

#### LUMINANCE DATA\*

| Vertical Angle | Average |
|----------------|---------|
| 45°            | 74454   |
| 55°            | 45061   |
| 65°            | 24435   |
| 75°            | 13146   |
| 85°            | 0       |

\*Candela/Square Meter

#### LUMEN MULTIPLIER

| Option     | 27K8 | 30K8 | 35K8 | 40K8 | 50K8 | 27K9 | 30K9 | 35K9 | 40K9 |
|------------|------|------|------|------|------|------|------|------|------|
| Multiplier | 0.94 | 0.98 | 1.00 | 1.01 | 1.02 | 0.81 | 0.84 | 0.85 | 0.85 |

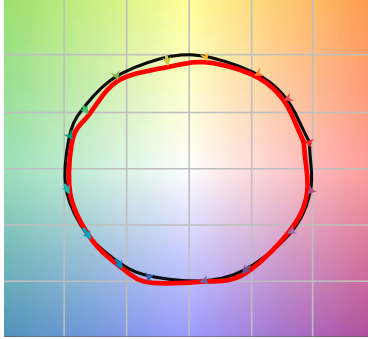
Photometrics are published below at a nominal 3500 Kelvin, 80+ CRI. This table may be used to approximate the lumen values at different Kelvin temperatures. Power consumption would stay the same.

# LTR-6RW Lens

LITEISTRY 6" ROUND LENSED WALL WASH (LWW)

## TM-30 DATA

COLOR VECTOR GRAPHIC  
3500K, 90 CRI



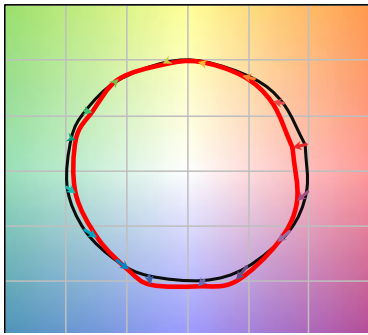
— Reference Illuminant — Test Source

COLOR DISTORTION GRAPHIC  
3500K, 90 CRI



| TEST RESULTS - 3500K |         |         |
|----------------------|---------|---------|
| Value                | 80+ CRI | 90+ CRI |
| $R_t$                | 84      | 88      |
| $R_g$                | 95      | 95      |
| CCT (K)              | 3411    | 3419    |
| $D_{uv}$             | 0.0015  | 0.0042  |
| x                    | 0.4120  | 0.4147  |
| y                    | 0.3974  | 0.4052  |
| CIE $R_a$            | 84      | 93      |
| CIE $R_g$            | 11      | 62      |

COLOR VECTOR GRAPHIC  
3500K, 80 CRI



— Reference Illuminant — Test Source

COLOR DISTORTION GRAPHIC  
3500K, 80 CRI



## ELECTRICAL DATA

| DRIVER DATA                        |           |          |
|------------------------------------|-----------|----------|
| Input Voltage                      | 120-277 V | 347 V    |
| Input Frequency                    | 50/60 Hz  | 50/60 Hz |
| Power Factor                       | ≥0.90     | ≥0.90    |
| THD                                | <20%      | <20%     |
| EMI Filtering (FCC 47 CFR Part 15) | Class A   | Class A  |

\* Values for DM1 option shown, values for other dimming options may vary.



DATE: \_\_\_\_\_ LOCATION: \_\_\_\_\_

TYPE: \_\_\_\_\_ PROJECT: \_\_\_\_\_

CATALOG #: \_\_\_\_\_

# LTR-6RW Lens

LITEISTRY 6" ROUND LENSED WALL WASH (LWW)

## ELECTRICAL DATA CONTINUED

| WATTAGE DATA |                |         |
|--------------|----------------|---------|
| Lumen Output | Nominal Lumens | WATTAGE |
| 06L          | 600            | 8       |
| 10L          | 1000           | 12      |
| 15L          | 1500           | 19      |
| 20L          | 2000           | 23      |
| 25L          | 2500           | 28      |
| 30L          | 3000           | 35      |
| 35L          | 3500           | 43      |
| 40L          | 4000           | 52      |
| 45L          | 4500           | 55      |

\* Wattage may vary based on configuration and options selected

## ADDITIONAL INFORMATION

| DIMMING COMPATIBILITY CHART |                                         |                                                           |
|-----------------------------|-----------------------------------------|-----------------------------------------------------------|
| Dimming Driver              | Manufacturer                            | Web Link                                                  |
| DM1 /DM01                   | Lutron DDTV                             | <a href="http://bit.ly/11jSvZg">http://bit.ly/11jSvZg</a> |
| DM1                         | Leviton AWRMG-7xx, AWSMG-7xx, AWSMT-7xx | <a href="http://bit.ly/1BJn2R9">http://bit.ly/1BJn2R9</a> |
| EDM                         | Lutron                                  | <a href="http://bit.ly/1vtjHAJ">http://bit.ly/1vtjHAJ</a> |
| 2DM                         | Lutron                                  | <a href="http://bit.ly/1S4WjXK">http://bit.ly/1S4WjXK</a> |

### DMX

See instruction sheet on [www.prescolite.com](http://www.prescolite.com) for connection & installation information.

### Central Inverters

For full fixture output in back-up mode, we recommend you visit [www.dual-lite.com](http://www.dual-lite.com) for your Central Lighting Inverter options. Please contact your local Hubbell representative for any assistance with proper sizing and loading of your inverter selection. Central lighting inverters must be ordered separately.LiteGear: [www.dual-lite.com/products/litegear\\_lg\\_series](http://www.dual-lite.com/products/litegear_lg_series)LPS Series: [www.dual-lite.com/products/lps](http://www.dual-lite.com/products/lps)