

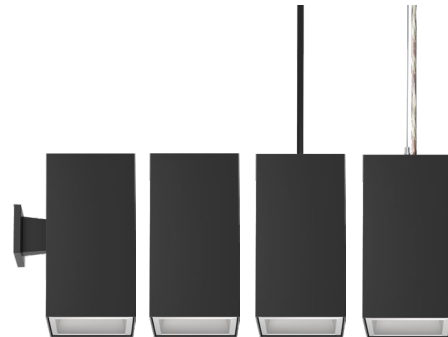
LTC-6SQD

LITEISTRY 6" SQUARE CYLINDER

LITEISTRY™

FEATURES

- 6" architectural LED downlight cylinder delivering 600–7000 lm
- Five beam distributions from 0.4 to 1.2 Spacing Criteria
- Quiet reflector appearance with 50° optical cutoff
- 2700K - 5000K, 80+ and 90+ CRI options
- Available in Surface, Wall, Pendant, or Cord Mount configurations
- Variety of dimming protocol options including 0-10V, DALI, DMX, Forward Phase and EcoSystem



RELATED PRODUCTS

- [LTC-6SQD SpectraSync](#)
- [LTC-6SQD PowerHUBB](#)
- [3" LITEISTRY Family](#)
- [4" LITEISTRY Family](#)
- [6" LITEISTRY Family](#)



CONTROL TECHNOLOGY



SPECIFICATIONS

CONSTRUCTION

- Seamless heavy gauge aluminum cylinder body with a clean appearance
- Select from 4 durable powder coat paint architectural finishes or Brushed Aluminum
- Available in Surface, Wall, Pendant, or Cable/Cord mounting options
- Wall Mount: One piece die cast aluminum mounting arm
- Pendant Mount: Swivel canopy allows sloped ceiling mounting up to 45 degrees
- Integral driver versions allow direct mounting to a standard 4" octagonal or square junction box
- Some controls configurations require remote mount driver assembly (see line art)

OPTICS

- Visually pleasing 50° cutoff to source and source image
- The light distribution is free of distracting bright spots or pixelation and the perimeter has a smooth transition
- Optical grade silicone lens integral to light engine
- High purity four panel aluminum reflector, self-flanged
- Large selection of anodized finishes and colors
- Painted cones and flange options available

ELECTRICAL

- Chip-on-board (COB) with 2 SDCM
- Multiple CCTs, 80+ or 90+ CRI
- Long LED life: L90 at >55,000 (TM-21)
- Universal voltage 120V-277V driver, 347V optional
- UL Class 2, inherent short circuit and overload protection, RoHS compliant
- Flicker free 0-10V dimming with 1% or < 1% performance
- DALI, DMX, and Lutron Forward Phase and EcoSystem options
- NX or Lutron Vibe control options available
- Refer to additional spec sheets for information on SpectraSync™ Tunable White or Dim-to-Warm or PowerHUBB™ PoE enabled solutions

INSTALLATION

- Light Engine/Trim assembly is mechanically secured with torsion springs for ease of installation
- A quick connect is provided for easy maintenance or upgrade
- Remote mount driver/jbox assembly requires 6" plenum clearance
- Remote driver is accessible from above or below the ceiling

CERTIFICATIONS

- cCSAus certified to UL 1598
- Wall Mount up to 55L: Suitable for wet locations
- Pendant Mount up to 55L: Suitable for wet locations under covered ceiling
- 60L & 70L Pendant & Wall, all Surface & Cord Mount: Suitable for damp locations
- This product qualifies as a “designated country construction material” per FAR 52.225-11 Buy American-Cosnstruction. Materials under Trade Agreements effective 6/6/2020. See [Buy American Solutions](#).

WARRANTY

- 5 year warranty
- See [HLI Standard Warranty](#) for additional information

KEY DATA	
Lumen Range	600–7000
Wattage Range	8–72
Efficacy Range (LPW)	87–99*
Reported Life (Hours)	L90 / >55,000
Input Current Range (mA)	67–600 (120V)

*Based on Specular, 35K, 80 CRI



LTC-6SQD

LITEISTRY 6" SQUARE CYLINDER

DATE: _____ LOCATION: _____

TYPE: _____ PROJECT: _____

CATALOG #: _____

ORDERING GUIDE

Example: LTC-6SQD-P-15L35K9WD-DM1-SS-WH

CATALOG #

LTC-6SQD					
Aperture/Shape/Function	Cylinder Mounting	Lumen Output	CCT	CRI	Distribution
LTC-6SQD 6" Square Downlight Cylinder	S Surface W Wall P Pendant (18" Stem Standard) CM Cable/Cord (6 ft. Cord Standard) ⁵	06L 600 Lumens 10L 1000 Lumens 15L 1500 Lumens 20L 2000 Lumens 25L 2500 Lumens 30L 3000 Lumens 35L 3500 Lumens 40L 4000 Lumens 45L 4500 Lumens 50L 5000 Lumens 55L 5500 Lumens 60L 6000 Lumens ⁸ 70L 7000 Lumens ⁸	27K 2700K 30K 3000K 35K 3500K 40K 4000K 50K 5000K ¹	8 80+ CRI 9 90+ CRI	VNR Very Narrow (0.4 SC/25°) ¹⁰ NR Narrow (0.6 SC/36°) MD Medium (0.7 SC/43°) WD Wide (1.0 SC/65°) XW Extra Wide (1.2 SC/69°)

Driver Options	Control Options	Voltage	Reflector Finish	Reflector Color	Flange Color Options
DM1 0-10V Dimming to 1% ^{3,9} DM01 0-10V Dimming to <1% DMX DMX with RDM dimming to <0.1% ^{3,7} DALI DALI Dimming to 1% ³ 2DM Lutron Hi-Lume 2-wire Dimming to 1% (120V Forward Phase only) ³ EDM Lutron Hi-Lume EcoSystem Dimming to 1% ³	NXE NX, Dual SmartPORTs ^{2,3,7} NXWE NX Wireless Enabled ^{2,3,7} NXWD NX Wireless, Dual SmartPORTs ^{2,3,7} LV Lutron Vive Enabled, 0-10V (requires DM1 driver) ^{3,7} LVE Lutron Vive Enabled, EcoSystem, (requires EDM) ^{3,7}	<i>Standard</i> 120-277V 34 347V ^{3,6}	<i>Finish not applicable with painted reflectors (WC or BC).</i> S Specular SS Semi-Specular VS Softglow® VSS SoftSheen™	<i>Standard Clear</i> CG Champagne Gold BL Black LW Light Wheat PW Pewter WC Painted White Cone and Flange BC Painted Black Cone and Flange	<i>Standard matches reflector color</i> WT White Flange ⁴ BT Black Flange ⁴

Exterior Cylinder Color

- BA** Brushed Aluminum
- BZ** Bronze
- BL** Matte Black
- WH** Matte White
- SVR** Silver

Notes:

- 1 5000K is available in 80+CRI only.
- 2 NX requires DM1 driver option.
- 3 For lumen outputs/configurations available, see chart on page 3.
- 4 WT not needed for WC; BT not needed for BC
- 5 CM standard cord color is Clear.
- 6 347V requires DM1 driver options; not available with Controls.
- 7 Controls not available on Wall mount (W); S, P, CM with DMX or Controls options require remote driver, see line art for details.
- 8 60L and 70L require vented cylinder.
- 9 DM1 on >60L is 0-10V to 5% dimming.
- 9 VNR not available with IC or CP options.



LTC-6SQD

LITEISTRY 6" SQUARE CYLINDER

DATE: _____ LOCATION: _____

TYPE: _____ PROJECT: _____

CATALOG #: _____

DRIVER/CONTROL OPTION AVAILABILITY

Driver and Control options listed below are available in the configurations and lumen packages as shown.

Driver/Control Option		Cylinder Mounting ¹	Integral Remote Driver ¹	06L	10L	15L	20L	25L	30L	35L	40L	45L	50L	55L	60L	70L ⁴
DM1	0-10V 1% ⁴	W	Integral	●	●	●	●	●	●	●	●	●	●	●	▼	▼
		S/P/CM	Integral	●	●	●	●	●	●	●	●	●	●	●	●	▼
DM01	0-10V <1%	W	Integral	●	●	●	●	●								
		S/P/CM	Integral	●	●	●	●	●								
DALI	DALI 1%	W	Integral	●	●	●	●	●								
		S/P/CM	Integral	●	●	●	●	●								
DMX	DMX w/ RDM <0.1%	W	Integral		●	●	●	●	●	●						
		S/P/CM	Remote (IC Rated)		●	●										
2DM	Lutron Hi-Lume 2-wire 1%	W	Integral		●	●	●	●								
		S/P/CM	Integral		●	●	●	●								
EDM	Lutron Hi-Lume EcoSystem 1%	W	Integral		●	●	●	●	●							
		S/P/CM	Integral		●	●	●	●	●							
347V ³	347 Volts (DM1 required)	W	Integral		●	●	●	●	●	●	●	●	●	●	●	▼
		S/P/CM	Integral		●	●	●	●	●	●	●	●	●	●	●	▼

NX (All)	NX (DM1 required)	W	N/A													
		S/P/CM	Remote (Non-IC)	●	●	●	●									
LV	Lutron Vive® (DM1 required)	W	N/A													
		S/P/CM	Remote (IC Rated)	●	●	●	●									
LVE	Lutron Vive® (EDM required)	W	N/A													
		S/P/CM	Remote (Non-IC)		●	●	●									

- ▼ Vented cylinder required, see line art for more details.
- 1 See Cylinder Mounting chart for details.
- 2 See line art for more details.
- 3 Not available with Controls.
- 4 70L DM1 option is 0-10V to 5%.

Cylinder Mounting	
W	Wall Mount
S	Surface Mount
CM	Cable/Cord Mount
P	Pendant Mount

CONTROLS

NX Distributed Intelligence™ Lighting Controls:

Supports applications in a variety of deployment options- wired, wireless, hybrid. Integrates with and enables a wide array of luminaires including those with SpectraSync™ Color Tuning Technology.



NX INTEGRATED CONTROLS REFERENCE								
NX Option	Sensor	Networkable	Scheduling	Occupancy	Daylight Harvesting	0-10V Dimming	On/off Control	Bluetooth® App Programming
NX Networked – Wired								
NXE	N/A	Yes	Yes	No	No	Yes	Yes	Requires NXBTC/R ¹
NX Networked – Wireless								
NXWE ²	N/A	Yes	Yes	No	No	Yes	Yes	No ³
NX Networked – Wired/Wireless								
NXWD	N/A	Yes	Yes	No	No	Yes	Yes	Requires NXBTC/R ^{1,3}

- 1 NXBTC/R needs to be plugged into an available NX SmartPort™ on the fixture network
- 2 Programming via App requires factory assistance
- 3 To program NXWE option, need to consult factory. If connected to an area controller, programming can be done from that



LTC-6SQD

LITEISTRY 6" SQUARE CYLINDER

DATE: _____ LOCATION: _____

TYPE: _____ PROJECT: _____

CATALOG #: _____

PERFORMANCE DATA TABLE

Performance data provided below is for 3500K, 80 CRI with Specular Clear reflector finish/color

Lumen Package	Nominal Lumens	Distribution	Delivered Lumens	Watts	LPW
06L	600	Very Narrow	723	7.8	93
		Narrow	757	7.8	97
		Medium	708	7.8	91
		Wide	600	7.8	77
		Extra Wide	567	7.8	73
10L	1000	Very Narrow	1155	12.0	96
		Narrow	1210	12.0	101
		Medium	1131	12.0	94
		Wide	958	12.0	80
		Extra Wide	906	12.0	76
15L	1500	Very Narrow	1660	18.7	89
		Narrow	1738	18.7	93
		Medium	1624	18.7	87
		Wide	1377	18.7	74
		Extra Wide	1302	18.7	70
20L	2000	Very Narrow	2282	22.7	101
		Narrow	2282	22.8	100
		Medium	2206	22.8	97
		Wide	2031	22.8	89
		Extra Wide	1975	22.8	87
25L	2500	Very Narrow	2774	27.7	100
		Narrow	2903	27.7	105
		Medium	2714	27.7	98
		Wide	2300	27.7	83
		Extra Wide	2176	27.7	79
30L	3000	Very Narrow	3305	34.3	96
		Narrow	3460	34.3	101
		Medium	3234	34.3	94
		Wide	2741	34.3	80
		Extra Wide	2593	34.3	76
35L	3500	Very Narrow	4015	43.0	93
		Narrow	4203	43.0	98
		Medium	3928	43.0	91
		Wide	3329	43.0	77
		Extra Wide	3149	43.0	73
40L	4000	Very Narrow	4589	51.6	89
		Narrow	4804	51.6	93
		Medium	4491	51.6	87
		Wide	3806	51.6	74
		Extra Wide	3600	51.6	70
45L	4500	Very Narrow	4817	55.1	87
		Narrow	5042	55.1	92
		Medium	4713	55.1	86
		Wide	3994	55.1	72
		Extra Wide	3778	55.1	69



LTC-6SQD

LITEISTRY 6" SQUARE CYLINDER

DATE: _____ LOCATION: _____

TYPE: _____ PROJECT: _____

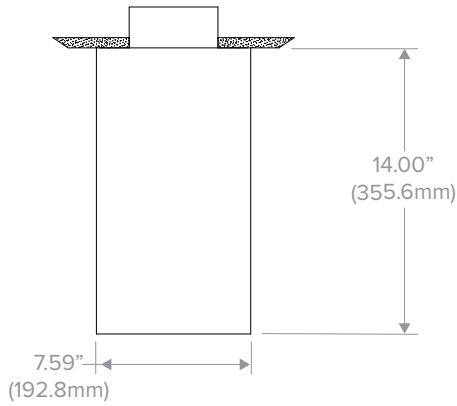
CATALOG #: _____

PERFORMANCE DATA TABLE CONTINUED

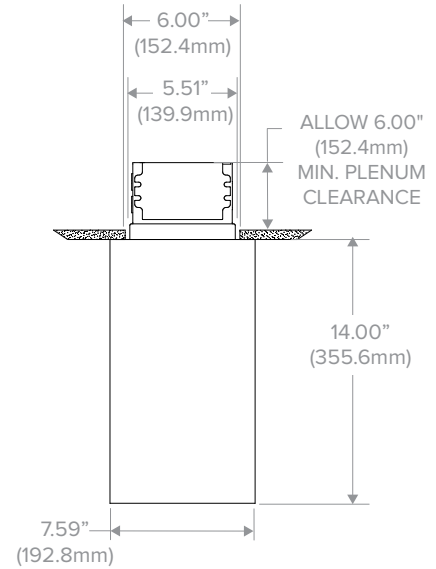
Performance data provided below is for 3500K, 80 CRI with Specular Clear reflector finish/color

Lumen Package	Nominal Lumens	Distribution	Delivered Lumens	Watts	LPW
50L	5000	Very Narrow	5147	48.7	106
		Narrow	5388	48.7	111
		Medium	5037	48.7	103
		Wide	4268	48.7	88
		Extra Wide	4038	48.7	83
55L	5500	Very Narrow	5708	53.9	106
		Narrow	5975	53.9	111
		Medium	5585	53.9	104
		Wide	4734	53.9	88
		Extra Wide	4478	53.9	83
60L	6000	Very Narrow	6358	60.7	105
		Narrow	6656	60.7	110
		Medium	6221	60.7	103
		Wide	5273	60.7	87
		Extra Wide	4987	60.7	82
70L	7000	Very Narrow	7413	72.1	103
		Narrow	7760	72.1	108
		Medium	7254	72.1	101
		Wide	6147	72.1	85
		Extra Wide	5815	72.1	81
80L	8000	Very Narrow	8342	84.3	99
		Narrow	8732	84.3	104
		Medium	8162	84.3	97
		Wide	6917	84.3	82
		Extra Wide	6543	84.3	78
90L	9000	Very Narrow	9460	98.1	96
		Narrow	9903	98.1	101
		Medium	9257	98.1	94
		Wide	7845	98.1	80
		Extra Wide	7421	98.1	76

DIMENSIONS

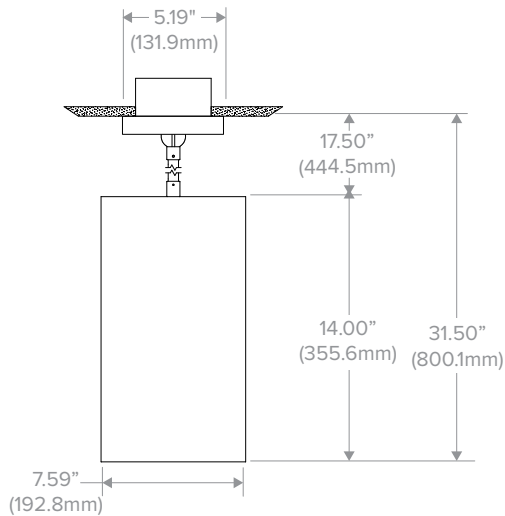


Integral Driver

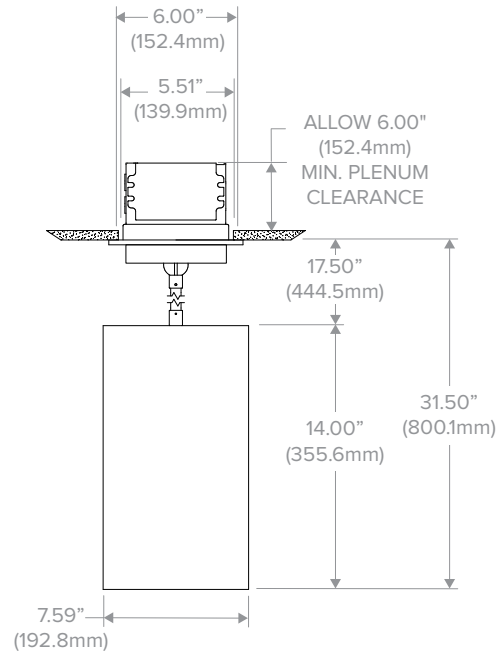


Remote Driver
For DMX, all NX or Lutron Vibe Controls

Surface (-S)



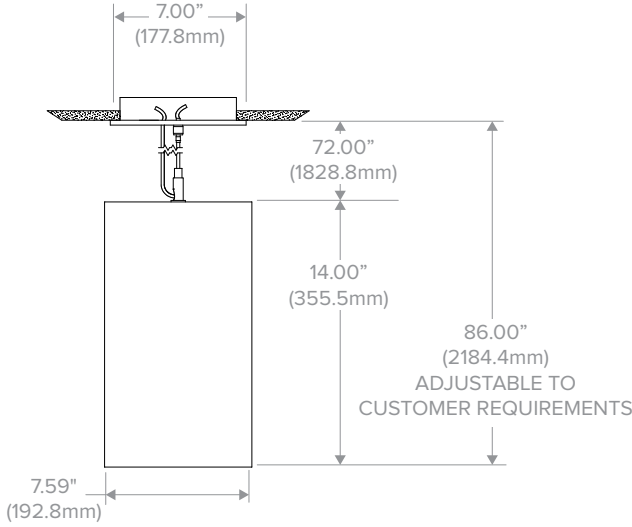
Integral Driver



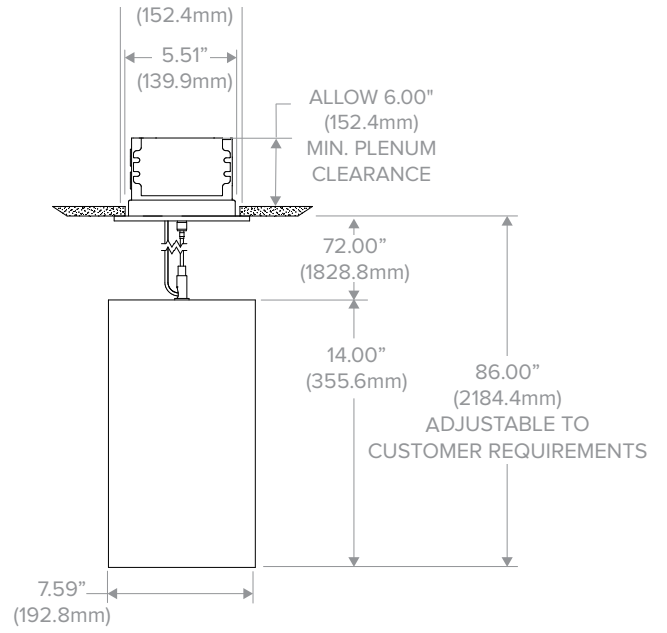
Remote Driver
For DMX, all NX or Lutron Vibe Controls

Pendant (-P)

DIMENSIONS (CONTINUED)

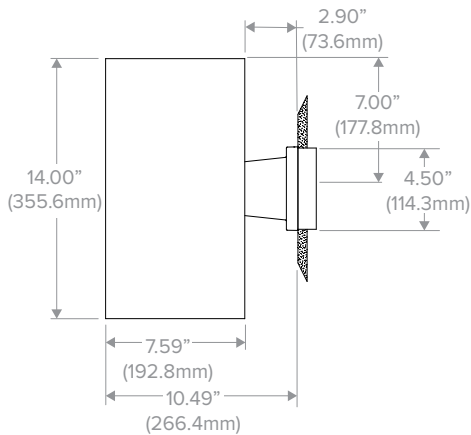


Integral Driver

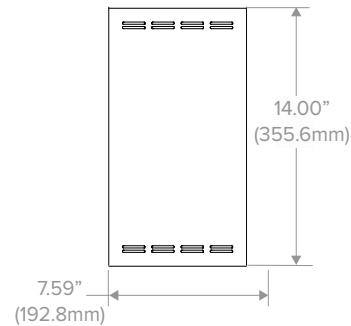


Remote Driver
For DMX, all NX or Lutron Vive Controls

Cord (-CM)



Integral Driver
Wall (-W)



Vented Detail View
For 60L and 70L
(All Mounting)

PHOTOMETRY

LTC-6SQD-P-20L35K8VNR-DM1-S-BL

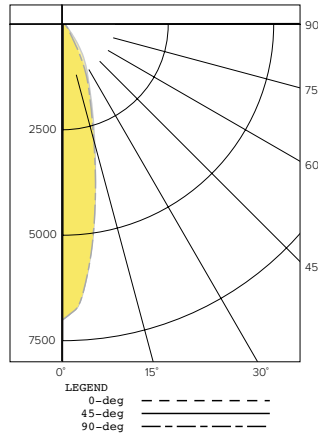
LUMINAIRE DATA

Test No.	R19.00934-C01
Description	2000 lm, Very Narrow, 3500K, 80 CRI
Delivered Lumens	2282
Watts	22.8W
Efficacy	100
Mounting	Recessed
Spacing Criterion	0.4
Beam Angle (FWHM)	25

ZONAL LUMEN SUMMARY

Zone	Lumens	% Luminaire
0-40	2282	95.1
0-60	2274	99.7
0-90	2282	100.0
0-180	2282	100.0

POLAR GRAPH



CANDELA DISTRIBUTION

Degree	Candela - 0	Candela - 45	Candela - 90
0	7034	7034	7034
5	6158	6172	6176
15	2778	2894	2806
25	1214	1390	1221
35	266	580	269
45	88	116	90
55	17	23	21
65	4	4	4
75	2	2	2
85	0	1	0
90	0	0	0

LTC-6SQD-P-20L35K8NR-DM1-S-BL

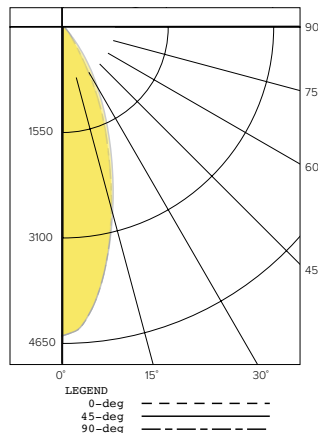
LUMINAIRE DATA

Test No.	R19.00935-01
Description	2000 lm, Narrow, 3500K, 80 CRI
Delivered Lumens	2252
Watts	22.8W
Efficacy	98.7
Mounting	Pendant
Spacing Criterion	0.6
Beam Angle (FWHM)	36

ZONAL LUMEN SUMMARY

Zone	Lumens	% Luminaire
0-40	2124	94.3
0-60	2244	99.7
0-90	2252	100.0
0-180	2252	100.0

POLAR GRAPH



CANDELA DISTRIBUTION

Degree	Candela - 0	Candela - 45	Candela - 90
0	4567	4567	4567
5	4305	4307	4304
15	2800	2874	2805
25	1334	1536	1343
35	342	628	344
45	99	134	101
55	19	26	19
65	4	5	4
75	2	2	2
85	0	1	0
90	0	0	0

LTC-6SQD-P-20L35K8MD-DM1-S-BL

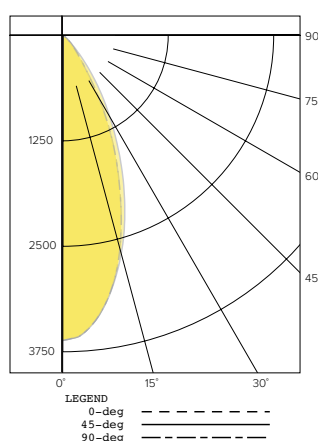
LUMINAIRE DATA

Test No.	R19.01046-01
Description	2000 lm, Medium, 3500K, 80 CRI
Delivered Lumens	2206
Watts	22.8W
Efficacy	96.8
Mounting	Pendant
Spacing Criterion	0.7
Beam Angle (FWHM)	43

ZONAL LUMEN SUMMARY

Zone	Lumens	% Luminaire
0-40	2062	93.5
0-60	2199	99.7
0-90	2206	100.0
0-180	2206	100.0

POLAR GRAPH



CANDELA DISTRIBUTION

Degree	Candela - 0	Candela - 45	Candela - 90
0	3615	3615	3615
5	3486	3487	3485
15	2608	2668	2602
25	1387	1592	1385
35	413	684	414
45	112	155	112
55	20	29	20
65	4	5	4
75	2	2	2
85	0	1	0
90	0	0	0

LTC-6SQD

LITEISTRY 6" SQUARE CYLINDER

DATE: _____ LOCATION: _____

TYPE: _____ PROJECT: _____

CATALOG #: _____

PHOTOMETRY (CONTINUED)

LTC-6SQD-P-20L35K8WD-DM1-S-BL

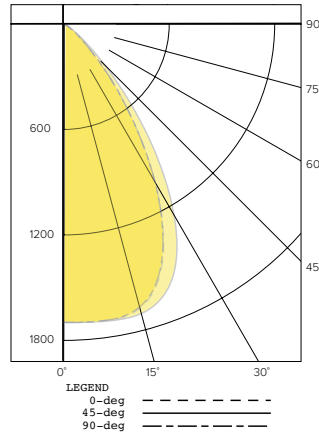
LUMINAIRE DATA

Test No.	R19.00936-01
Description	2000 lm, Wide, 3500K, 80 CRI
Delivered Lumens	2031
Watts	22.8W
Efficacy	89.0
Mounting	Pendant
Spacing Criterion	1.0
Beam Angle (FWHM)	65

ZONAL LUMEN SUMMARY

Zone	Lumens	% Luminaire
0-40	1768	87.0
0-60	2020	99.5
0-90	2031	100.0
0-180	2031	100.0

POLAR GRAPH



CANDELA DISTRIBUTION

Degree	Candela - 0	Candela - 45	Candela - 90
0	1697	1697	1697
5	1701	1702	1701
15	1671	1704	1664
25	1335	1501	1326
35	701	915	697
45	205	308	207
55	31	54	32
65	6	7	6
75	3	3	3
85	1	1	1
90	0	0	0

LTC-6SQD-P-20L35K8XW-DM1-S-BL

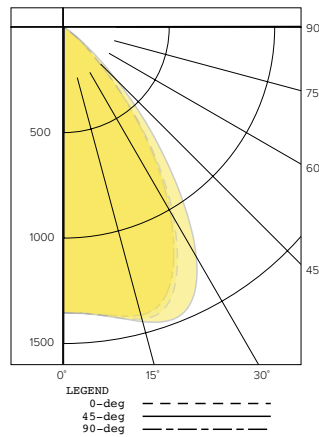
LUMINAIRE DATA

Test No.	R19.01047-01
Description	2000 lm, Extra Wide, 3500K, 80 CRI
Delivered Lumens	1975
Watts	22.7W
Efficacy	87.0
Mounting	Pendant
Spacing Criterion	1.2
Beam Angle (FWHM)	69

ZONAL LUMEN SUMMARY

Zone	Lumens	% Luminaire
0-40	1670	84.5
0-60	1964	99.4
0-90	1975	100.0
0-180	1975	100.0

POLAR GRAPH



CANDELA DISTRIBUTION

Degree	Candela - 0	Candela - 45	Candela - 90
0	1354	1354	1354
5	1364	1365	1363
15	1432	1445	1413
25	1275	1436	1236
35	775	970	747
45	244	367	240
55	36	64	36
65	7	8	7
75	3	3	3
85	1	1	1
90	0	0	0

LUMEN MULTIPLIER

Option	27K8	30K8	35K8	40K8	50K8	27K9	30K9	35K9	40K9
Multiplier	0.94	0.98	1.00	1.01	1.02	0.81	0.84	0.85	0.85

Photometrics are published below at a nominal 3500 Kelvin, 80+ CRI. This table may be used to approximate the lumen values at different Kelvin temperatures. Power consumption would stay the same.



LTC-6SQD

LITEISTRY 6" SQUARE CYLINDER

DATE: _____ LOCATION: _____

TYPE: _____ PROJECT: _____

CATALOG #: _____

ELECTRICAL DATA

DRIVER DATA		
Input Voltage	120-277 V	347 V
Input Frequency	50/60 Hz	50/60 Hz
Power Factor	≥0.90	≥0.90
THD	<20%	<20%
EMI Filtering (FCC 47 CFR Part 15)	Class A	Class A
Operating Temperature	-20° C to 40° C	-20° C to 40° C

* Values for DM1 option shown, values for other dimming options may vary.

WATTAGE DATA		
Lumen Output	Nominal Lumens	WATTAGE
06L	600	8
10L	1000	12
15L	1500	19
20L	2000	23
25L	2500	28
30L	3000	35
35L	3500	43
40L	4000	52
45L	4500	55
50L	5000	49
55L	5500	54
60L	6000	61
70L	7000	72

* Wattage may vary based on configuration and options selected

ADDITIONAL INFORMATION

DIMMING COMPATIBILITY CHART		
Dimming Driver	Manufacturer	Web Link
DM/DM01	Lutron DVTV	http://bit.ly/11jSvZg
DM1	Leviton AWRMG-7xx, AWSMG-7xx, AWSMT-7xx	http://bit.ly/1BjN2R9
EDM	Lutron	http://bit.ly/1vtjHAI
2DM	Lutron	http://bit.ly/1S4WjXK

DMX

See instruction sheet on www.prescolite.com for connection & installation information.

ENERGY STAR® Certified Models

For a list of certified models, click on the ENERGY STAR® MODELS link or visit www.energystar.gov.