

LTR-6SQDPH

LITEISTRY 6" SQUARE DOWNLIGHT WITH POWERHUBB™

LITEISTRY™

FEATURES

- 6" architectural LED downlight delivering 600 – 4000 lm
- Five beam distributions from 0.4 to 1.2 Spacing Criteria
- Quiet reflector appearance with superior 50° optical cutoff
- 2700K – 5000K, 80+ and 90+ CRI options
- Available in New Construction (non-IC) and IC applications
- PowerHUBB™ enables low-voltage wired connectivity for Power over Ethernet (PoE) network system deployment



RELATED PRODUCTS

- Ø 3" LITEISTRY Family
- Ø 4" LITEISTRY Family
- Ø 6" LITEISTRY Family

CONTROL TECHNOLOGY



SPECIFICATIONS

CONSTRUCTION

- Standard Non-IC or optional IC.
- New Construction: Painted black durable steel platform with pre-installed bar hangers
- Pre-wired junction box with snap-on covers for easy access
- Snap-in connection from driver compartment allows easy installation
- Light Engine connections use plenum rated (CMP) cable

OPTICS

- Visually pleasing 50° cutoff to source and source image
- The light distribution is free of distracting bright spots or pixelation and the perimeter has a smooth transition
- Optical grade silicone lens integral to light engine
- High purity four-panel aluminum reflector, self-flanged
- Flush Mount flange option with mud-in ring available
- Large selection of anodized finishes and colors
- Painted cones and flange options available

ELECTRICAL

- Chip-on-board (COB) LED with 2 SDCM
- Multiple CCTs, 80+ or 90+ CRI
- Long LED life: L90 at >55,000 hours (TM-21)
- PowerHUBB™ enables low-voltage wired connectivity for Power over Ethernet (PoE) network system deployment
- EMI Filtering (FCC 47 CFR Part 15) Class A

INSTALLATION

- Accommodates ceiling thicknesses up to 1.25"
- Universal adjustable mounting brackets also accept ½" EMT conduit or 1½" or ¾" lathing channel (by others) or Prescolite accessory bar hangers (B24 or B6).
- Light Engine/PowerHUBB node fully serviceable from above or below the ceiling

CERTIFICATIONS

- cCSAus certified to UL 2108
- Suitable for wet locations, covered ceiling. EM/EMR: Suitable for damp locations.
- This product qualifies as a "designated country construction material" per FAR 52.225-11 Buy American-Construction. Materials under Trade Agreements effective 6/6/2020. See [Buy American Solutions](#).

WARRANTY

- 5 year warranty
- See [HLI Standard Warranty](#) for additional information

KEY DATA	
Lumen Range	600–4000
Wattage Range	8–52
Efficacy Range (LPW)	87–99*
Life (Hours)	L90 / >55,000
Input Current (mA)	N/A

*Based on Specular, 35K, 80 CRI



LTR-6SQDPH

LITEISTRY 6" SQUARE DOWNLIGHT WITH POWERHUBB™

DATE: _____ LOCATION: _____

TYPE: _____ PROJECT: _____

CATALOG #: _____

ORDERING GUIDE

Example: LTR-6SQDPH-H-SL10L-PMC-LTR-6SQD-T-SL35K8MDSS

CATALOG #

HOUSING

LTR-6SQDPH-H		Lumen Package		Lumen Output		PowerHUBB Node		Housing Options	
Aperture/Shape/Function									
LTR-6SQDPH-H	6" Square Downlight New Construction Housing	SL	Standard Lumen	06L	600	PM	PowerHUBB™, On/Off/1% Dim, Master	IC	IC rated ⁴
				10L	1000				
				15L	1500				
		ML	Medium Lumen	20L	2000	PMC	PowerHUBB™, On/Off/1% Dim, Control Inputs, Master		
				25L	2500				
				30L	3000				
		HL	High Lumen	35L	3500	PS	PowerHUBB™, On/Off/1% Dim, Satellite		
				40L	4000				

TRIM

LTR-6SQD-T		Lumen Package		CCT	CRI	Distribution					
Aperture/Shape/Function											
LTR-6SQD-T	6" Square Downlight Light Engine/Trim Assembly	SL	Standard Lumen	27K	2700K	8	80+CRI	VNR	Very Narrow (0.4 SC/25°) ⁶		
				30K	3000K			9	90+CRI	NR	Narrow (0.6 SC/36°)
				35K	3500K					MD	Medium (0.7 SC/43°)
		ML	Medium Lumen	40K	4000K	WD	Wide (1.0 SC/65°)				
				50K	5000K ¹	XW	Extra Wide (1.2 SC/69°)				

TRIM (CONTINUED)

Reflector Finish	Reflector Color	Flange Color Options	Lower Trim Options	Reflector Options
<i>Finish not applicable with painted reflectors (WC or BC)</i>	<i>Standard Clear</i>	<i>Standard matches reflector color</i>	FM Flush Mount Mud-in Ring ⁵	AM Antimicrobial Coating ³
S Specular	CG Champagne Gold	WT White Flange ²		
SS Semi-Specular	BL Black	BT Black Flange ²		
VS Softglow®	LW Light Wheat			
VSS SoftSheen™	PW Pewter			
	WC Painted White Cone and Flange			
	BC Painted Black Cone and Flange			

Accessories

- B24** Set of two (2) 24" bar hangers for T-bar ceilings
- B6** Set of two bar hangers for ceiling joist up to 24" centers
- FMR6-SQ** Flush Mount Mud-In Ring, 6" Square
- MOR6-SQ-WH** Metal Oversized Ring, 6" Square, White (10.25" outer dimension)
- MOR6-SQ-BL** Metal Oversized Ring, 6" Square, Black (10.25" outer dimension)

Notes:

- 1 5000K available in 80+ CRI only.
- 2 WT not needed for WC, BT not needed for BC.
- 3 AM available with WC or Specular Clear (S or SWT). Consult factory for other colors.
- 4 IC available up to 20L.
- 5 Flush Mount Flange (FM) requires FMR accessory (sold separately).
- 6 VNR not available with IC or CP options.



LTR-6SQDPH

LITEISTRY 6" SQUARE DOWNLIGHT WITH POWERHUBB™

DATE: _____ LOCATION: _____

TYPE: _____ PROJECT: _____

CATALOG #: _____

PERFORMANCE DATA TABLE

Performance data provided below is for 3500K, 80 CRI with Specular Clear reflector finish/color

Lumen Package	Nominal Lumens	Distribution	Delivered Lumens	Watts	LPW
06L	600	Very Narrow	723	7.8	93
		Narrow	757	7.8	97
		Medium	708	7.8	91
		Wide	600	7.8	77
		Extra Wide	567	7.8	73
10L	1000	Very Narrow	1155	12.0	96
		Narrow	1210	12.0	101
		Medium	1131	12.0	94
		Wide	958	12.0	80
		Extra Wide	906	12.0	76
15L	1500	Very Narrow	1660	18.7	89
		Narrow	1738	18.7	93
		Medium	1624	18.7	87
		Wide	1377	18.7	74
		Extra Wide	1302	18.7	70
20L	2000	Very Narrow	2282	22.7	101
		Narrow	2282	22.8	100
		Medium	2206	22.8	97
		Wide	2031	22.8	89
		Extra Wide	1975	22.8	87
25L	2500	Very Narrow	2774	27.7	100
		Narrow	2903	27.7	105
		Medium	2714	27.7	98
		Wide	2300	27.7	83
		Extra Wide	2176	27.7	79
30L	3000	Very Narrow	3305	34.3	96
		Narrow	3460	34.3	101
		Medium	3234	34.3	94
		Wide	2741	34.3	80
		Extra Wide	2593	34.3	76
35L	3500	Very Narrow	4015	43.0	93
		Narrow	4203	43.0	98
		Medium	3928	43.0	91
		Wide	3329	43.0	77
		Extra Wide	3149	43.0	73
40L	4000	Very Narrow	4589	51.6	89
		Narrow	4804	51.6	93
		Medium	4491	51.6	87
		Wide	3806	51.6	74
		Extra Wide	3600	51.6	70

LTR-6SQDPH

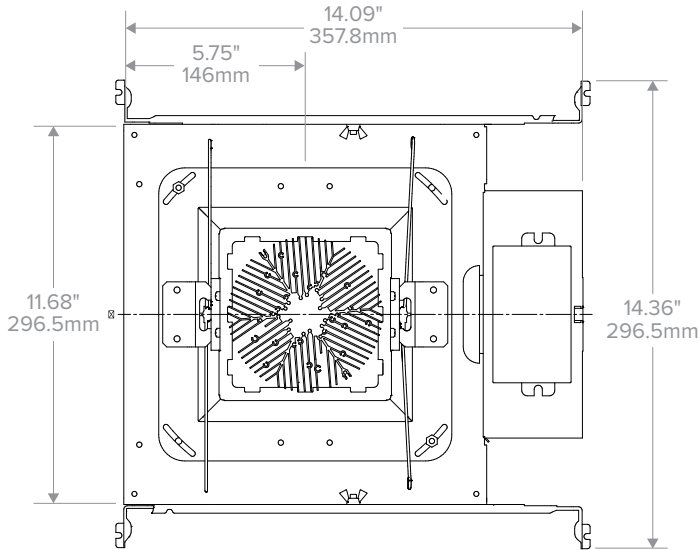
LITEISTRY 6" SQUARE DOWNLIGHT WITH POWERHUBB™

DATE: _____ LOCATION: _____

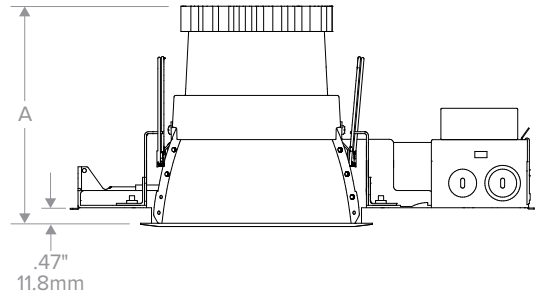
TYPE: _____ PROJECT: _____

CATALOG #: _____

DIMENSIONS



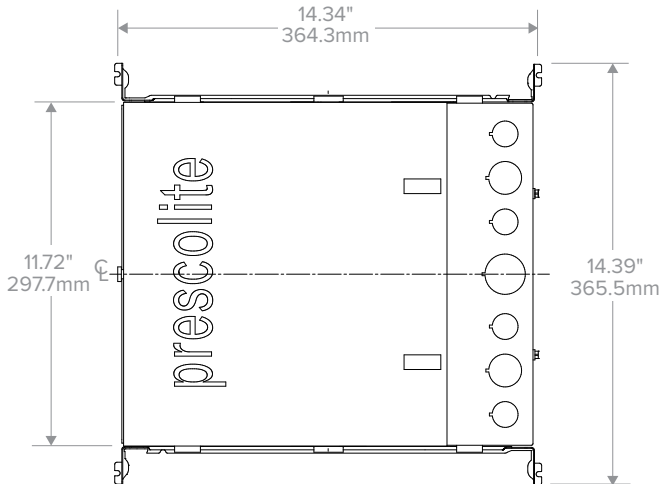
Top View



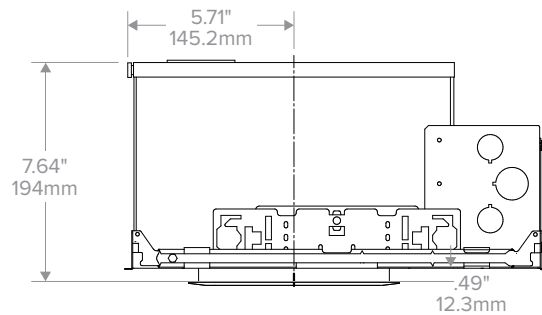
Dimensional Data		
Aperture		6.00" (152.4mm) SQ
Flange	Standard	7.25" (184.2mm) SQ
	Flush Mount	6.47" (164.3mm) SQ
Ceiling Cutout	Standard	6.69" (169.9mm) SQ
	Flush Mount	6.75" (171.5mm) SQ
Ceiling Thickness		0.50" to 1.25" (12.7mm to 31.8mm)

Lumen Package	"A"
06L-15L	6.00" (152.4mm)
20L-30L	6.78" (172.2mm)
35L-40L	7.96" (202.2mm)

LTR-6SQDPH-H New Construction



Top View



Dimensional Data		
Aperture		6.00" (152.4mm) SQ
Flange	Standard	7.25" (184.2mm) SQ
	Flush Mount	6.47" (164.3mm) SQ
Ceiling Cutout	Standard	6.69" (169.9mm) SQ
	Flush Mount	6.75" (171.5mm) SQ
Ceiling Thickness		0.50" to 1.25" (12.7mm to 31.8mm)

LTR-6SQDPH-H IC

LTR-6SQDPH

LITEISTRY 6" SQUARE DOWNLIGHT WITH POWERHUBB™

PHOTOMETRY

LTR-6SQD-H-ML20L-DM1 / LTR-6SQD-T-ML35K8VNR-S

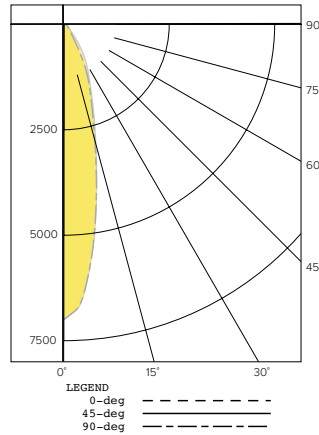
LUMINAIRE DATA

Test No.	19.00934
Description	2000 lm, Very Narrow, 3500K, 80 CRI
Delivered Lumens	2282
Watts	22.8W
Efficacy	100
Mounting	Recessed
Spacing Criterion	0.4
Beam Angle (FWHM)	25

ZONAL LUMEN SUMMARY

Zone	Lumens	% Luminaire
0-40	2282	95.1
0-60	2274	99.7
0-90	2282	100.0
0-180	2282	100.0

POLAR GRAPH



CANDELA DISTRIBUTION

Degree	Candela - 0	Candela - 45	Candela - 90
0	7034	7034	7034
5	6158	6172	6176
15	2778	2894	2806
25	1214	1390	1221
35	266	580	269
45	88	116	90
55	17	23	21
65	4	4	4
75	2	2	2
85	0	1	0
90	0	0	0

LTR-6SQDPH-H-ML20L-PMC / LTR-6SQD-T-ML35K8NRS

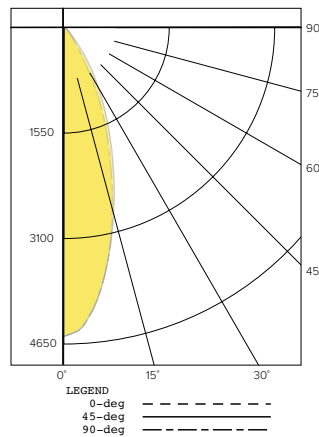
LUMINAIRE DATA

Test No.	R19.00935-01
Description	2000 lm, Narrow, 3500K, 80 CRI
Delivered Lumens	2252
Watts	22.8W
Efficacy	98.7
Mounting	Recessed
Spacing Criterion	0.6
Beam Angle (FWHM)	36

ZONAL LUMEN SUMMARY

Zone	Lumens	% Luminaire
0-40	2124	94.3
0-60	2244	99.7
0-90	2252	100.0
0-180	2252	100.0

POLAR GRAPH



CANDELA DISTRIBUTION

Degree	Candela - 0	Candela - 45	Candela - 90
0	4567	4567	4567
5	4305	4307	4304
15	2800	2874	2805
25	1334	1536	1343
35	342	628	344
45	99	134	101
55	19	26	19
65	4	5	4
75	2	2	2
85	0	1	0
90	0	0	0

LTR-6SQDPH-H-ML20L-PMC / LTR-6SQD-T-ML35K8MDS

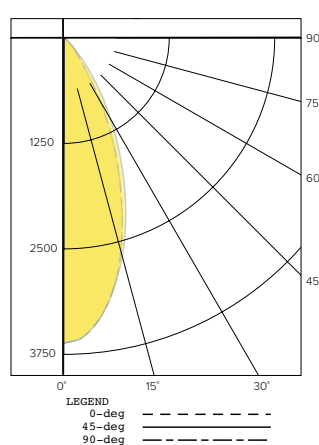
LUMINAIRE DATA

Test No.	R19.01046-01
Description	2000 lm, Medium, 3500K, 80 CRI
Delivered Lumens	2206
Watts	22.8W
Efficacy	96.8
Mounting	Recessed
Spacing Criterion	0.7
Beam Angle (FWHM)	43

ZONAL LUMEN SUMMARY

Zone	Lumens	% Luminaire
0-40	2062	93.5
0-60	2199	99.7
0-90	2206	100.0
0-180	2206	100.0

POLAR GRAPH



CANDELA DISTRIBUTION

Degree	Candela - 0	Candela - 45	Candela - 90
0	3615	3615	3615
5	3486	3487	3485
15	2608	2668	2602
25	1387	1592	1385
35	413	684	414
45	112	155	112
55	20	29	20
65	4	5	4
75	2	2	2
85	0	1	0
90	0	0	0

LTR-6SQDPH

LITEISTRY 6" SQUARE DOWNLIGHT WITH POWERHUBB™

PHOTOMETRY CONTINUED

LTR-6SQDPH-H-ML20L-PMC / LTR-6SQD-T-ML35K8WDS

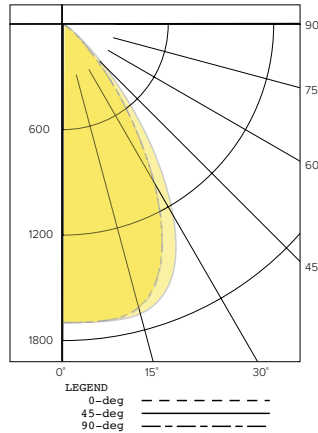
LUMINAIRE DATA

Test No.	R19.00936-01
Description	2000 lm, Wide, 3500K, 80 CRI
Delivered Lumens	2031
Watts	22.8W
Efficacy	89.0
Mounting	Recessed
Spacing Criterion	1.0
Beam Angle (FWHM)	65

ZONAL LUMEN SUMMARY

Zone	Lumens	% Luminaire
0-40	1768	87.0
0-60	2020	99.5
0-90	2031	100.0
0-180	2031	100.0

POLAR GRAPH



CANDELA DISTRIBUTION

Degree	Candela - 0	Candela - 45	Candela - 90
0	1697	1697	1697
5	1701	1702	1701
15	1671	1704	1664
25	1335	1501	1326
35	701	915	697
45	205	308	207
55	31	54	32
65	6	7	6
75	3	3	3
85	1	1	1
90	0	0	0

LTR-6SQDPH-H-ML20L-PMC / LTR-6SQD-T-ML35K8XWS

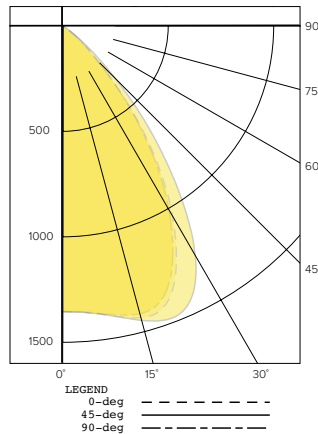
LUMINAIRE DATA

Test No.	R19.01047-01
Description	2000 lm, Extra Wide, 3500K, 80 CRI
Delivered Lumens	1975
Watts	22.7W
Efficacy	87.0
Mounting	Recessed
Spacing Criterion	1.2
Beam Angle (FWHM)	69

ZONAL LUMEN SUMMARY

Zone	Lumens	% Luminaire
0-40	1670	84.5
0-60	1964	99.4
0-90	1975	100.0
0-180	1975	100.0

POLAR GRAPH



CANDELA DISTRIBUTION

Degree	Candela - 0	Candela - 45	Candela - 90
0	1354	1354	1354
5	1364	1365	1363
15	1432	1445	1413
25	1275	1436	1236
35	775	970	747
45	244	367	240
55	36	64	36
65	7	8	7
75	3	3	3
85	1	1	1
90	0	0	0

LUMEN MULTIPLIER

Option	27K8	30K8	35K8	40K8	50K8	27K9	30K9	35K9	40K9
Multiplier	0.94	0.98	1.00	1.01	1.02	0.81	0.84	0.85	0.85

Photometrics are published below at a nominal 3500 Kelvin, 80+ CRI. This table may be used to approximate the lumen values at different Kelvin temperatures. Power consumption would stay the same.

LTR-6SQDPH

LITEISTRY 6" SQUARE DOWNLIGHT WITH POWERHUBB™

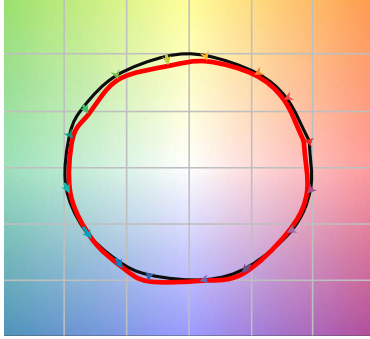
DATE: _____ LOCATION: _____

TYPE: _____ PROJECT: _____

CATALOG #: _____

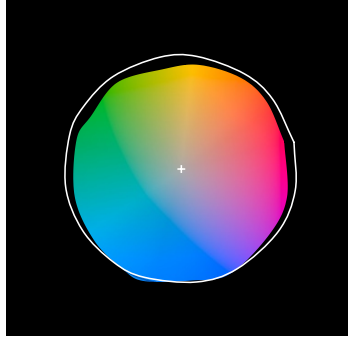
TM-30 DATA

COLOR VECTOR GRAPHIC
3500K, 90 CRI



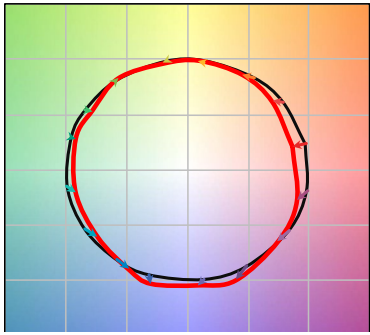
— Reference Illuminant — Test Source

COLOR DISTORTION GRAPHIC
3500K, 90 CRI



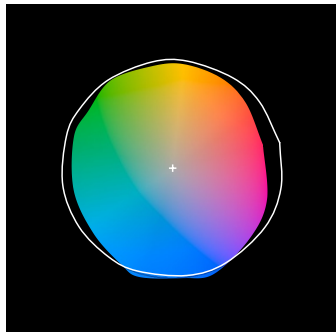
TEST RESULTS - 3500K		
Value	80+ CRI	90+ CRI
R_t	84	88
R_g	95	95
CCT (K)	3411	3419
D_{uv}	0.0015	0.0042
x	0.4120	0.4147
y	0.3974	0.4052
CIE R_a	84	93
CIE R_g	11	62

COLOR VECTOR GRAPHIC
3500K, 80 CRI



— Reference Illuminant — Test Source

COLOR DISTORTION GRAPHIC
3500K, 80 CRI





LTR-6SQDPH

LITEISTRY 6" SQUARE DOWNLIGHT WITH POWERHUBB™

DATE: _____ LOCATION: _____

TYPE: _____ PROJECT: _____

CATALOG #: _____

ELECTRICAL DATA

WATTAGE DATA		
Lumen Output	Nominal Lumens	WATTAGE
06L	600	8
10L	1000	12
15L	1500	19
20L	2000	23
25L	2500	28
30L	3000	35
35L	3500	43
40L	4000	52

* Wattage may vary based on configuration and options selected

ADDITIONAL INFORMATION



Hubbell Control Solutions' PowerHUBB™ is an enterprise-level Power over Ethernet (PoE) lighting and control platform that seamlessly integrates luminaires, sensors, user interfaces and software for a scalable intelligent building control solution.

See separate [PowerHUBB™ In-Fixture Solutions Guide](#) and [Hubbell Control Solutions PowerHUBB Brochure](#) for more details.