

# LTR-6SQW Lens

LITEISTRY 6" SQUARE LENSED WALL WASH (LWW)

LITEISTRY™

## FEATURES

- 6" architectural LED lensed wall wash delivering 600–4500 lm
- Provides smooth uniform vertical illumination
- 2700K–5000K, 80+ and 90+ CRI options
- Available for New Construction (non-IC), IC and Chicago Plenum applications
- Variety of dimming protocol options including 0–10V, DALI, DMX, Lutron Forward Phase and EcoSystem
- NX Distributed Intelligence™ wired and wireless controls capability available



## RELATED PRODUCTS

- Ø 3" LITEISTRY Family
- Ø 4" LITEISTRY Family
- Ø 6" LITEISTRY Family

## CONTROL TECHNOLOGY



## SPECIFICATIONS

### CONSTRUCTION

- Standard Non-IC. Chicago Plenum and IC options
- New Construction: Painted black durable steel platform with pre-installed bar hangers
- Pre-wired junction box with snap-on covers for easy access
- Snap-in connection from driver compartment allows easy installation
- Light Engine connections use plenum rated (CMP) cable

### OPTICS

- Provides excellent uniformity down the wall
- The light distribution is free of distracting bright spots or pixelation and the perimeter has a smooth transition
- High purity four panel aluminum reflector, self-flanged
- Flush mount flange option with mud-in ring available
- Large selection of anodized finishes and colors
- Painted cones and flange options available

### ELECTRICAL

- Chip-on-board (COB) LED with 2 SDCM
- Multiple CCTs, 80+ or 90+ CRI
- Long LED life: L90 at >55,000 hours (TM-21)
- Universal voltage 120V–277V driver, 347V optional
- UL Class 2, inherent short circuit and overload protection, RoHS compliant
- Flicker free 0–10V dimming with 1%, or <1% performance
- DALI, DMX, and Lutron Forward Phase and EcoSystem options
- NX or Lutron Vive control options available
- Emergency battery pack option available with remote test switch and indicator light
- Refer to additional spec sheets for information on SpectraSync™ Tunable White or Dim-to-Warm or PowerHUBB™ PoE enabled solutions

### INSTALLATION

- Accommodates ceiling thicknesses up to 1.25"
- Universal adjustable mounting brackets also accept ½" EMT conduit or 1½" or ¾" lathing channel (by others) or Prescolite accessory bar hangers (B24 or B6)
- Light engine/driver fully serviceable from above or below the ceiling

### CERTIFICATIONS

- cCSAus certified to UL 1598
- Suitable for wet location, covered ceiling EMR: Suitable for damp locations
- EMR: Certified under UL 924 standard for emergency lighting and power equipment
- Approved for 8 (4 in/4 out) No. 12AWG conductors rated for 90°C through wiring
- This product qualifies as a "designated country construction material" per FAR 52.225-11 Buy American-Construction. Materials under Trade Agreements effective 6/6/2020. See [Buy American Solutions](#).

### WARRANTY

- 5 year warranty
- See [HLI Standard Warranty](#) for additional information

KEY DATA	
Lumen Range	600–4500
Wattage Range	8–55
Efficacy Range (LPW)	90*
Life (Hours)	L90 / >55,000
Input Current (mA)	67–458 (120V)

\* Based on Specular, 35K, 80 CRI



# LTR-6SQW Lens

LITEISTRY 6" SQUARE LENSED WALL WASH (LWW)

DATE: \_\_\_\_\_ LOCATION: \_\_\_\_\_

TYPE: \_\_\_\_\_ PROJECT: \_\_\_\_\_

CATALOG #: \_\_\_\_\_

## ORDERING GUIDE

Example: LTR-6SQD-H-SL10L-DM1-LTR-6SQW-T-SL35K8LWW-S

CATALOG # \_\_\_\_\_

### HOUSING

LTR-6SQD-H		Lumen Package		Lumen Output		Driver Options <sup>3</sup>		Control Options		Voltage		Housing Options									
Aperture/Shape/Function																					
LTR-6SQD-H	6" Square Downlight / Wall Wash New Construction Housing	SL	Standard Lumen	06L	600	DM1	0-10V Dimming to 1%	NXE	NX Enabled, Dual SmartPorts <sup>4</sup>	Standard	120-277V	CP	Chicago Plenum <sup>1,9</sup>								
				10L	1000									DM01	0-10V Dimming to < 1%	NXWE	NX Wireless Enabled <sup>4</sup>	34	347V <sup>8</sup>	IC	IC rated <sup>1,10</sup>
				15L	1500																
		ML	Medium Lumen	20L	2000	DMX	DMX with RDM dimming to < 0.1% <sup>3</sup>	NXWD	NX Wireless Enabled, Dual SmartPorts <sup>4</sup>	LV	Lutron Vive Enabled, 0-10V (requires 0-10V driver)	EMR	Emergency Battery Pack with remote test switch and indicator light <sup>1</sup>								
				25L	2500									2DM	Lutron Hi-Lume 2-wire Dimming to 1% (120V Forward Phase only) <sup>3</sup>	DTS	Device Transfer Switch with Dimming Bypass <sup>1,11</sup>				
				30L	3000																
		HL	High Lumen	35L	3500	EDM	Lutron Hi-Lume EcoSystem Dimming to 1% <sup>3</sup>	LVE	Lutron Vive Enabled, EcoSystem, (requires EDM)	F	Fuse <sup>1</sup>										
				40L	4000																
				45L	4500																

### TRIM

LTR-6SQW-T		Lumen Package		CCT		CRI		Distribution			
Aperture/Shape/Function											
LTR-6SQW-T	6" Square Wall Wash Engine/Trim Assembly	SL	Standard Lumen	27K	2700K	8	80+CRI	LWW	Lensed Wall Wash		
		ML	Medium Lumen	30K	3000K	9	90+CRI				
		HL	High Lumen	35K	3500K	40K	4000K			50K	5000K <sup>2</sup>
				40K	4000K						
				50K	5000K <sup>2</sup>						

### TRIM CONTINUED

Reflector Finish		Reflector Color		Flange Color Options		Lower Trim Options		Reflector Options	
<i>Finish not applicable with painted reflectors (WC or BC)</i>		<i>Standard Clear</i>		<i>Standard matches reflector color</i>		FM	Flush Mount Mud-in Ring <sup>7</sup>	AM	Antimicrobial Coating <sup>6</sup>
S	Specular	CG	Champagne Gold	WT	White Flange <sup>5</sup>	WF	Wide Flange		
SS	Semi-Specular	BL	Black	BT	Black Flange <sup>5</sup>				
MFC	American Matte™	LW	Light Wheat						
VS	Softglow®	PW	Pewter						
VSS	SoftSheen™	WC	Painted White Cone and Flange						
		BC	Painted Black Cone and Flange						

### Accessories

- B24** Set of two (2) 24" bar hangers for T-bar ceilings
- B6** Set of two bar hangers for ceiling joist up to 24" centers
- FMR6-SQ** Flush Mount Flange Mud-In Ring, 6" Square
- LiteGear** LiteGear® Inverter, 125VA–250VA
- LPS Series** LightPower Micro-Inverter, 20VA-55VA
- MOR6-SQ-WH** Metal Oversized Ring, 6" Square, White (10.25" outer dimension)
- MOR6-SQ-BL** Metal Oversized Ring, 6" Square, Black (10.25" outer dimension)

### Notes:

- 1 Housing options (except Fuse) not available in combination.
- 2 5000K available in 80+ CRI only.
- 3 2DM, EDM, DMX available in 10L–35L.
- 4 NX requires or DM1 driver option.
- 5 WT not needed for WC, BT not needed for BC.
- 6 AM available with WC or Specular Clear (S or SWT). Consult factory for other colors.
- 7 Flush mount flange (FM) requires FMR accessory (sold separately).
- 8 347V requires DM1 option; not available in 06L or with Controls, F, DTS, GTD or EMR.
- 9 CP available up to 20L, not available with DMX or Controls, or EMR options.
- 10 IC available up to 20L; not available with Controls options.
- 11 DTS available with DM1, DM01, DALI, or EDM; not available with LVE.

# LTR-6SQW Lens

LITEISTRY 6" SQUARE LENSED WALL WASH (LWW)

## CONTROLS

### NX Distributed Intelligence™ Lighting Controls:

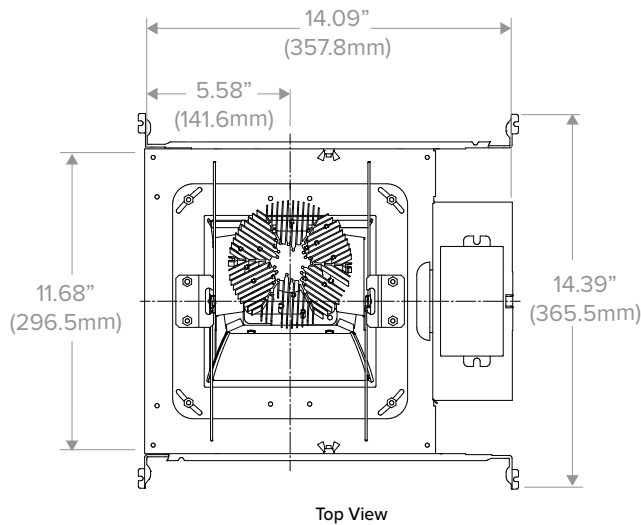
Supports applications in a variety of deployment options- wired, wireless, hybrid. Integrates with and enables a wide array of luminaires including those with SpectraSync™ Color Tuning Technology.



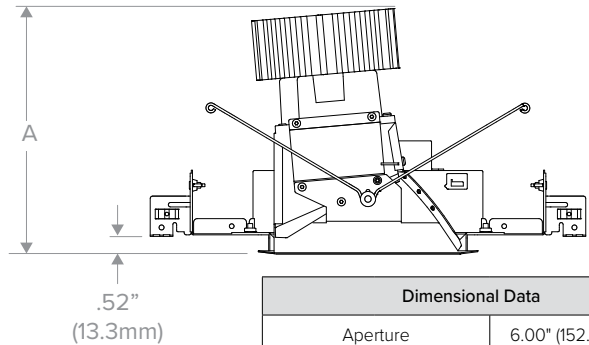
NX INTEGRATED CONTROLS REFERENCE								
NX Option	Sensor	Networkable	Scheduling	Occupancy	Daylight Harvesting	0-10V Dimming	On/off Control	Bluetooth® App Programming
<b>NX Networked – Wired</b>								
NXE	N/A	Yes	Yes	No	No	Yes	Yes	Requires <a href="#">NXBTC/R</a> <sup>1</sup>
<b>NX Networked – Wireless</b>								
NXWE <sup>2</sup>	N/A	Yes	Yes	No	No	Yes	Yes	No <sup>3</sup>
<b>NX Networked – Wired/Wireless</b>								
NXWD	N/A	Yes	Yes	No	No	Yes	Yes	Requires <a href="#">NXBTC/R</a> <sup>1,3</sup>

- 1 NXBTC/R needs to be plugged into an available NX SmartPort™ on the fixture network
- 2 Programming via App requires factory assistance
- 3 To program NXWE option, need to consult factory. If connected to an area controller, programming can be done from that

## DIMENSIONS

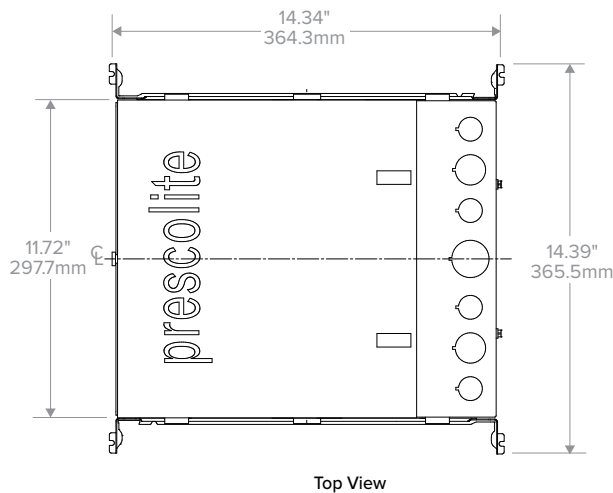


LTR-6SQW Lens-H New Construction

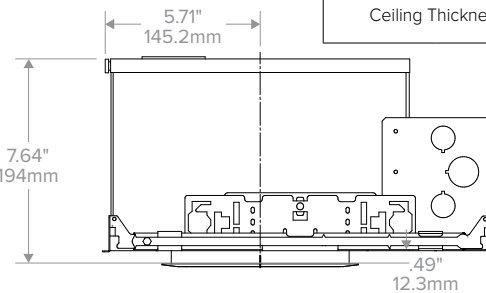


Lumen Package	"A"
06L-15L	6.82" (173.2mm)
20L-30L	8.00" (203.2mm)
35L-45L	9.18" (233.2mm)

Dimensional Data		
Aperture		6.00" (152.4mm) SQ
Flange	Standard	7.25" (184.2mm) SQ
	Flush Mount	6.47" (164.3mm) SQ
Ceiling Cutout	Standard	6.69" (169.9mm) SQ
	Flush Mount	6.88" (174.8mm) SQ
Ceiling Thickness		0.50" to 1.25" (12.7mm to 31.8mm)



LTR-6SQW Lens-H IC/CP



Dimensional Data		
Aperture		6.00" (152.4mm) SQ
Flange	Standard	7.25" (184.2mm) SQ
	Flush Mount	6.47" (164.3mm) SQ
Ceiling Cutout	Standard	6.69" (169.9mm) SQ
	Flush Mount	6.88" (174.8mm) SQ
Ceiling Thickness		0.50" to 1.25" (12.7mm to 31.8mm)

# LTR-6SQW Lens

LITEISTRY 6" SQUARE LENSED WALL WASH (LWW)

## PHOTOMETRY

### LTR-6SQW-H-ML20L-DM1 - LTR-6SQW-T-ML35K8LWWS

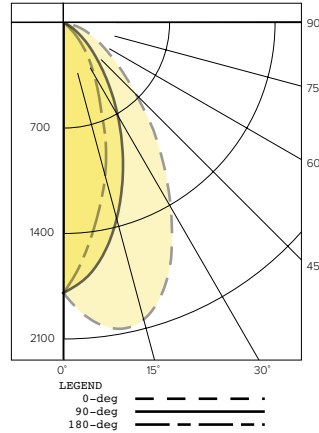
#### LUMINAIRE DATA

Test No.	19.01241
Description	6" Lensed Wall-Wash; 2000lm 3500K, 80 CRI
Delivered Lumens	2035
Watts	22.5
Efficacy	90.3 lm/W
Mounting	Recessed

#### ZONAL LUMEN SUMMARY

Zone	Lumens	% Luminaire
0-40	1508	74.1
0-60	1939	95.3
0-90	2035	100.0
0-180	2035	100.0

#### POLAR GRAPH



#### CANDELA DISTRIBUTION

Degree	Candela
0	1814
5	1993
15	2066
25	1715
35	1178
45	698
55	389
65	215
75	86
85	1
90	0

#### LUMINANCE DATA\*

Vertical Angle	Average
45°	17110
55°	8633
65°	3260
75°	665
85°	0

\*Candela/Square Meter

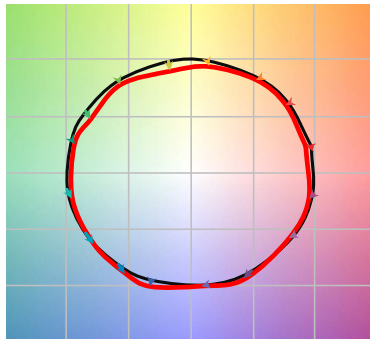
#### LUMEN MULTIPLIER

Option	27K8	30K8	35K8	40K8	50K8	27K9	30K9	35K9	40K9
Multiplier	0.94	0.98	1.00	1.01	1.02	0.81	0.84	0.85	0.85

Photometrics are published below at a nominal 3500 Kelvin, 80+ CRI. This table may be used to approximate the lumen values at different Kelvin temperatures. Power consumption would stay the same.

## TM-30 DATA

#### COLOR VECTOR GRAPHIC 3500K, 90 CRI



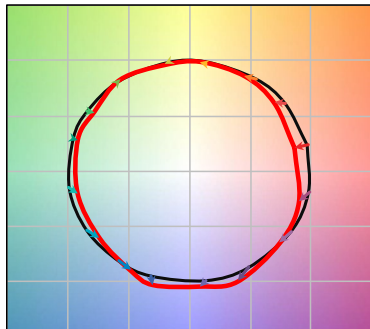
— Reference Illuminant — Test Source

#### COLOR DISTORTION GRAPHIC 3500K, 90 CRI



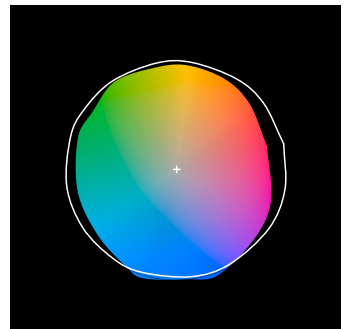
TEST RESULTS - 3500K		
Value	80+ CRI	90+ CRI
R <sub>i</sub>	84	88
R <sub>g</sub>	95	95
CCT (K)	3411	3419
D <sub>uv</sub>	0.0015	0.0042
x	0.4120	0.4147
y	0.3974	0.4052
CIE R <sub>a</sub>	84	93
CIE R <sub>g</sub>	11	62

#### COLOR VECTOR GRAPHIC 3500K, 80 CRI



— Reference Illuminant — Test Source

#### COLOR DISTORTION GRAPHIC 3500K, 80 CRI





# LTR-6SQW Lens

LITEISTRY 6" SQUARE LENSED WALL WASH (LWW)

DATE: \_\_\_\_\_ LOCATION: \_\_\_\_\_

TYPE: \_\_\_\_\_ PROJECT: \_\_\_\_\_

CATALOG #: \_\_\_\_\_

## ELECTRICAL DATA

DRIVER DATA		
Input Voltage	120-277V	347V
Input Frequency	50/60 Hz	50/60 Hz
Power Factor	≥0.90	≥0.90
THD	<20%	<20%
EMI Filtering (FCC 47 CFR Part 15)	Class A	Class A

\* Values for DM1 option shown, values for other dimming options may vary.

WATTAGE DATA		
Lumen Output	Nominal Lumens	WATTAGE
06L	600	8
10L	1000	12
15L	1500	19
20L	2000	23
25L	2500	28
30L	3000	35
35L	3500	43
40L	4000	52
45L	4500	55

## ADDITIONAL INFORMATION

DIMMING COMPATIBILITY CHART		
Dimming Driver	Manufacturer	Web Link
DM1/ DM01	Lutron DDTV	<a href="http://bit.ly/11jSvZg">http://bit.ly/11jSvZg</a>
DM1	Leviton AWRMG-7xx, AWSMG-7xx, AWSMT-7xx	<a href="http://bit.ly/1BJn2R9">http://bit.ly/1BJn2R9</a>
EDM	Lutron	<a href="http://bit.ly/1vtjHAI">http://bit.ly/1vtjHAI</a>
2DM	Lutron	<a href="http://bit.ly/1S4WjXK">http://bit.ly/1S4WjXK</a>

### DMX

See instruction sheet on [www.prescolite.com](http://www.prescolite.com) for connection & installation information.

### Central Inverters

For full fixture output in back-up mode, we recommend you visit [www.dual-lite.com](http://www.dual-lite.com) for your Central Lighting Inverter options. Please contact your local Hubbell representative for any assistance with proper sizing and loading of your inverter selection. Central lighting inverters must be ordered separately.

LiteGear: [www.dual-lite.com/products/litegear\\_lg\\_series](http://www.dual-lite.com/products/litegear_lg_series)

LPS Series: [www.dual-lite.com/products/lps](http://www.dual-lite.com/products/lps)

All product and company names, logos and product identifiers are trademarks ™ or registered trademarks ® of Hubbell Lighting, Inc. or their respective owners. Use of them does not necessarily imply any affiliation with or endorsement by such respective owners.