

LTR-6SQWPH Lens

LITEISTRY 6" SQUARE LENSED WALL WASH WITH POWERHUBB™

LITEISTRY™

FEATURES

- 6" architectural LED lensed wall wash delivering 600–4000 lm
- Provides smooth uniform vertical illumination
- 2700K–5000K, 80+ and 90+ CRI options
- Available for New Construction (non-IC) and IC applications
- PowerHUBB™ enables low-voltage wired connectivity for Power over Ethernet (PoE) network system deployment



CONTROL TECHNOLOGY



RELATED PRODUCTS

- [Ø 3" LITEISTRY Family](#)
 [Ø 4" LITEISTRY Family](#)
 [Ø 6" LITEISTRY Family](#)

SPECIFICATIONS

CONSTRUCTION

- Standard Non-IC. IC option available.
- New Construction: Painted black durable steel platform with pre-installed bar hangers
- Pre-wired junction box with snap-on covers for easy access
- Snap-in connection from driver compartment allows easy installation
- Light Engine connections use plenum rated (CMP) cable

OPTICS

- Provides excellent uniformity down the wall
- Reflector assembly with a satin diffuse acrylic lens
- The light distribution is free of distracting bright spots or pixelation and the perimeter has a smooth transition
- High purity four panel aluminum reflector, self-flanged
- Flush mount flange option with mud-in ring available
- Large selection of anodized finishes and colors
- Painted cones and flange options available

ELECTRICAL

- Chip-on-board (COB) LED with 2 SDCM
- Multiple CCTs, 80+ or 90+ CRI
- Long LED life: L90 at >55,000 hours (TM-21)
- PowerHUBB™ enables low-voltage wired connectivity for Power over Ethernet (PoE) network system deployment
- EMI Filtering (FCC 47 CFR Part 15) Class A

INSTALLATION

- Accommodates ceiling thicknesses up to 1.25"
- Universal adjustable mounting brackets also accept ½" EMT conduit or 1½" or ¾" lathing channel (by others) or Prescolite accessory bar hangers (B24 or B6)
- Light engine/PowerHUBB node fully serviceable from above or below the ceiling

CERTIFICATIONS

- cCSAus certified to UL 2108
- Suitable for wet locations, covered ceiling. EMR: Suitable for damp locations.
- This product qualifies as a "designated country construction material" per FAR 52.225-11 Buy American-Construction. Materials under Trade Agreements effective 6/6/2020. See [Buy American Solutions](#).

WARRANTY

- 5 year warranty
- See [HLI Standard Warranty](#) for additional information

KEY DATA	
Lumen Range	600–4000
Wattage Range	8–52
Efficacy Range (LPW)	90*
Life (Hours)	L90 / >55,000
Input Current (mA)	N/A

*Based on Specular, 35K, 80 CRI



DATE: _____ LOCATION: _____

TYPE: _____ PROJECT: _____

CATALOG #: _____

LTR-6SQWPH Lens

LITEISTRY 6" SQUARE LENSED WALL WASH WITH POWERHUBB™

ORDERING GUIDE

Example: LTR-6SQDPH-H-SL10L-PMC-LTR-6SQW-T-SL35K8LWW-S

CATALOG #

HOUSING

LTR-6SQDPH-H		Lumen Package		Lumen Output		PowerHUBB Node		Housing Options									
Aperture/Shape/Function																	
LTR-6SQDPH-H	6" Square Downlight / Wall Wash New Construction Housing	SL	Standard Lumen	06L	600	PM	PowerHUBB™, On/Off/1% Dim, Master	IC	IC rated ⁵								
				10L	1000												
				15L	1500												
		ML	Medium Lumen	20L	2000					PMC	PowerHUBB™, On/Off/1% Dim, Control Inputs, Master						
				25L	2500												
				30L	3000												
		HL	High Lumen	35L	3500							PS	PowerHUBB™, On/Off/1% Dim, Satellite				
				40L	4000												
																PSC	PowerHUBB™, On/Off/1% Dim, Control Inputs, Satellite

TRIM

LTR-6SQW-T		Lumen Package		CCT		CRI		Distribution	
Aperture/Shape/Function									
LTR-6SQW-T	6" Square Wall Wash Light Engine/Trim Assembly	SL	Standard Lumen	27K	2700K	8	80+CRI	LWW	Lensed Wall Wash
		ML	Medium Lumen	30K	3000K	9	90+CRI		
		HL	High Lumen	35K	3500K				
				40K	4000K				
				50K	5000K ¹				

TRIM CONTINUED

Reflector Finish		Reflector Color		Flange Color Options		Lower Trim Options		Reflector Options	
<i>Finish not applicable with painted reflectors (WC or BC)</i>		<i>Standard Clear</i>		<i>Standard matches reflector color</i>		FM Flush Mount Mud-in Ring ⁴		AM Antimicrobial Coating ³	
S	Specular	CG	Champagne Gold	WT	White Flange ²				
SS	Semi-Specular	BL	Black	BT	Black Flange ²				
VS	Softglow®	LW	Light Wheat						
VSS	SoftSheen™	PW	Pewter						
		WC	Painted White Cone and Flange						
		BC	Painted Black Cone and Flange						

Accessories

- B24** Set of two (2) 24" bar hangers for T-bar ceilings
- B6** Set of two bar hangers for ceiling joist up to 24" centers
- FMR6-SQ** Flush Mount Flange Mud-In Ring, 6" Square
- MOR6-SQ-WH** Metal Oversized Ring, 6" Square, White (10.25" outer dimension)
- MOR6-SQ-BL** Metal Oversized Ring, 6" Square, Black (10.25" outer dimension)

Notes:

- 1 5000K available in 80+ CRI only.
- 2 WT not needed for WC, BT not needed for BC.
- 3 AM available with WC or Specular Clear (S or SWT). Consult factory for other colors.
- 4 Flush mount flange (FM) requires FMR accessory (sold separately).
- 5 IC available up to 20L

LTR-6SQWPH Lens

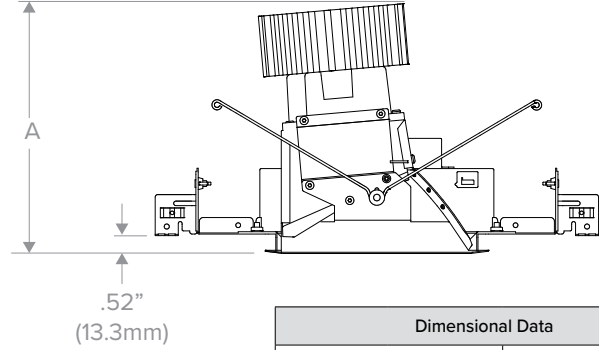
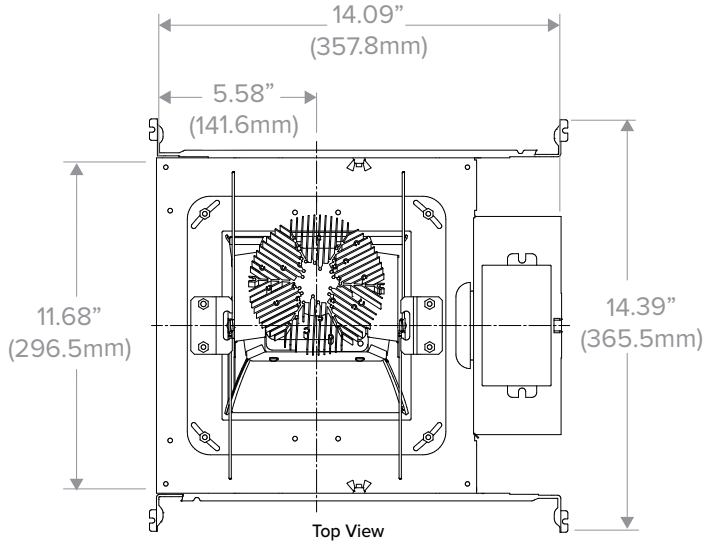
LITEISTRY 6" SQUARE LENSED WALL WASH WITH POWERHUBB™

DATE: _____ LOCATION: _____

TYPE: _____ PROJECT: _____

CATALOG #: _____

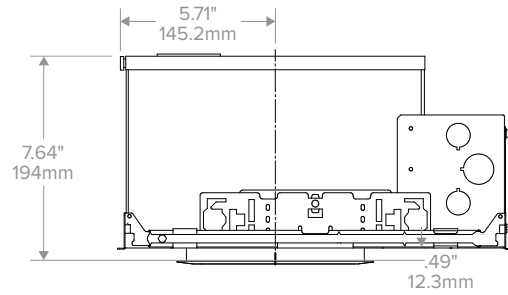
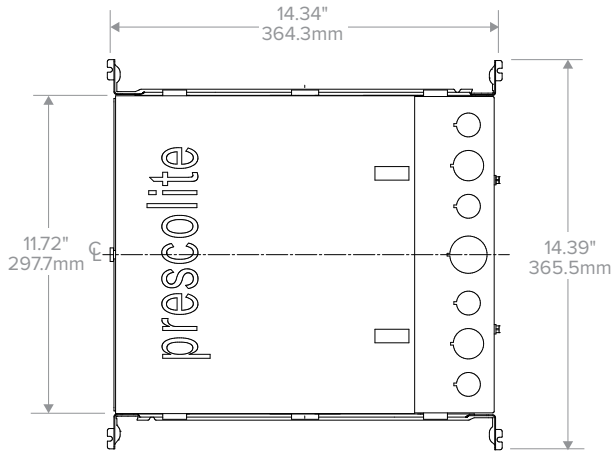
DIMENSIONS



Lumen Package	"A"
06L-15L	6.82" (173.2mm)
20L-30L	8.00" (203.2mm)
35L-40L	9.18" (233.2mm)

Dimensional Data		
Aperture		6.00" (152.4mm) SQ
Flange	Standard	7.25" (184.2mm) SQ
	Flush Mount	6.47" (164.3mm) SQ
Ceiling Cutout	Standard	6.69" (169.9mm) SQ
	Flush Mount	6.75" (171.5mm) SQ
Ceiling Thickness		0.50" to 1.25" (12.7mm to 31.8mm)

LTR-6SQWPH Lens-H New Construction



LTR-6SQWPH Lens-H IC

Dimensional Data		
Aperture		6.00" (152.4mm) SQ
Flange	Standard	7.25" (184.2mm) SQ
	Flush Mount	6.47" (164.3mm) SQ
Ceiling Cutout	Standard	6.69" (169.9mm) SQ
	Flush Mount	6.75" (171.5mm) SQ
Ceiling Thickness		0.50" to 1.25" (12.7mm to 31.8mm)

LTR-6SQWPH Lens

LITEISTRY 6" SQUARE LENSED WALL WASH WITH POWERHUBB™

PHOTOMETRY

LTR-6SQDPH-H-ML20L-PMC - LTR-6SQW-T-ML35K8LWWS

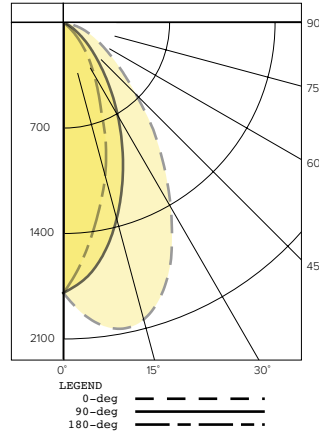
LUMINAIRE DATA

Test No.	R19.01241-01
Description	6" Lensed Wall-Wash; 2000lm 3500K, 80 CRI
Delivered Lumens	2035
Watts	22.5
Efficacy	90.3 lm/W
Mounting	Recessed

ZONAL LUMEN SUMMARY

Zone	Lumens	% Luminaire
0-40	1508	74.1
0-60	1939	95.3
0-90	2035	100.0
0-180	2035	100.0

POLAR GRAPH



CANDELA DISTRIBUTION

Degree	Candela
0	1814
5	1993
15	2066
25	1715
35	1178
45	698
55	389
65	215
75	86
85	1
90	0

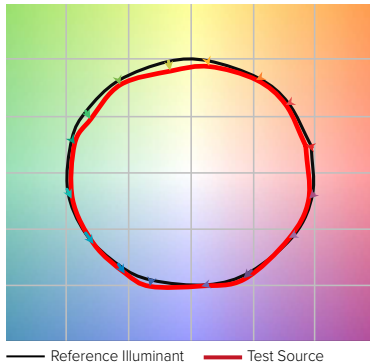
LUMINANCE DATA*

Vertical Angle	Average
45°	17110
55°	8633
65°	3260
75°	665
85°	0

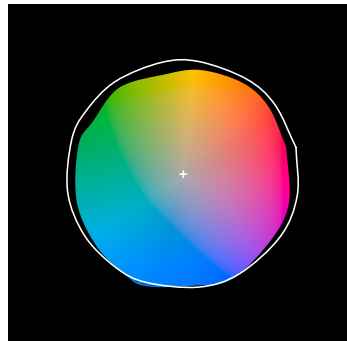
*Candela/Square Meter

TM-30 DATA

COLOR VECTOR GRAPHIC 3500K, 90 CRI

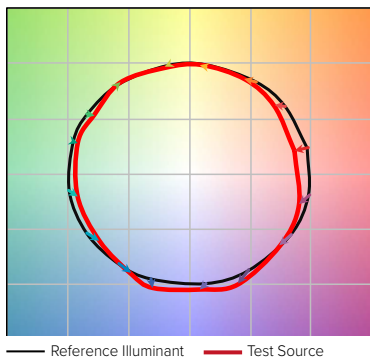


COLOR DISTORTION GRAPHIC 3500K, 90 CRI

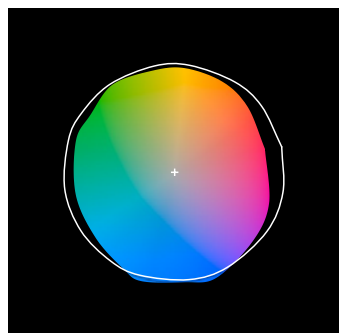


TEST RESULTS - 3500K		
Value	80+ CRI	90+ CRI
R _t	84	88
R _g	95	95
CCT (K)	3411	3419
D _{uv}	0.0015	0.0042
x	0.4120	0.4147
y	0.3974	0.4052
CIE R _a	84	93
CIE R ₉	11	62

COLOR VECTOR GRAPHIC 3500K, 80 CRI



COLOR DISTORTION GRAPHIC 3500K, 80 CRI





DATE: _____ LOCATION: _____

TYPE: _____ PROJECT: _____

CATALOG #: _____

LTR-6SQWPH Lens

LITEISTRY 6" SQUARE LENSED WALL WASH WITH POWERHUBB™

ELECTRICAL DATA

WATTAGE DATA		
Lumen Output	Nominal Lumens	WATTAGE
06L	600	8
10L	1000	12
15L	1500	19
20L	2000	23
25L	2500	28
30L	3000	35
35L	3500	43
40L	4000	52

ADDITIONAL INFORMATION



Hubbell Control Solutions' PowerHUBB™ is an enterprise-level Power over Ethernet (PoE) lighting and control platform that seamlessly integrates luminaires, sensors, user interfaces and software for a scalable intelligent building control solution.

See separate [PowerHUBB™ In-Fixture Solutions Guide](#) and [Hubbell Control Solutions PowerHUBB Brochure](#) for more details.

All product and company names, logos and product identifiers are trademarks ™ or registered trademarks ® of Hubbell Lighting, Inc. or their respective owners. Use of them does not necessarily imply any affiliation with or endorsement by such respective owners.