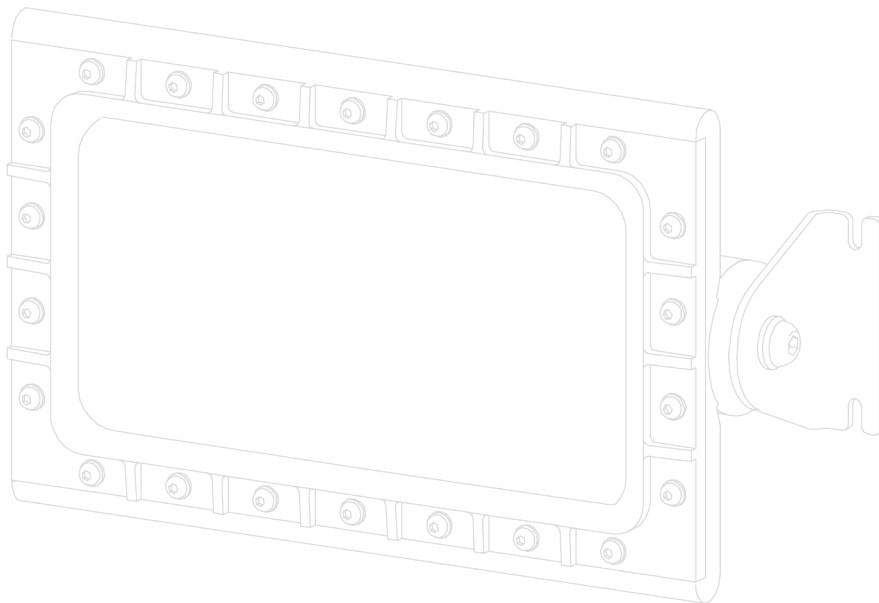


A R C U S

TAB-HL LED LUMINAIRES

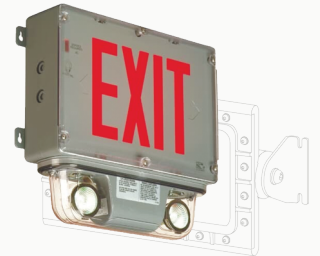


TABLEX™ FOR EX



EXPLOSION PROOF 

TABLEX™ FOR HL



HAZARDOUS LOCATION 

TABLEX™ FOR IL



INDUSTRIAL LOCATION 

SPECIFICATION

DIMENSIONS	14.5 X 12.63 X 3.5 IN 368.3 X 320.80 X 88.9 MM	
LAMP TYPE/WATTAGE	LA = 6 V – 4 W, MR 16 LED LG = 12 V – 4 W, MR 16 LED LI = 12 V – 5 W, MR 16 LED LJ = 12 V – 6 W, MR 16 LED	
LEGEND COLOR	RED	GREEN
CONSTRUCTIONS	FULLY GASKETED HOUSING FRAME FACEPLATE: HEAVY-DUTY, VANDAL-RESISTANT POLYCARBONATE BACKPLATE: HEAVY-DUTY ALUMINUM VANDAL-RESISTANT UV STABILIZED POLYCARBONATE LAMP COVER STAINLESS STEEL TAMPER-PROOF SCREWS 6 INCH EXIT LETTERING LEGEND, AVAILABLE IN RED OR GREEN FIELD-SELECTABLE CHEVRONS	
ELECTRONICS	MAGNETIC TEST SWITCH STANDARD ADVANCED DIAGNOSTICS (NON-AUDIBLE) OPTIONAL NEXUS® MONITORING SYSTEM 120/277 60HZ	
MOUNTING	SURFACE WALL MOUNT ONLY BACKPLATE FEATURES UNIVERSAL KNOCKOUTS FOR A STANDARD 4 INCH JUNCTION BOX, AND FOUR MOUNTING EYELETS USED IN WALL MOUNT APPLICATIONS 1/2 INCH CONDUIT ENTRY ON TOP AND SIDES	
BATTERY TYPE	10 °C TO 45 °C	10 °C TO 35 °C
VOLTAGE/FREQUENCY	SVXH 16 W (8 W)	SVXH12N 29 W (10 W)
WARRANTY	FIVE-YEAR LIMITED WARRANTY	

ETL/cETL CERTIFIED TO:

CSA-US (TO UL 924 STANDARDS) EVALUATED TO THE UL 844 STANDARD FOR CLASS I DIVISION 2, GROUPS A, B, C AND D
 NEC, OSHA AND NEMA COMPLIANT FOR ABOVE CLASSES AND GROUPS
 DAMP AND WET LOCATION (50 °F TO 104 °F)
 TEMPERATURE CODE T4A (MAX.-TEMPERATURE 248 °F/120 °C)
 MEETS NFPA101 (LIFE SAFETY CODE), NFPA 70 – NEC AND OSHA ILLUMINATION STANDARDS

APPROVED FOR:

CLASS I DIVISION 2, GROUPS A, B, C AND D HAZARDOUS LOCATION COMBINATION UNIT

ARCUS TAB-HL LED BENEFITS:

Withstands rugged use with a fully gasketed housing frame; vandal-resistant heavy-duty polycarbonate faceplate; heavy aluminum backplate; field-selectable chevrons and 6" EXIT lettering in red or green; special wording panels available

Choice of MR16 LED lamp voltages and wattages;

Nickel-Cadmium battery, 6V-20W or 12V-24W total battery capacity

Accommodates surface wall mount installation

Reduces maintenance with standard advanced diagnostics and optional NEXUS® monitoring system compatibility

CSA-US approved to UL 924 standards; evaluated to the UL 844 standard for Class I Division 2, Groups A, B, C and D; NEC, OSHA and NEMA compliant for stated Classes and Groups; damp and wet location 50°F to 104°F (10°C to 40°C); meets NFPA101 (Life Safety Code), NFPA 70-NEC and OSHA illumination standards

Five-year limited warranty

APPLICATION

- Waste Water Treatment
- Oil and Gas Refining
- Hazardous Locations
- Hazardous Storage
- Marine, Engine and Battery Rooms
- Manufacturing Facilities



ORDERING INFORMATION: PART NUMBER EXAMPLE TAB-HL-WM-RL-LA-R-16-S

1 TAB	2 HL	3 WM	4 0	5 RV	6 LA	7 R	8 16	9 S
-------	------	------	-----	------	------	-----	------	-----

DETAILED INFORMATION

<p>2 FAMILY NAME ENCLOSURE TYPE</p> <p>HL (Hazardous Location)</p>	<p>3 MOUNTING</p> <p>WM Wall Mount</p>	<p>4 NUMBER OF HEADS</p> <p>0 2</p>	<p>5 VOLTAGE</p> <p>RV 120-270 VAC, 60 Hz</p>
<p>6 LAMP TYPE</p> <p>LA (6V-4W) LG (12V-4W) LI (12V-5W) LJ (12V-6W)</p>	<p>7 LEGEND COLOR</p> <p>R Red G Green</p>	<p>8 WATTAGE</p> <p>16W (Red) 29W (Green)</p>	<p>9 BODY COLOR</p> <p>S Silver (Standard)</p>

PROJECT INFORMATION

PROJECT NAME:

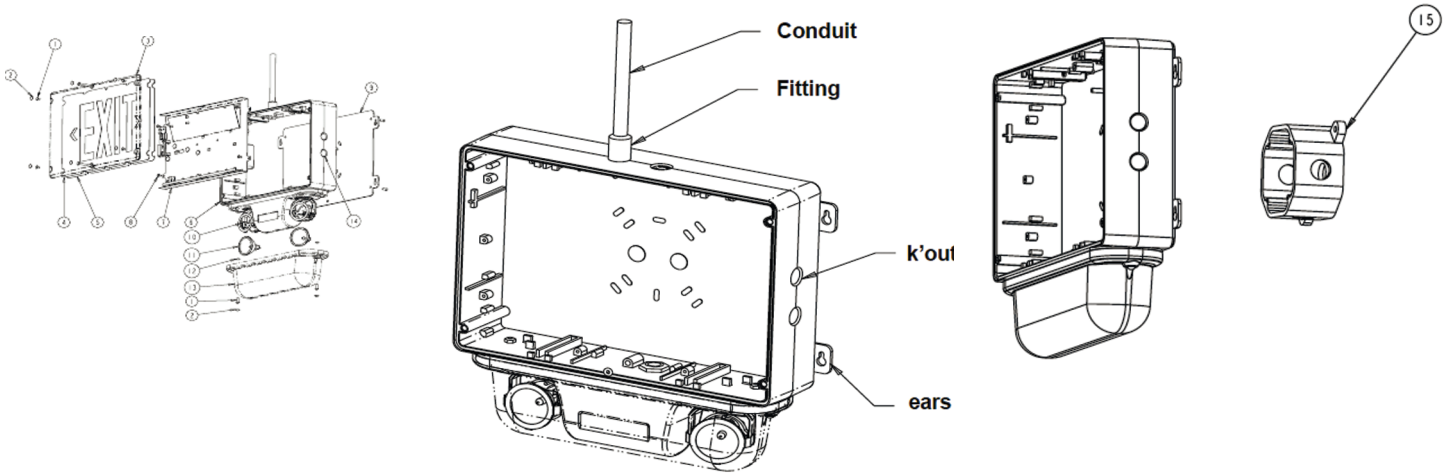
LOCATION:

DESCRIPTION:

CONTACT INFORMATION:

NAME: <input type="text"/>	E-MAIL: <input type="text"/>
PHONE: <input type="text"/>	DATE: <input type="text"/>

TAB-HL



 CONTACTS

(858) 353-1073

SALES@ARCUSLIGHT.COM

10457 ROSELLE STREET, SUITE #E
SAN DIEGO, CA 92121