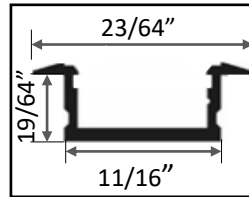


YT01 | Recessed Extrusion



The YT01 is a small recessed extrusion, built using high quality anodized aluminum. This extrusion offers great heat dissipation qualities make it best suited for the low- medium output tape light range. The YT line is known for its size and versatility in applications, which can help facilitate the project specification process.



Product Detail:

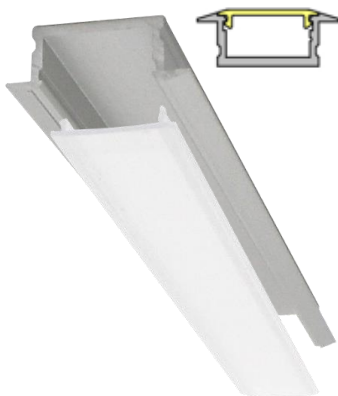
Material: Extruded Aluminum
Color: Anodized Silver
Size in inch: L $78 \frac{3}{4}$ x W $11 \frac{1}{16}$ x H $19 \frac{1}{64}$
Customization: Cut to specified length

Applications:

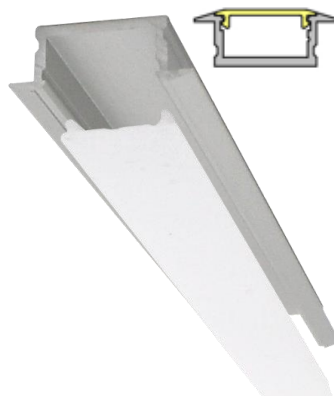
- Recessed with Trim
- Transition Wall/Ceiling
- Hallways
- Millwork
- Narrow Spaces
- Handrail
- Under Cabinet
- Vanity
- Furniture
- Shelf

Compatible Lens

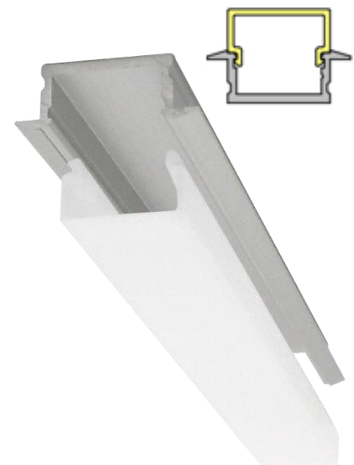
YT99-CL
Clear Lens



YT99-SL
Satin Lens



YT99-DL
Satin Drop Lens



Compatible LED Tapelight

Product	Output (~lm/ft)	LEDs/ft	Consump. (watt/ft)	Efficacy (~lm/watt)	CRI	Voltage	Max Run Length	Cut Increment
---------	-----------------	---------	--------------------	---------------------	-----	---------	----------------	---------------

Vienna (High End)

L90	90	36	0.73	123	>80	24	75'	2"
L180	180	36	1.62	111	>80	24	47'	2"
L270	270	36	2.7	108	>80	24	34'	2"
L400	400	36	3.9	109	>80	24	25'	2"
L610	610	36	6.2	104	>80	24	18'	2"
RGB	Max 110	18	2.2	N/A	N/A	24	20'	4"
Tunable White	460	72	4.12	111	>80	24	30'	2"

Florence (Mid-Range)

L200	200	36	1.6	125	>90	24	55'	2"
L360	360	36	2.9	124	>90	24	42'	2"
L500	500	36	4.3	116	>90	24	32'	2"
RGB	200	36	7.3	29	N/A	24	16'	2"
RGBW	330	29	7.3	47	N/A	24	16'	2.5"
Tunable White	590	73	5.9	100	>90	24	16'	2"

Athens (Economy)

L240	240	36	2.1	117	>90	24	26'	2"
L460	460	36	4.1	114	>90	24	16'	2"

Paris (MegaCRI 95+)

L500	564	36	6.1	92	>95	24	16'	2"
------	-----	----	-----	----	-----	----	-----	----

Ordering Code Template: YT01 + Tapelight + Accessories

Extrusion	Lens	TL Line	Lumen Output	IP	CCT	End Cap	Mounting
-----------	------	---------	--------------	----	-----	---------	----------

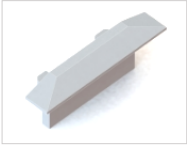
Ordering Code: YT01 + Tapelight + Accessories

YT01	- DL	- F	- L200	IP00	CT35	- EC	- MCM
------	------	-----	--------	------	------	------	-------

Extrusion	Lens	Tapelight			End Cap	Mounting	
YT01	CL - Clear Lens SL - Satined Lens DL - Drop Lens	V - Vienna	L90 - 90 lm/ft L180 - 180 lm/ft L270 - 270 lm/ft L400 - 400 lm/ft L610 - 610 lm/ft RGB - RGB TW - Tunable White	IP00	CT27 - 2700K CT30 - 3000K CT35 - 3500K CT40 - 4000K	EC - End Cap ECD - End Cap for Drop Lens	MCM - Mounting Clip
				IP66	CT27 - 2700K CT30 - 3000K CT40 - 4000K		
		F - Florence	L200 - 200 lm/ft L360 - 360 lm/ft L500 - 500 lm/ft	IP00 IP66	CT27 - 2700K CT30 - 3000K CT35 - 3500K CT40 - 4000K		
			RGB - RGB RGBW - RGBW TW - Tunable White	IP00 IP65	N/A		
		A - Athens	L240 - 240 lm/ft L460 - 460 lm/ft	IP00 IP66	CT27 - 2700K CT30 - 3000K CT35 - 3500K CT40 - 4000K		
P - Paris	L500 - 564 lm/ft	IP20	CT24 - 2400K CT27 - 2700K CT30 - 3000K CT35 - 3500K CT40 - 4000K				

Accessories

YT01-EC



End Cap

YT01-ECD



End Cap for Drop Lens

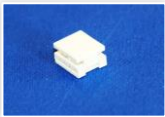
ZZ99-MCM



Mounting Clip

Connectors *(applicable with Florence and Vienna)*

CON-S



Splice connector

CON2-JC



Jumper Cable + 2" cable

CON20-JC



Jumper Cable + 20" cable

CON20-PF



Power Feed for white tapelight + 20" cable

CON20RGB-PF



Power Feed for RGB tapelight + 20" cable

Customization	LN20-CUST	EX20-CUST	M20-CUST	E20-CUST	E20-CUST-C	E20IP66-CUST	E20IP68-1-CUST	E20IP68-2-CUST	E20IP68-3-CUST
Cutting lens to specified length	✓								
Cutting extrusion to specified length		✓							
Miter corner extrusion and diffuser			✓						
Cutting extrusion, diffuser, and tapelight				✓	✓	✓			
Cutting extrusion, diffuser, and tapelight to 1-2 ft							✓		
Cutting extrusion, diffuser, and tapelight to 3-4 ft								✓	
Cutting extrusion, diffuser, and tapelight to 5-6 ft									✓
Installing the tapelight into the extrusion				✓	✓	✓	✓	✓	✓
Adding strain relief and power feed				✓	✓		✓	✓	✓
Adding strain relief and power feed w/ heat sink tube						✓			
Mounting end caps				✓	✓	✓			
Mounting and sealing end caps							✓	✓	✓
Customize to specified color					✓				
Solder 4 ft lead wire				✓	✓	✓	✓	✓	✓
Filling extrusion w/ clear material => 2 ft submersible							✓	✓	✓
Final function and quality inspection	✓	✓	✓	✓	✓	✓	✓	✓	✓

Power Supply Ordering Code

TR + 50 + IP00 = Non-Dimming, 50 watt, IP00, 88-264V output, 24V

1 - Model	2 - Power	3 - IP	Input	Output	Dimension (Inch) LxWxH
TR = Non-Dimming	50 = 50 watt 75 = 75 watt 100 = 100 watt 150 = 150 watt	IP00 = Indoor	88-264V	24V	3.90 X 3.82 X 1.42 5.08 X 3.82 X 1.50 6.26 X 3.82 X 1.50 7.84 X 3.85 X 1.50
	12 = 12 watt 16 = 16 watt 25 = 25 watt 35 = 35 watt	IP42 = Indoor	90-264V		3.03 X 1.57 X 1.14 3.03 X 1.57 X 1.14 3.31 X 2.24 X 1.16 3.31 X 2.24 X 1.16
	20 = 20 watt 35 = 35 watt 60 = 60 watt 100 = 100 watt	IP67 = Outdoor	90-264V		4.65 X 1.38 X 1.02 5.83 X 1.57 X 1.18 6.40 X 1.67 X 1.26 7.48 X 2.05 X 1.46
DTR = Dimming (0-10V)	16 = 16 watt 25 = 25 watt 40 = 40 watt 60 = 60 watt 90 = 90 watt 100 = 100 watt 120 = 120 watt 150 = 150 watt 185 = 185 watt 240 = 240 watt 320 = 320 watt 600 = 600 watt	IP67 = Outdoor	90-305V	24V	5.83 X 1.57 X 1.26 5.83 X 1.57 X 1.26 6.40 X 1.70 X 1.26 6.40 X 1.70 X 1.26 6.34 X 2.40 X 1.42 8.66 X 2.68 X 1.53 8.66 X 2.68 X 1.53 8.97 X 2.68 X 1.58 8.97 X 2.68 X 1.58 9.88 X 2.68 X 1.58 9.92 X 3.54 X 1.72 11.02 X 5.67 X 1.91
DTR – FP = Dimming (Forward Phase)	20 = 20 watt 40 = 40 watt 60 = 60 watt 75 = 75 watt 96 = 96 watt	IP67 = Outdoor	120V	24V	4.92 X 1.97 X 0.77 4.92 X 1.97 X 0.77 4.92 X 1.97 X 0.77 4.92 X 1.97 X 0.77 4.92 X 1.97 X 0.77