

SS8G4WR / IC837

8" SS LED Wall Wash Gen 4

JOB NAME		CATALOG NUMBER	
NOTES		TYPE	

ELECTRICAL DATA

LED Light Engine	System Wattage *		CCT	Nominal Delivered Lumens **
	120-277V	347V		
L1	9W	9.7W	3500K	700lm
L2	13W	14.5W	3500K	1050lm
L3	17W	19.5W	3500K	1400lm
L4	21W	24W	3500K	1750lm
L5	26W	29W	3500K	2100lm
L6	37W	37W	3500K	2800lm
L7	47W	N/A	3500K	3400lm

* System Wattage includes driver and LED Module consumption. | ** Delivered lumen output will vary depending on CCT selection.

LED MODULE

- Powered by OSRAM high performance LED engine
- 50,000 hours at 70% lumen maintenance
- 80 CRI at 2700K, 3000K, 3500K, 4000K

ELECTRICAL SYSTEM

- Universal voltage 120-277V when specified with Osram 0-10V 1% or Intellect options only
- eldoLED, Lutron and DMX Dimming must specify voltage
- Phase dimming available in 120V only
- 347V available with Osram 0-10V 1% Dimming only
- vPower factor >.9, 50/60Hz

EMERGENCY BACKUP

External battery operates LED load of up to 7W at a minimum of 750 lumens for 20 minutes (EM7), or 20W at a minimum of 2150 lumens for 90 minutes (EM20).

OPTICAL SYSTEM

- Soft diffuse spread lens provides uniform light levels and distribution at up to 4 feet on center
- Reflector available in clear specular, haze or white
- Architectural, discrete polished self flange standard, Optional painted white flange is available

DIMMING

- 0-10V Dimming 1%
- Forward/reverse phase dimming 1% (120V only)
- EldoLED 0-10V 0.1% or 1%
- Lutron® LDE1 Hi-Lume 1% EcoSystem LED driver with Soft-on, Fade-to-Black dimming technology
- Lutron® LTA2W Hi-Lume 1% 2-Wire LED driver (120V forward phase only)
- Lutron® LDE5 5-Series EcoSystem LED driver
- DMX512 RDM 0.1%

Intellect™

- Listed on the DesignLights Consortium (DLC) Qualified Product List (QPL) for Networked Lighting Control systems
- Integrated control system provides occupancy and light level detection, and controls the load directly by the power control module Integrated intelligent fixture controls
- Only hot and neutral power required at all devices, no need for control wires
- 12" ceiling height maximum
- 24" cable provided for connection between sensor and power control module
- Keypad Room Controller must be specified separately
- Visit Leviton [Intellect™](#) for more info

FRAME CONSTRUCTION

Heavy duty galvanized steel frame with a large access junction box. ETL listed for through wiring. LED light engine and driver are accessible from above or below ceiling.

INSTALLATION

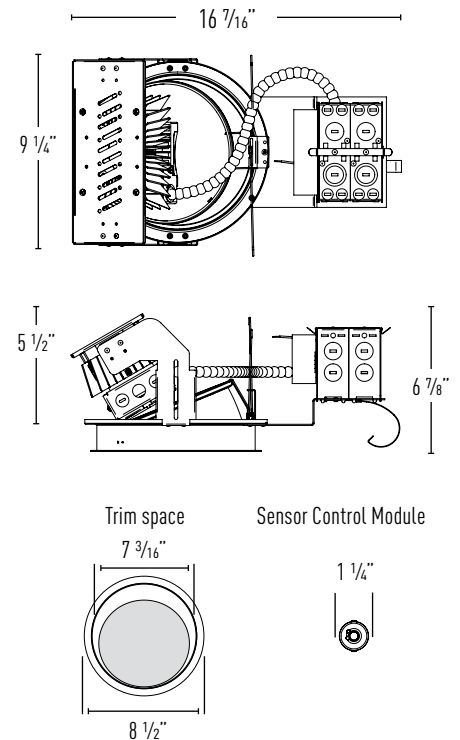
The luminaire is type Non-IC. Insulation must be kept at a minimum of 3" away from fixture. Universal mounting brackets included. Compatible with C-channel, flat bar, wood joist bar hanger and EMT. Bar hangers must be ordered separately. C-channel is recommended for T-bar ceilings. Maximum ceiling thickness is 1 1/4".

END-OF-LIFE INDICATOR

Optional end-of-life indicator helps the end user to receive a signal from the fixture indicating that it has reached its programmed life-time. After the LED driver reaches the programmed life-time, whenever it is turned ON, it stays at 'Dim' level (10%) for 10 minutes and then reaches its appropriate level.

LISTING/WARRANTY

- ETL listed to US and Canadian standards for damp locations.
- 5-Year Intense LED Limited Warranty



Ceiling cut out: 8"
Maximum ceiling thickness: 1 1/4"

24" cable provided for connection between sensor and power control module

Housing Part Number (Example: SS8G4WRL4358)

Housing	LED Module	CCT / CRI	Dimming	Voltage	Options	
SS8G4WR	L1 (9 Watts)	278 (2700K / 80 CRI)	blank (Osram 0-10V 1%)	blank (Universal 120/277V)	EM7 (7W Emergency Backup w/ Remote Test Switch IOTA part #ILB-CP07-A)	
	L2 (13 Watts)	308 (3000K / 80 CRI)	-IE ¹ (Intellect Wireless 1%)	34 ⁴ (347V)	EM20 ⁶ (20W Emergency Backup w/ Remote Test Switch IOTA ILB-CP20-HE-S)	
	L3 (17 Watts)	358 (3500K / 80 CRI)	▼ Not available with universal voltage, must specify blank (120V) or 27 (277V) ▼			EOL (End-of-Life Indicator at 50,000 hours)
	L4 (21 Watts)	408 (4000K / 80 CRI)	-DIM ^{2,3} (Phase Dimming)	blank (120V)	1100 (C-Channel Bar Hangers)	
	L5 (26 Watts)		-ED10V1 (eldoLED 0-10V 1%)	27 (277V)	1200 (Flat Bar Hangers)	
	L6 (37 Watts)		-ED10V01 (eldoLED 0-10V 0.1%)		1400 (Wood Joist Bar Hangers)	
	L7 (47 Watts)		-LUT ⁴ (Lutron® LDE1 EcoSystem 1%)			
		-LUT5 ⁴ (Lutron® LDE5 EcoSystem 5%)				
		-LUT2 ^{3,4} (Lutron® LTA2W 2-Wire 1%)				
		-DMXR ⁵ (DMX512 RDM 0.1%)				

Reflector Part Number (Example: IC837HZ-SF)

Reflector	Reflector Finish	Trim
IC837	C (Clear)	-SF (Self-Flanged)
	HZ (Haze)	-SFW (Self-Flanged White)
	W (White)	

Notes:

- Intellect not available with eldoLED, Lutron, Dali or DMX Dimming (Integrated intellect control system includes sensor and power pack, Keypad Room Controller must be specified separately)
- Not available in L1, L2 or L7
- Not available in 277V
- Lutron not available in L1 & L7
- DMX512 RDM not available in L1 & L2
- 347V only available with Osram 0-10V 1% Dimming
- 20W emergency not available in L1, L2 & L3

SS-WALL WASH L/M-094-20 P-7

INTENSE LIGHTING | 3340 E La Palma Ave, Anaheim, CA 92806 | tel 714 630-9877 | fax 714 630-9883

For Intense Lighting's limited product warranty, go to [www.intenselighting.com](#). For a printed copy of the warranty, you may call 800 961-5321.

© 2020 Intense Lighting, LLC. All rights reserved. Note: This document is subject to change without notice.



SS8G4WR / IC837

8" SS LED Wall Wash Gen 4

JOB NAME		CATALOG NUMBER	
NOTES		TYPE	

SS8G4WRL6358 /IC437HZ

Test Number: ILL-20180306-2.006

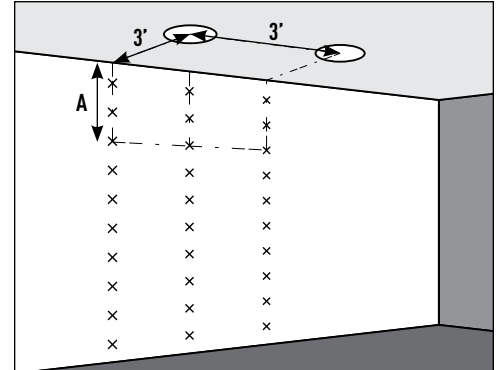
Lumens: 2759.6lm

Watts: 36.6W

Efficacy: 75.3 lm/w

Distance From Ceiling	2' From Wall On 3' Centers			3' From Wall On 3' Centers			3' From Wall On 4' Centers		
	□	3'	□	□	3'	□	□	4'	□
1'	144	94	144	38	30	37	34	17	34
2'	136	130	135	97	98	97	75	72	75
3'	87	87	87	86	87	85	67	66	67
4'	54	56	54	63	64	62	50	50	50
5'	35	36	35	44	45	44	36	37	36
6'	23	24	23	31	32	31	26	27	26
7'	16	17	16	23	23	23	19	20	19
8'	12	12	12	17	17	17	15	15	15
9'	9	9	9	13	13	12	11	11	11
10'	7	7	7	10	10	10	9	9	9
11'	5	5	5	7	8	7	7	7	7
12'	4	4	4	6	6	6	5	6	5
13'	3	3	3	5	5	5	4	5	4
14'	3	3	3	4	4	4	4	4	4

Example: Two luminaires located 3' from wall and spaced 3' on center, the illumination on the wall 3' down from ceiling will be 92fc beneath units and 92fc between units



Lumen Multiplier:

- L1 (x 0.25)
- L2 (x 0.375)
- L3 (x 0.5)
- L4 (x 0.625)
- L5 (x 0.75)
- L6 (x 1.00)
- L7 (x 1.25)

L6 LED Module - CCT Multipliers:

2700K (x 0.91), 3000K (x 0.99), 3500K (x 1.00), 4000K (x 1.02)