

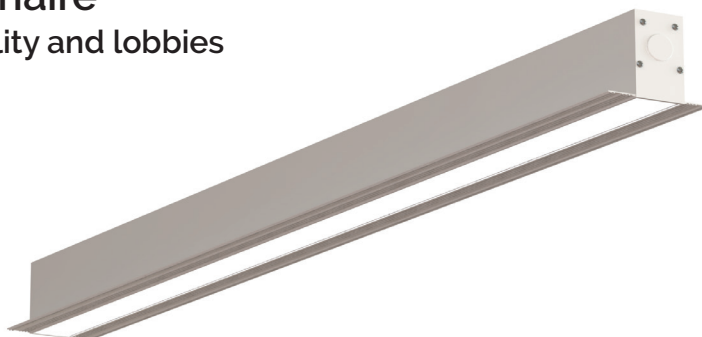
DATE _____ PROJECT _____ TYPE _____ QUANTITY _____

3" Architectural Recessed Slot Luminaire

for use in offices, classrooms, corridors, hospitality and lobbies

FEATURES

- 2', 4', & 8' standard — custom lengths available
- Custom power and mounting options for any application
- CRI 90+ Standard
- Universal voltage powered with 120 -277V AC
- Individually or Row mounted
- Corners available
- Stati white
- 5-year warranty



APPLICATIONS Offices, Classrooms, Corridors, Hospitality, Lobbies **FINISH** White powder coated standard, custom RAL available

CONSTRUCTION Extruded Aluminum Housing, Steel Gear Tray, Acrylic Lens **WARRANTY** 5 Year limited warranty

ORDERING

| PRODUCT | LENGTH | POWER | MOUNTING | FINISH | OPTION | CCT/CRI | DIMMING | OPTIC | DRC |
|---------|--------|-------|----------|--------|--------|---------|---------|-------|-----|
| R-3 | | | | | | | | | |

| PRODUCT | LENGTH | POWER | MOUNTING | FINISH | OPTION |
|---|--|--|---|--|--|
| R-3 2¾" Architectural Recessed Slot Luminaire | 2S 2ft Single (individual fixture) 2R 2ft Row mounted (intermediate) 2E 2ft End of row fixture 4S 4ft Single (individual fixture) 4R 4ft Row mounted (intermediate) 4E 4ft End of row fixture 6S 6ft Single (individual fixture) 6R 6ft Row mounted (intermediate) 6E 6ft End of row fixture 8S 8ft Single (individual fixture) 8R 8ft Row mounted (intermediate) 8E 8ft End of row fixture CE Corner End CR Corner Row | S Standard Output L Low Output H High Output E Extra High Output S Standard Output (RGBW) * Consult factory for RGBW lengths CCT/CRI 927 2700K/90+CRI 930 3000K/90+CRI 935 3500K/90+CRI 940 4000K/90+CRI RGB RGBW (3500K/90 White) | GN Narrow T-bar Grid (9/16" wide) GW Wide T-bar Grid (15/16" wide) GS Slot T-bar Grid (9/16" wide) SF Spackle Flange (sheetrock ceiling) TR Overlapping Trim (sheetrock ceiling) OPTIC S Standard diffusing lens | 22 Matte White housing, end plates 02 Semi-gloss White housing, end plates 99 Custom Finish (RAL or Computer Matched Color) | 00 No Option 0E Emergency Driver (4ft min) 0K Modular Prewired Harness EK Emergency Driver & Prewired Harness DIMMING 00 Non-Dimming ZX 0-10V Analog dims to 1% EL 0-10V controls by others. EldoLED SOLOdrive dims 1% ED 0-10V controls by others eldoLED SOLOdrive DALI dims 100%-0.1% controls by others DM eldoLED LINEARdrive DMX for RGBW DRC 0 ETL listed for U.S. J ETL listed for Canada |

RATINGS & CERTIFICATION

- cETLus Listed
- Made in the USA
- Average rated LED life of 50,000 hours @ 70% lumen output



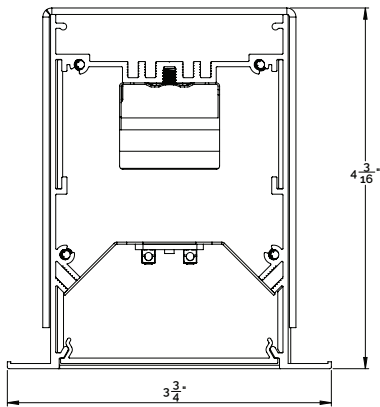
LUMEN OUTPUT

| STANDARD | 645 Lm/ft | 75 W/ft | 86 Lm/w |
|-------------------|------------|---------|---------|
| LOW | 445 Lm/ft | 5 W/ft | 89 Lm/w |
| HIGH | 743 Lm/ft | 9 W/ft | 83 Lm/w |
| EXTRA HIGH | 1000 Lm/ft | 12 W/ft | 83 Lm/w |

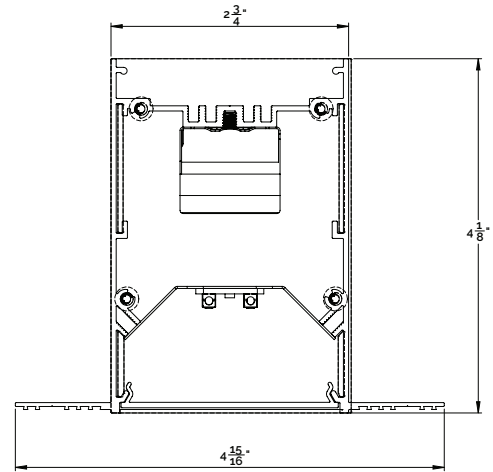
Consult factory for custom outputs

MOUNTING OPTIONS

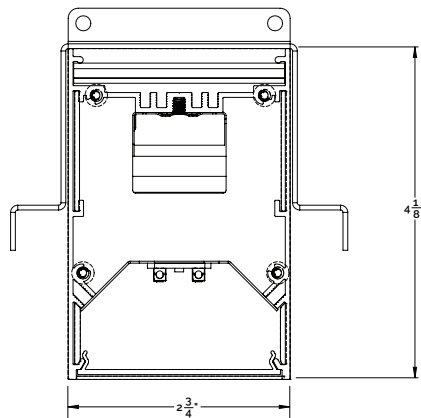
3" RECESSED TRIM SLOT FIXTURE



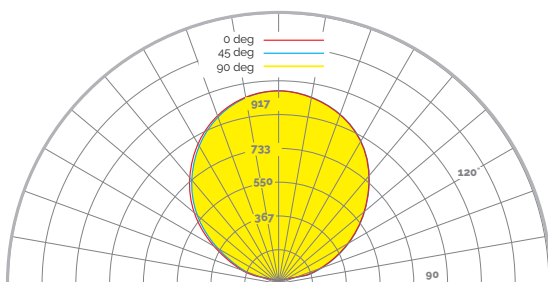
3" RECESSED NON-TRIM SLOT



3" T-GRID SLOT FIXTURE



PHOTOMETRY



High Power Symmetric

CANDELA

| | Center Beam fc | Beam Width | |
|--------|----------------|------------|-------|
| 1.7 ft | 357.0 | 4.9' | 4.7' |
| 3.3 ft | 94.7 | 9.4' | 9.1' |
| 5 ft | 41.3 | 14.3' | 13.8' |
| 6.7 ft | 23.0 | 19.1' | 18.5' |
| 8.3 ft | 15.0 | 23.7' | 22.9' |
| 10 ft | 10.3 | 28.6' | 27.6' |

Vertical Spread Horizontal Spread