

Spotlights

# LiNi XL Spot 1R

## Fixture Guide

# KKDC

Indoor | Recessed | Low output up to 140lm/module

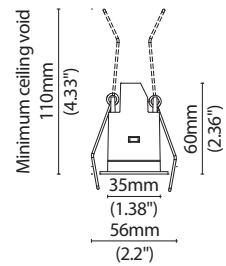


### Key applications

- ✓ Ceiling
- ✓ Interior
- ✓ Downlighting
- ✓ Retail display
- ✓ Flood lighting

### Key features

- ✓ High lumen efficacy
- ✓ Lensed
- ✓ IP20
- ✓ Output low





# LiNi XL Spot 1R

## Specification sheet



|                       |   |
|-----------------------|---|
| <b>Dimension</b>      | H60/W45/D45mm (H2.36/W1.77/D1.77 in)  |
| <b>Chip</b>           | <b>hcc-line</b> CREE  |
| <b>Beam angle</b>     | 24°/40°   |
| <b>Colours</b>        | 2700K/3000K/4000K   |
| <b>Bin/Step</b>       | 3-step MacAdam ellipse  |
| <b>CRI</b>            | 90  |
| <b>Lifetime</b>       | 50,000 hours @ 25°C (50,000 hours @ 77°F)   |
| <b>Operating temp</b> | T <sub>a</sub> = -20°C to 40°C (T <sub>c</sub> max = 80°C)<br>T <sub>a</sub> = -4 to 104°F (T <sub>c</sub> max = 176°F) |
| <b>IP rating</b>      | IP20  |
| <b>Finish</b>         | Matt white/Black paint  |
| <b>Cover/lens</b>     | 24° or 40° lens with black reflector  |
| <b>Mounting</b>       | Recessed mounting   |
| <b>Power feed</b>     | Single IP20 Connector   |
| <b>Control</b>        | Constant current  |



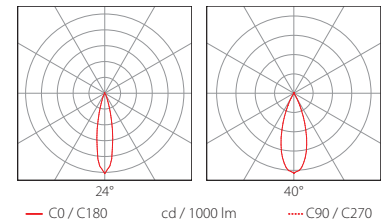
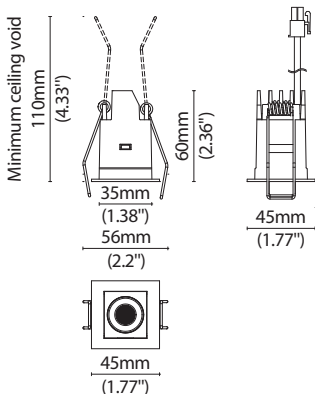
### PERFORMANCE DATA

| Power Consumption | Supply voltage | Supply current |
|-------------------|----------------|----------------|
| 2W                | 3.5V           | 700mA          |

### Colour Rendering Index (CRI)

|              | R1 | R2 | R3 | R4 | R5 | R6 | R7 | R8 | R9 | R10 | R11 | R12 | R13 | R14 |
|--------------|----|----|----|----|----|----|----|----|----|-----|-----|-----|-----|-----|
| <b>2700K</b> | 90 | 93 | 94 | 93 | 89 | 91 | 94 | 80 | 52 | 82  | 93  | 78  | 91  | 96  |
| <b>3000K</b> | 94 | 96 | 97 | 94 | 93 | 95 | 94 | 84 | 63 | 90  | 94  | 79  | 94  | 98  |
| <b>4000K</b> | 91 | 94 | 96 | 92 | 90 | 92 | 93 | 81 | 50 | 85  | 92  | 76  | 91  | 98  |

|                 | 24° Lens               | 40° Lens               | CRI | R9 | Rf | Rg |
|-----------------|------------------------|------------------------|-----|----|----|----|
| <b>hcc-line</b> | 140lm/module<br>70lm/W | 140lm/module<br>70lm/W | 93  | 63 |    |    |





# LiNi XL Spot 1R

## Code Table



### FIXTURE

| Model        | Finish | Cover               | Option      | Colour (CCT)   | IP       | Cable Length | Power Feed        | Lens                  | Control Type | Input           |            |
|--------------|--------|---------------------|-------------|----------------|----------|--------------|-------------------|-----------------------|--------------|-----------------|------------|
| LiNi XL Spot | LP     | Matt White paint MW | Reflector V | 1 Recessed 1R1 | 2700K 27 | IP20 20      | 700mm/27.56" 0700 | Single no sheath S20X | 24° 24       | No Controller 5 | CC 700mA i |
|              |        | Matt Black paint MB |             |                |          |              | IP20 connector    | 40° 40                |              |                 |            |
|              |        |                     |             | 3000K 30       |          |              |                   |                       |              |                 |            |
|              |        |                     |             | 4000K 40       |          |              |                   |                       |              |                 |            |

### Code Example:

|              |   |                  |   |           |   |            |   |       |   |      |   |              |   |                                 |   |     |   |               |   |          |
|--------------|---|------------------|---|-----------|---|------------|---|-------|---|------|---|--------------|---|---------------------------------|---|-----|---|---------------|---|----------|
| LP           | - | MW               | - | V         | - | 1R1        | - | 30    | - | 20   | - | 0700         | - | S20X                            | - | 24  | - | 5             | - | i        |
| LiNi XL Spot |   | Matt White paint |   | Reflector |   | 1 Recessed |   | 3000K |   | IP20 |   | 700mm/27.56" |   | Single no sheath IP20 connector |   | 24° |   | No Controller |   | CC 700mA |

### LED ENGINE VARIANTS (LED STRIP TYPE)

| Luminaire                     | Output | Lumen/module | W  | Spec Doc                     | LED Pitch        | Dimension                                  |
|-------------------------------|--------|--------------|----|------------------------------|------------------|--|
| LiNi XL Spot 1 Recessed       | Low    | 140          | 2  | LiNi XL Spot 1R              | N/A              | H60/W45/D45mm (H2.36/W1.77/D1.77in)        |
| LiNi XL Spot 2 Recessed       | Low    | 300          | 4  | LiNi XL Spot 2R              | 27.5mm (1.08in)  | H60/W45/D70mm (H2.36/W1.77/D2.76in)        |
| LiNi XL Spot 3 Recessed       | Low    | 450          | 7  | LiNi XL Spot 3R              | 27.5mm (1.08in)  | H60/W45/D98mm (H2.36/W1.77/D3.86in)        |
| LiNi XL Spot 5 Recessed       | Mid    | 750          | 11 | LiNi XL Spot 5R              | 27.5mm (1.08in)  | H60/W45/D152.5mm (H2.36/W1.77/D6.00in)     |
| LiNi XL Spot 5 Adjustable     | Mid    | 750          | 11 | LiNi XL Spot 5R (Adjustable) | 27.5mm (1.08in)  | H60/W70/D171mm (H2.36/W2.76/D6.73in)       |
| LiNi XL Wallwasher 5 Recessed | Low    | 500          | 11 | LiNi XL Wallwasher 5R        | 12.95mm (0.51in) | H59.7/W44.4/D152.5mm (H2.35/W1.75/D6.00in) |

\* Performance data: hcc-line, 24° lens, 3000K



# LiNi XL Spot Driver/PSU Options



## AVAILABLE PSU OPTIONS

| Control Mode  | PSU (Order Code)  | Input Voltage AC | Output Voltage DC | Rated Output Current | Rated Power | Dim % | IP Rating |
|---------------|-------------------|------------------|-------------------|----------------------|-------------|-------|-----------|
| Switched      | HLG-60H-C350A     | 90-305V          | 100V-200V         | 0.35A                | 70W         | -     | IP65      |
|               | HLG-60H-C700A     | 90-305V          | 50V-100V          | 0.7A                 | 70W         | -     | IP65      |
|               | HLG-80H-C350A     | 90-305V          | 128V-257V         | 0.35A                | 90W         | -     | IP65      |
|               | HLG-80H-C700A     | 90-305V          | 64V-129V          | 0.7A                 | 90W         | -     | IP65      |
|               | HLG-120H-C350A    | 90-305V          | 215-430V          | 0.35A                | 150W        | -     | IP65      |
|               | HLG-120H-C700A    | 90-305V          | 107V-215V         | 0.7A                 | 150W        | -     | IP65      |
|               | HLG-185H-C700A    | 90-305V          | 143V-286V         | 0.7A                 | 199W        | -     | IP65      |
| 0-10V (1-10V) | HLG-60H-C350B     | 90-305V          | 100V-200V         | 0.35A                | 70W         | -     | IP67      |
|               | HLG-60H-C700B     | 90-305V          | 50V-100V          | 0.7A                 | 70W         | -     | IP67      |
|               | HLG-80H-C350B     | 90-305V          | 128V-257V         | 0.35A                | 90W         | -     | IP67      |
|               | HLG-80H-C700B     | 90-305V          | 64V-129V          | 0.7A                 | 90W         | -     | IP67      |
|               | HLG-120H-C350B    | 90-305V          | 215-430V          | 0.35A                | 150W        | -     | IP67      |
|               | HLG-120H-C700B    | 90-305V          | 107V-215V         | 0.7A                 | 150W        | -     | IP67      |
|               | HLG-185H-C700B    | 90-305V          | 143V-286V         | 0.7A                 | 199W        | -     | IP67      |
| DMX           | POWERdrive 1060/A | 120 - 277V       | 2V-57V            | 0.35A, 0.7A          | 100W        | -     | -         |
|               | POWERdrive 106/M  | 120 - 277V       | 2V-57V            | 0.35A, 0.7A          | 100W        | -     | -         |
|               | POWERdrive 106/S  | 120 - 277V       | 2V-57V            | 0.35A, 0.7A          | 100W        | -     | -         |
|               | POWERdrive 1061/M | 120 - 277V       | 2V-57V            | 0.35A, 0.7A          | 100W        | -     | -         |
|               | POWERdrive 1061/S | 120 - 277V       | 2V-57V            | 0.35A, 0.7A          | 100W        | -     | -         |
| DALI          | ELG-100-C350DA    | 180-295V         | 143-286V          | 0.35A                | 100W        | -     | IP67      |
|               | ELG-100-C700DA    | 180-295V         | 71-143V           | 0.7A                 | 100W        | -     | IP67      |
|               | ELG-150-C700DA    | 180-295V         | 150-300V          | 0.7A                 | 150W        | -     | IP67      |