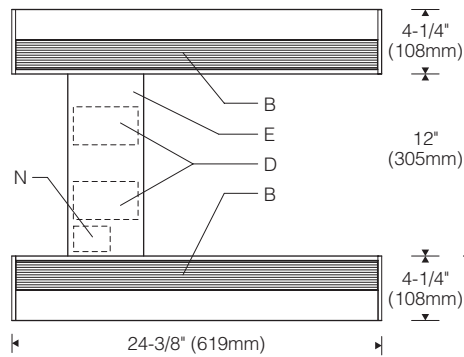
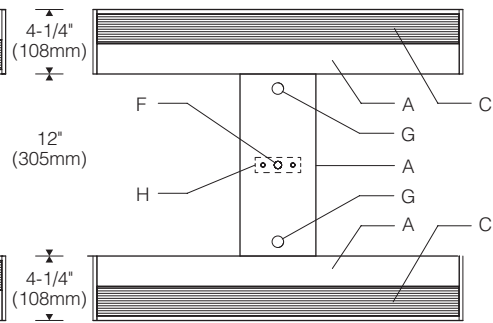


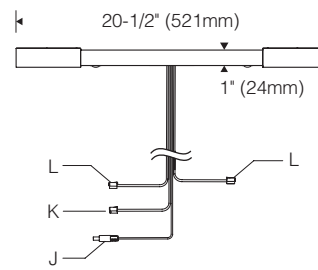
**Top View** (with offset bridge)



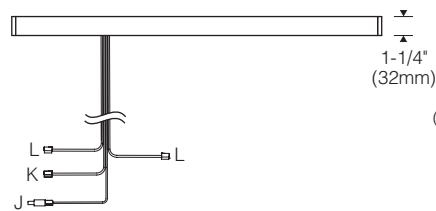
**Bottom View** (with center bridge)



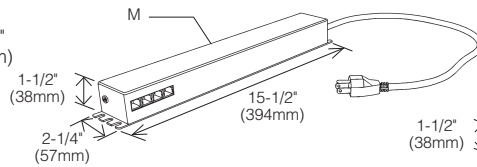
**End View**



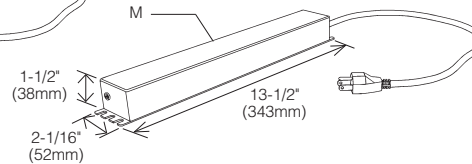
**Front View** (with offset bridge)



**Power Supply**  
(control 01 and W1)



**Power Supply**  
(control E1)



Shown with **TMS-13-246** stanchion and **TMB-13-06** mounting base. Order stanchion and mounting base separately.

**Specifications**

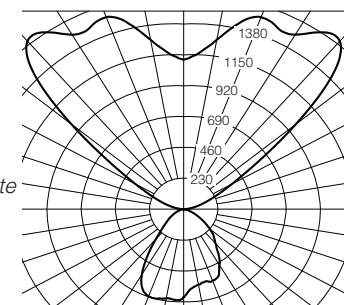
- |   |  |   |  |
|---|--|---|--|
| <b>A</b> Extruded aluminum housing and bridge | <b>D</b> Multi-mode controller         | <b>H</b> Accepts 1" x 3" support stanchion (order stanchion separately) | <b>L</b> 6ft RJ11/RJ45 sensor cable (options <b>FM</b> and <b>MS</b> )             |
| <b>B</b> Snap-in acrylic upright lens         | <b>E</b> Snap-in aluminum access cover | <b>J</b> 6ft low-voltage power cable with barrel connector              | <b>M</b> HPF power supply and enclosure with 4 control ports and 6ft cord and plug |
| <b>C</b> Snap-in acrylic task lens            | <b>F</b> Cable exit                    | <b>K</b> 6ft RJ11 upright control cable (control 01 and W1 only)        | <b>N</b> Internal wireless receiver (control E1 only)                              |
|   | <b>G</b> Pushbutton switch/dimmer      |   |  |

**Features**

- All-in-one task/ambient luminaire with outrigger design for workstations with VDTs
- Removable light engines for service and upgrade
- Independent control of upright and each task light
- Wireless options and accessories for remote upright control via room sensors/transmitters and 3rd-party control systems

**Performance**

Beam shaping technology and precision extruded acrylic lens control glare and achieve superior surface coverage and uniformity.



L90 (10k) > 60,000 hrs per TM-21

Contact factory for complete photometrics and lumen maintenance reports.

**Finish:**

Painted surfaces: 6 stage pretreatment and electrostatically applied baked powder enamel for stable, long-lasting and corrosion resistant finish.

**Optical Assembly:**

Four (4) light engines with extruded aluminum heat sinks and holographic diffusers; removable for service or upgrade. Four (4) precision extruded acrylic glare control lenses deliver symmetric batwing upright and asymmetric forward throw task light distributions for broad coverage and visual comfort.

**Emitters:**

3500K mid-power LEDs. Consult factory for 3000K and 4000K options.

**Mounting:**

Predrilled for mounting to Style TMS-13 support stanchion. Includes 2 screws for stanchion attachment. Required stanchion and stanchion base ordered and priced separately.

**Electrical:**

120VAC/24VDC high power factor power supply in remote mounted aluminum enclosure with 5.5 x 2.1mm female barrel jack and 6ft 18/3 SJT power cord with NEMA 5-15P grounded plug head.

**Control:**

Integral solid state multi-mode controllers. Pushbuttons for individual ON/OFF and dimming control of task lights. Remote switching and dimming control of upright via internal wireless receiver or via RJ11 switch/dim cable and accessory wireless control hub connected to power supply control ports. Order wireless control hub separately. Dimming range 100%-5%. Auto-OFF control of each task light via upright status monitoring and integral timer or optional plug-and-play workstation motion sensors.

**Standard:**

CSA certified for U.S. and Canada.



Sample number: L306-2020-1-PL-1-00-0-35-E1

Project: \_\_\_\_\_

Type: \_\_\_\_\_

L 3 0 6 | 2 0 2 0 | - | - | - 1 | - | - 0 | 3 5 | - | - |

1 2 3 4 5 6 7 8 9

**1 Style**

**L306** Dual-sided task/ambient light with integral bridge for stanchion mounting. Includes 2 screws for stanchion attachment.

**2 Visible Light Output / Power**

**2020** 168 mid-power emitters, 84 emitters down, 84 emitters up  
 Input: 74W maximum total, including power supply.  
 Output: 3010 lm (down), 3568 lm (up).

**3 Configuration**

- 1 Center bridge
- 2 Offset bridge (for stanchion shifted 6" off center)

**4 Finish**

- 02** Semigloss white                      **PL** Semigloss platinum
- 08** Semigloss black                      **XX** Custom color match
- 19** Vista Flat black

**5 Power Supply**

**1** High power factor 120VAC/24VDC plug-in power supply with 6' power cord and NEMA 5-15P grounded plug head. Includes quick-connect barrel jack for 24-volt luminaire power cable. (4) RJ11 ports for control interconnect cables (control 01 and W1 only). Order interconnect cables separately.

**6 Options**

Required mounting support ordered and priced separately.

- 00** No options.
- FA** Luminaire factory assembled to stanchion and base. Order stanchion and base separately.
- MS** Plug-in motion sensors (2)
- FM** Factory assembled (see **FA** above) with (2) plug-in motion sensors
- XX** Custom modification (specify)

**7 Destination Requirement**

**0** UL listed or CSA certified for U.S. and Canada

**8 Color Temperature / CRI**

**35** 3500K, 80+ CRI

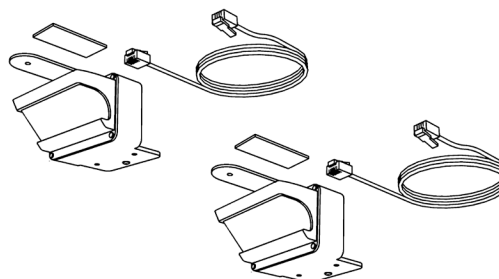
**Note:** Additional CCT and CRI options are available; consult factory.

**9 Control**

**01** Integral solid state multi-mode controllers, factory configured for shared office operation. Pushbuttons for individual ON/OFF and dimming control of task lights. Auto-OFF control of task lights via uplight status monitoring and onboard 11-hour task light timer or optional plug-and-play workstation motion sensors. When sensors are installed, integral standby timers provide 30 second auto-ON period after vacancy time-out. RJ11 control cable for remote switching and dimming of uplight via accessory CCH wireless control hub. Order hub separately. Dimming range 100%-5%. Manual ON override via pushbutton activates task light for one hour when the uplights are in remote OFF mode, 10 second fade to OFF alerts user if additional time is needed. Independent end-of-life timer for each aperture signals recommended light engine replacement after 50,000 hours of use.

**E1** Same as "01" above except with dim-to-OFF control firmware and internal wireless Enocean receiver in lieu of control cable.

**W1** Same as "01" above except with dim-to-OFF control firmware and RJ11 control cable for remote switching and dimming via accessory **CRJ-11-TB2** terminal box for 0-10VDC wired control. Order terminal box separately.



**Workstation Motion Sensors** (included with options **MS** and **FM**)  
 (2) 24V PIR motion sensors. Mount to underside of work surface with adhesive pads or screws (provided). Includes (2) 9ft RJ11/RJ45 sensor cables.

**Required Mounting Stanchion**

**Mounting stanchion TMS-13 is required for Style L306 luminaire** — ordered and priced separately. Go to [www.TheLightingQuotient.com](http://www.TheLightingQuotient.com) or select link below for details. Choose a size that combines with a **TMB-13** mounting base (below) and the mounting condition to position the luminaire at the desired height and provide the desired coverage for lighting and disinfection. Add finish code when ordering. Order mounting base separately. Consult factory for sizes not shown.

- TMS-13** Mounting stanchion, 1" x 3".
- Examples: **TMS-13-238-02** 29-3/4" mounting stanchion. Semigloss white finish.
- TMS-13-238-PL** 29-3/4" mounting stanchion. Semigloss platinum finish.

**Required Mounting Base**

**Mounting base TMB-13 is required for Style L306 luminaire** — ordered and priced separately. A range of bases integrate with select workstation panels and system-specific furniture details. Go to [www.TheLightingQuotient.com](http://www.TheLightingQuotient.com) or select link below for details. Add finish code when ordering. Includes 2 screws for stanchion attachment. Order mounting stanchion separately. Consult factory for custom integrations.

- TMB-13** Mounting base for TMS-13 mounting stanchion
- Examples: **TMB-13-01-02** Mounting base for Steelcase Frameone bench. Semigloss white finish.
- TMB-13-01-PL** Mounting base for Steelcase Frameone bench. Semigloss platinum finish.



**tambient from The Lighting Quotient**  
 114 Boston Post Road, West Haven, Connecticut 06516, USA  
 Voice 203.931.4455 • Fax 203.931.4464 • [thelightingquotient.com](http://thelightingquotient.com)

*Certain products illustrated may be covered by applicable patents and patents pending. These specifications supersede all prior publications and are subject to change without notice. Copyright © 2020 Sylvan R. Shemitz Designs, LLC, all rights reserved.*

**Required Wireless Control Hub**

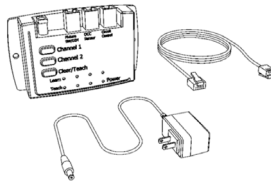
*(Required for Control 01 only)*

**Wireless control hub CCH is required for control option 01** — ordered and priced separately. Go to [www.TheLightingQuotient.com](http://www.TheLightingQuotient.com) or select a link below for details.

Provides ON/OFF and dimming control for up to 12 tambient luminaires. Includes plug-in power supply and 10-ft RJ11 control cable. See CCH data sheet for information regarding compatible wireless sensors and switches.

**CCH-EN-02** Manual-ON dimming enabled

**CCH-EN-04** Auto-ON dimming enabled

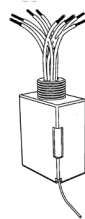


**Required Dimming Signal Transmitter**

*(Required for Control E1 only)*

**Dimming signal transmitter CDT is required for control option E1** — ordered and priced separately. Use with 3<sup>rd</sup>-party 0-10V dim-to-off lighting controls. Go to [www.TheLightingQuotient.com](http://www.TheLightingQuotient.com) or select link below for details.

**CDT-EN-01** Single-zone dim-to-OFF signal transmitter, 120/277V



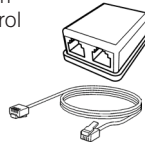
**Surface Mount Terminal Box**

*(Required for Control W1 only)*

**Surface mount terminal box CRJ-11-TB2 is required for control option W1** — ordered and priced separately.

For direct wire connection to 3<sup>rd</sup>-party 0-10V dim-to-off lighting controls. Includes 10-ft RJ11 control cable. Go to [www.TheLightingQuotient.com](http://www.TheLightingQuotient.com) or select link below for details.

**CRJ-11-TB2** Dual-port surface terminal box



**Control Interconnect Cables**

*(Required for Control 01 and W1 only)*

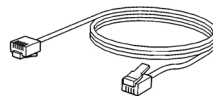
**Control interconnect cables are required for control option 01 and W1** — ordered and priced separately.

Connect between tambient luminaire power supply enclosures for simultaneous remote upright control.

**CRJ-11-010** 10-ft cable

**CRJ-11-015** 15-ft cable

**CRJ-11-025** 25-ft cable



TA  
15.2



**tambient from The Lighting Quotient**  
 114 Boston Post Road, West Haven, Connecticut 06516, USA  
 Voice 203.931.4455 • Fax 203.931.4464 • [thelightingquotient.com](http://thelightingquotient.com)

*Certain products illustrated may be covered by applicable patents and patents pending. These specifications supersede all prior publications and are subject to change without notice. Copyright © 2020 Sylvan R. Shemitz Designs, LLC, all rights reserved.*