

TREVINO M LED

Architectural Outdoor



PROJECT:	
TYPE:	
PO#:	QTY:
COMMENTS:	

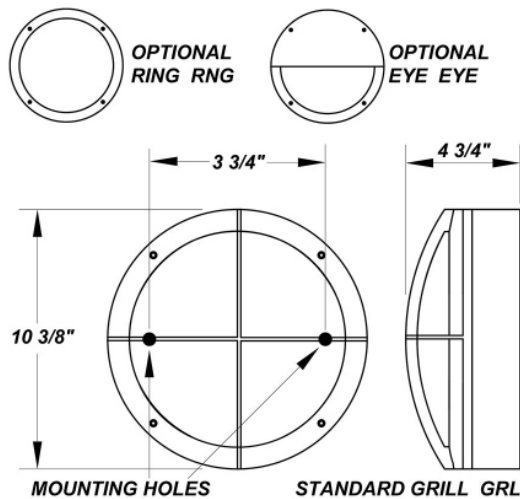
FEATURES

- Aluminum Mount Pan
- Centered over 4" Junction Box (By Others)
- CSA Listed Wet Location For Wall or Ceiling Mount
- Die-Cast Aluminum Housing and Fascia w/ Matte Silver
- Luminous White Polycarbonate Diffuser
- Mounts Directly to Surface
- Polyester Powder Coat Finish



LINE DRAWING

LINE DRAWING NOT TO SCALE



FINISHES

Antique Copper	Antique Silver	Bronze Mist	Matte Silver	Sand	Swedish Steel
Textured Black	Textured Bronze	Textured White			

For RAL Colors & Custom Match - Contact Teron Lighting Inc.

TREVINO M LED

Architectural Outdoor



Fixture Core

PROJECT:	
TYPE:	
PO#:	QTY:
COMMENTS:	

PRODUCT CODE	SOURCE/WATTAGE	VOLTAGE	DIMMING DRIVER
TVM - Trevino M LED	L13.0-ZE560 - (48) LED Array @ 560mA Line Voltage 4-Wire Dimming Driver (Dimmable 0 - 10V)	120-277V (50 / 60Hz)	Not Applicable
ORDER INFO			
TVM	L13.0-ZE560	120-277V	Not Applicable

Example ^ (may not represent a manufacturable product)

Aesthetics & Options

TRIM	FINISH	COLOR TEMP	OPTIONS
EYE GRL RNG	AC - Antique Copper AS - Antique Silver BT - Bronze Mist SM - Matte Silver (Standard) SN - Sand SW - Swedish Steel TB - Textured Black BZ - Textured Bronze TW - Textured White	30K - 3000K Color Temp 35K - 3500K Color Temp 40K - 4000K Color Temp 50K - 5000K Color Temp	F - Fused TP - Tamper Resistant Screws SPD - Surge Protection Device
ORDER INFO			
EYE	AC	27K	F

Example ^ (may not represent a manufacturable product)

PROD	SOURCE	30K SPECS			
TVM	L13.0	<ul style="list-style-type: none"> • 30K - 3000K Color Temp • 1063 LED Source Lumens • 81.7 LED Source Lumens per Watt 			

REPLACEMENT PART	PART NO	NOTES
White Polycarbonate Diffuser	3410260	
EYE Fascia	5540599	
GRL Fascia	5540699	
RNG Fascia	5540499	

Don't see the configuration you are looking for?
Call us today at (513) 858-6004



TERONLIGHTING.COM
33 DONALD DR, FAIRFIELD, OH 45014
P: 513.858.6004 F: 513.858.6038
E: SALES@TERONLIGHT.COM



We reserve the right to revise the design components of any product due to parts availability or change in UL standards, without assuming any obligation or liability to modify any products previously manufactured, and without notice.