

LML250-C8-GTL-ACS CYRANOS



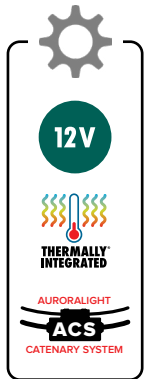
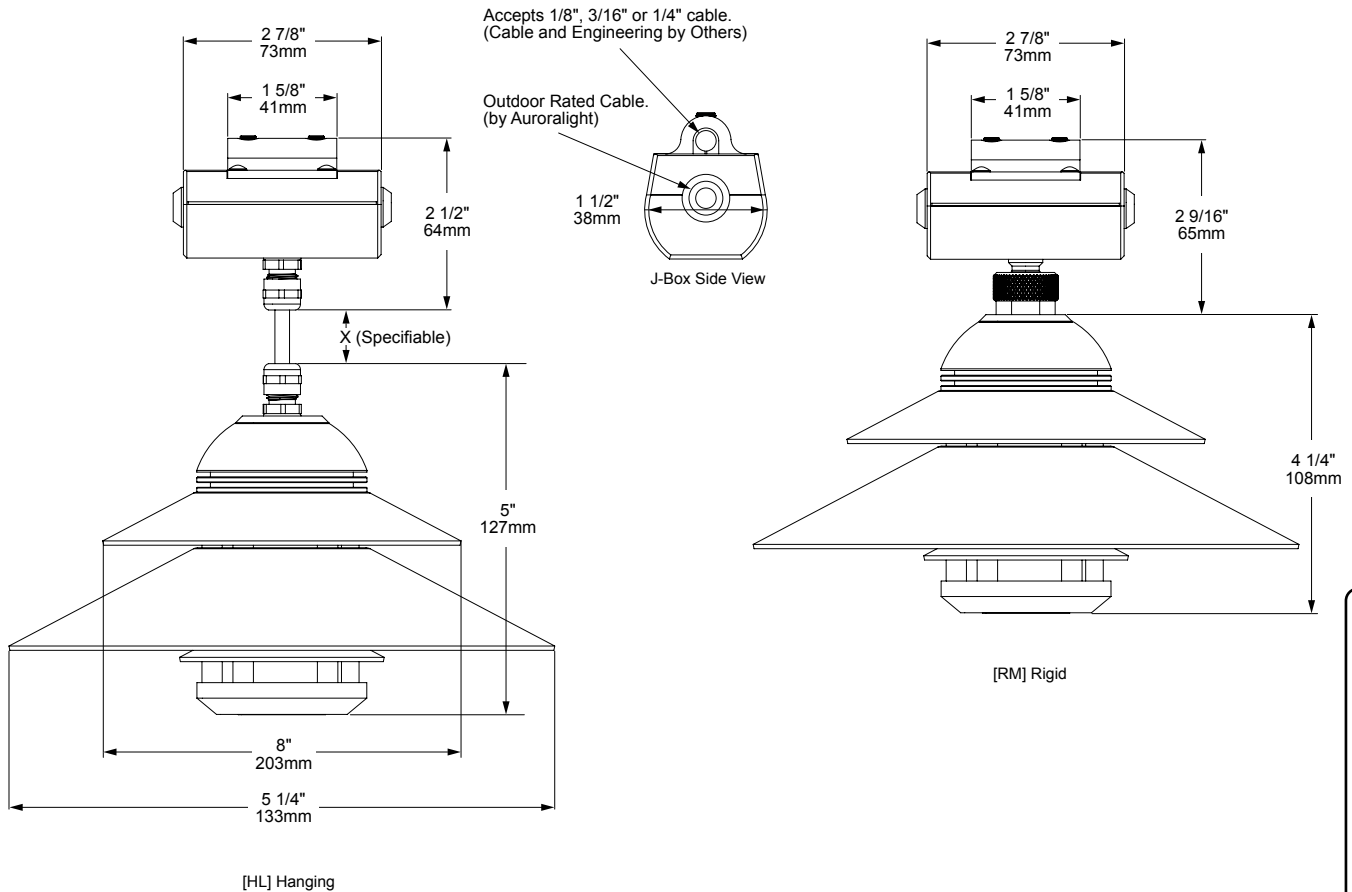
The compact LML250 pendant paired with our exclusive Aurora Catenary System (ACS) is the perfect selection to illuminate plazas, courtyards, and intimate patio areas beautifully. The LML250 is part of the Encore Collection, a consummate family of Pendants, Bollards, and Wall Sconces.

Fixture features include:

- 8 Watts up to 192 Lumens Delivered
- 2700K (80 & 90 CRI) or 3000K (80 CRI)
- Thermally Integrated® and Field Serviceable
- Dimmable to <10% Triac/Forward Phase) via compatible Transformer
- Compatible w/ 12V AC/DC ELV or MLV Transformers
- Solid Brass Construction

Catenary features include:

- Pre-assembled System for Easy Installation
- Catenary Cable up to 1/4" dia. accepted (by other)
- Rigid Mount utilizes Swivel-Pro™ allowing up to 15° of cable swag
- Cable Brake System™ prevents luminaire slippage
- Solid C3600 Billet Brass J-Box
- UL Approved System
- Also available with Non-Catenary Rigid and Hanging Mount Options (See LML250-C8-RM and LML250-C8-HL)



SEE NEXT PAGE FOR ORDERING INFORMATION





LML250-C8-GTL-ACS CYRANOS

ORDERING GUIDE: **LML250-C8-GTL-ACS** ^{Prefix} L (LED) ML (MOONLIGHTER) 250 (SERIES) C (CONICAL) 8 (INCHES) GTL (GLIMMER TOP W/ LOUVER) ACS (AURORA CATENARY SYSTEM)

INDICATES REQUIRED FIELD INDICATES OPTIONAL FIELD INCLUDED [_] QUICK SPEC (See Below)

QUICK SPEC SKU **LML250-C8-GTL-ACS-27-HL-NAT**



LML250-C8-GTL-ACS

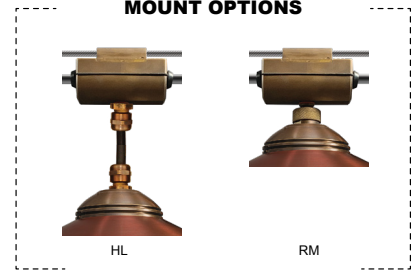
LED COLOR ✓
[27] 2700K, 80 CRI
[279] 2700K, 90 CRI
[30] 3000K, 80 CRI

NOTE: For other CCT and CRI options, contact factory

MOUNT ✓
[HL] Hanging
[RM] Rigid

FINISH
 Standard:
[NAT] Natural ✓
 Plus (\$):
[BLP] Bronze Living Patina
[BLP-XD] BLP Extra Dark
 Premium (\$\$\$):
[NI] Nickel PVD
[PVD] PVD Color (Contact Factory for Color Options)

MOUNT OPTIONS



LML250-C8-GTL-ACS CYRANOS

PHOTOMETRIC OVERVIEW

To download more in-depth IES photometric data, visit auroralight.com/product/lml250-c8-gtl-acs-cyranos/

Mounting Height - 8 Feet

