

LSW8 MERIDIAN

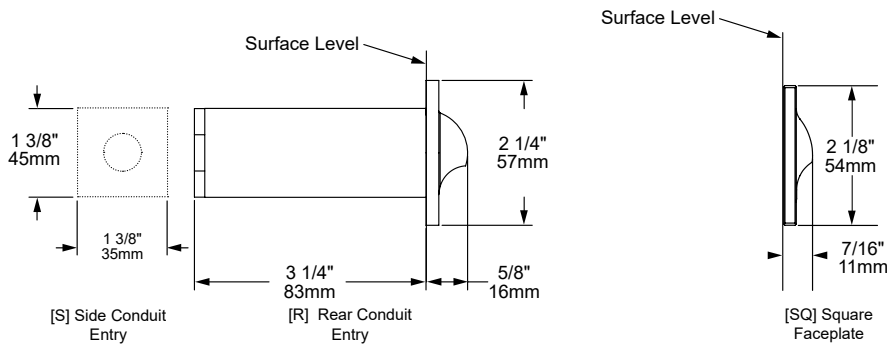
The **LSW8** offers excellent illumination of walkways and steps in a small, rugged design. The graceful appearance of the eyelid effectively shields against glare, while the small aperture allows excellent forward projection with even illumination side to side. Pair with our LSW8-PL to provide design continuity, uniform spacing and light levels in the absence of a structure.



LSW8-BR-R-NAT

Features include:

- 1.25 Watts and up to 38 lumens
- Cree XLAMP® (XP-L) LED
- Interchangeable UV & Shock Resistant Silicone optic
- 2700K (80 & 90 CRI), 3000K (80 CRI), 4000K (80 CRI), or Amber
- Thermally Integrated® w/ Copper Core Technology®
- 12V Integral Constant Current Driver (Remote 12V AC/DC Transformer Required)
- Dimmable to <10% (TRIAC/Forward Phase) via Compatible Transformer
- Compatible w/ 12V AC/DC ELV or MLV Transformers
- IC Rated and wet location listed for interior and exterior use
- Solid Brass and Copper construction



FACEPLATE OPTIONS



SQ-BR-NAT



CU-NAT



BR-NI



BR-BLP

COPPER CORE TECHNOLOGY®

Copper Core® is a registered trademark of Auroralight. It is synonymous with the mark of quality and integrity. It means that our products are built upon a superior foundation of Solid Copper, ensuring every critical part functions seamlessly together Thermally integrated® one component to the next. Auroralight manufactured without compromise, engineered with passion, in the USA.



SEE NEXT PAGE FOR ORDERING INFORMATION



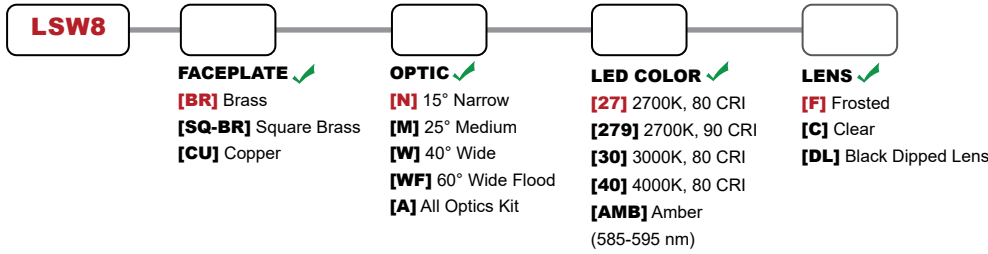
LSW8 MERIDIAN



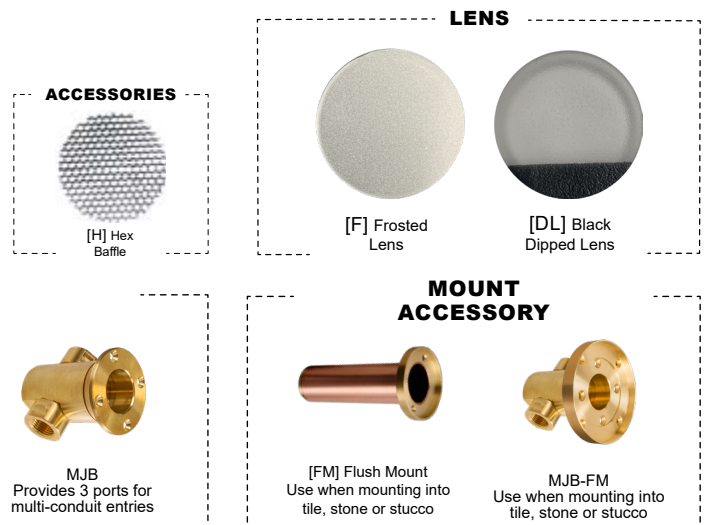
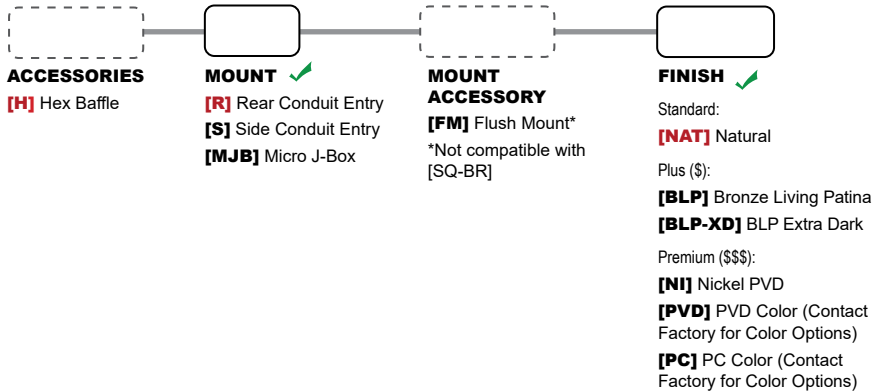
ORDERING GUIDE: ^{Prefix} **LSW8** L (LED) SW (STEP/WALL LIGHT) 8 (8 X 1/8)

☐ INDICATES REQUIRED FIELD ☐ INDICATES OPTIONAL FIELD ✓ INCLUDED [_] QUICK SPEC (See Below)

QUICK SPEC SKU **LSW8-BR-N-27-F-H-R-NAT**



NOTE: For other CCT and CRI options, contact factory



PHOTOMETRIC OVERVIEW

To download more in-depth IES photometric data, visit auroralight.com/product/lsl6-dl-cyclops/

Mounting Height - 2 Feet

