

LQWM QUBE

The LQWM wall sconce is petite and sleek delivering exceptional performance with soft diffused illumination and 100° wide flood distribution for an effective wall wash. Available in a single or double light source; the double light source version is ideal for grazing vertical elements and creating visual interest on larger walls.

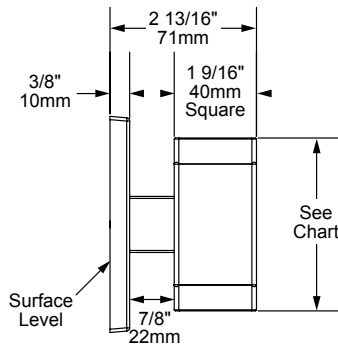
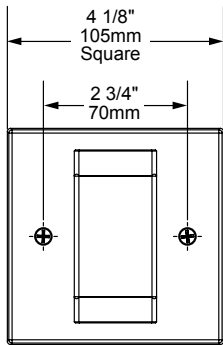
Features include:

- 3 or 6 watts, up to 290 Lumens at 2700K
- Cree XP-L® High Density LED
- Precision Machined Acrylic Optic
- 2700 or 3000K (CRI 80 typ.), or Amber 585-595nm
- Thermally Integrated® w/ Copper Core Technology®
- 12V Integral Constant Current Driver Ac or Dc input.
- Dimmable to <10% (TRIAC/Forward Phase)
- Compatible w/ 12V AC/DC MLV or ELV Transformers
- Solid Copper and Brass Construction



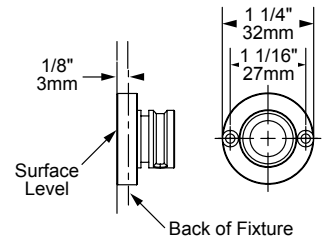
1-60-BLP

2-60-60-BLP



LIGHT SOURCE LENGTH CHART

Glare Shield	Length
60° Angled Shield	3 1/4" (83mm)
90° Straight Shield	3" (76mm)
No Shield	2 3/8" (60mm)
60° Angled Shield (Double)	5 1/8" (130mm)
90° Straight Shield (Double)	4 1/2" (114mm)
No Shield (Double)	3 1/4" (83mm)



Wrought Iron Fence Mount

COPPER CORE TECHNOLOGY®

Copper Core® is a registered trademark of Auroralight. It is synonymous with the mark of quality and integrity. It means that our products are built upon a superior foundation of Solid Copper, ensuring every critical part functions seamlessly together Thermally integrated® one component to the next. Auroralight manufactured without compromise, engineered with passion, in the USA.



12V



THERMALLY INTEGRATED

SEE NEXT PAGE FOR ORDERING INFORMATION





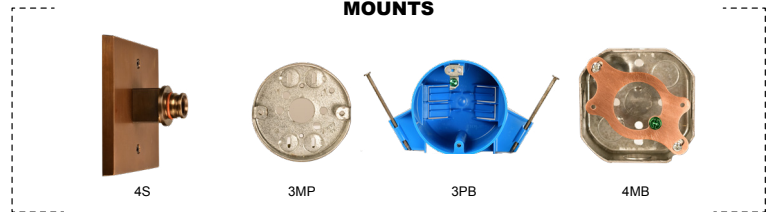
ORDERING GUIDE: ^{Prefix} **LQWM** L (LED) Q (QUBE) WM (WALL MOUNT)

INDICATES REQUIRED FIELD
 INDICATES OPTIONAL FIELD
 ✓ INCLUDED
 [_] QUICK SPEC (See Below)

QUICK SPEC SKU **LQWM-1-60-27-4S-NB-NAT**

LQWM					
LIGHT SOURCE ✓	LED COLOR ✓	MOUNT	MOUNT BOX	FINISH	
Single Glare Shield (3W) [1-60] 60° Angled [1-90] 90° Straight [1-NS] No Shield Double Glare Shield (6W) [2-60-60] 60° and 60° [2-60-90] 60° and 90° [2-60-NS] 60° and NS [2-90-90] 90° and 90° [2-90-NS] 90° and NS [2-NS-NS] NS and NS	[27] 2700K [30] 3000K [AMB] Amber (XP-E) (585-595nm)	[4S] 4" Square Cover Plate [WI] Wrought Iron Fence	[NB] No Box [3MP] 3" Metal Pancake [3PB] 3" Plastic Box [4MB] 4" Metal Box	Standard: [NAT] Natural ✓ [PCW] Powder Coat White Plus (\$): [BLP] Bronze Living Patina [BLP-XD] BLP Extra Dark Premium (\$\$\$): [NI] Nickel PVD [PC] Powder Coat Custom Color (Contact Factory for Color Options) [PVD] PVD Color (Contact Factory for Color Options)	

MOUNTS



PHOTOMETRIC OVERVIEW

To download more in-depth IES photometric data, visit auroralight.com/product/lqwm-qube/

3000K 170.0 LUMENS • CBCP 62 AURORALIGHT LQWM-1-NS-30		
4 FT	1.71	7.09
6 FT	0.615	11.8
8 FT	0.314	16.5
10 FT	0.190	21.3
12 FT	0.127	26.0
14 FT	0.0910	30.7
16 FT	0.0683	35.5
Distance From Fixture	Footcandles	Beam Width

