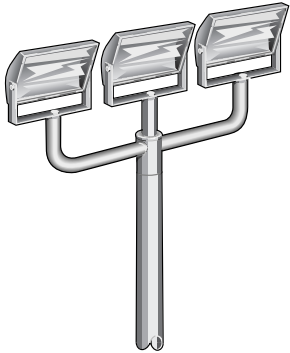
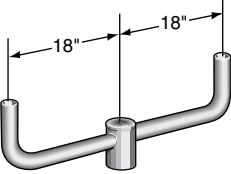
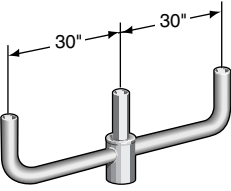
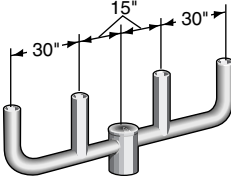
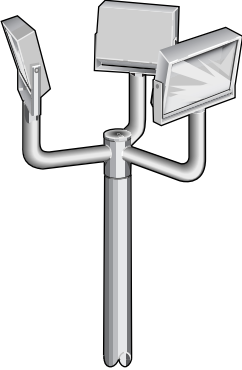
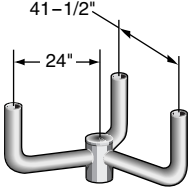
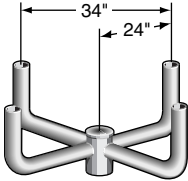


Tenon loading is calculated for weights based on a 100 M.P.H. constant wind with a 1.3 gust factor located 30' above grade. When loading requirements exceed these limits contact your Valmont representative or Valmont Industries, Inc.

- 2-3/8" O.D. tenons and mounting arms - other sizes available upon request.
- Bracket hubs slipfit 3", 4", 4-1/2" and 6" O.D. pole tops or tenons.

ILLUSTRATION	DIMENSIONS	DESCRIPTION	MODEL NUMBER	EPA OF BRACKET	MAX WEIGHT LOAD PER TENON	MAX EPA LOAD PER TENON
		<b>Twin Bullhorn 180°</b>	2B180	.78	100	5.3
		<b>Triple Bullhorn 180°</b>	3B180	1.21	100	4.4
		<b>Quad Bullhorn 180°</b>	4B180	1.76	100	2.2
		<b>Triple Bullhorn 120°</b> "Spider" Configuration	3B120	.88	100	4.8
		<b>Quad Bullhorn 90°</b> "Spider" Configuration	4B90	1.00	100	4.8

Variations from sizes listed above are available upon inquiry at the factory.