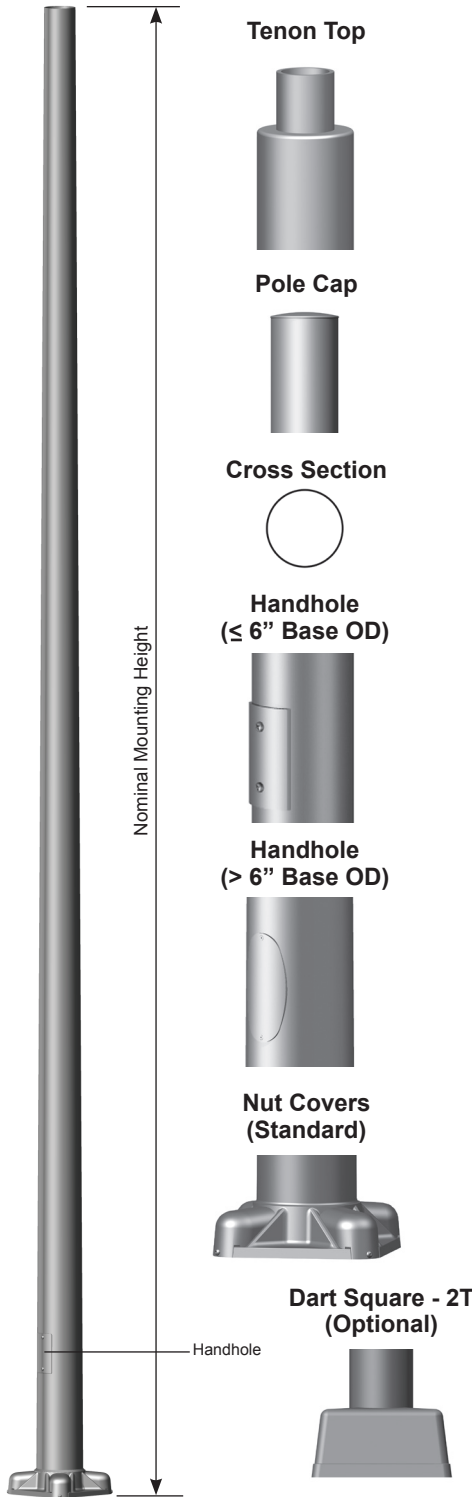


Job Name: _____	Client Name: _____
Job Location - City: _____ State: _____	Created By: _____ Date: _____
Product: _____ Quote: _____	Customer Approval: _____ Date: _____

SPECIFICATIONS



Pole - The pole shaft is spun from seamless alloy aluminum.

Pole Top - A pole top tenon is provided for top mount luminaire and/or bracket. A removable pole cap is available for poles receiving drilling patterns for side-mount luminaire arm assemblies.

Handhole - A covered handhole with hardware and grounding provision are provided.

Base Cover - Optional Dart Square-2T cast and decorative base covers available as special order.

Anchor Base - The anchor base is cast from 356 alloy aluminum. The completed assembly is heat-treated to a T6 temper. Aluminum nut covers are included with anchor base unless otherwise specified.

Anchor Bolts - Anchor bolts conform to ASTM F1554 Grade 55 and are provided with two hex nuts and two flat washers. Bolts have an "L" bend on one end and are galvanized a minimum of 12" on the threaded end.

Finish - The standard finish for the pole assembly and components is satin brushed, natural anodize, duranodic or polyester powder applied coating in accordance with Valmont's Specifications. Additional finish options available upon request.

Design Criteria - Please reference Design Criteria Specification for appropriate design conditions.

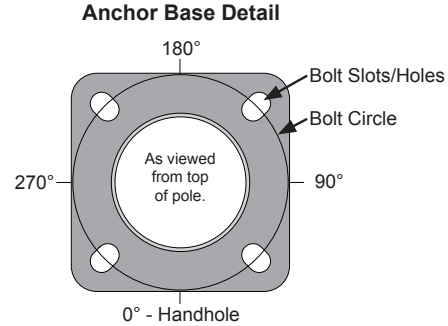
18' to 25' ROUND TAPERED ALUMINUM 4-Bolt Anchor Base



Job Name: _____	Client Name: _____
Job Location - City: _____ State: _____	Created By: _____ Date: _____
Product: _____ Quote: _____	Customer Approval: _____ Date: _____

ANCHORAGE DATA

POLE		BASE PLATE				ANCHOR BOLTS		
BASE OD (IN)	WALL THK (IN)	BOLT CIRCLE		SQUARE (IN)	THK (IN)	DIA x LENGTH x HOOK (IN)	PROJECTION (IN)	± (IN)
		DIA (IN)	± (IN)					
5.00	0.125	8.63	0.88	9.61	0.630	0.75 x 17.00 x 3.00	3.25	N/A
5.00	0.156	8.63	0.88	9.61	0.630	0.75 x 17.00 x 3.00	3.25	N/A
5.00	0.188	8.63	0.88	9.61	0.630	0.75 x 17.00 x 3.00	3.25	N/A
6.00	0.156	9.50	0.75	10.32	0.630	0.75 x 17.00 x 3.00	3.50	N/A
6.00	0.188	9.50	0.75	10.32	0.630	0.75 x 17.00 x 3.00	3.50	N/A
7.00	0.156	10.56	0.43	11.26	0.750	1.00 x 36.00 x 4.00	4.13	N/A
8.00	0.156	11.63	0.37	12.05	0.750	1.00 x 36.00 x 4.00	4.13	N/A
8.00	0.188	11.63	0.37	12.05	0.750	1.00 x 36.00 x 4.00	4.13	N/A
9.00	0.156	13.25	0.75	12.48	1.250	1.00 x 36.00 x 4.00	4.13	N/A



LOAD AND DIMENSIONAL DATA

NOMINAL MOUNTING HEIGHT	DESIGN INFORMATION										POLE DIMENSIONS					
	70 MPH w/1.3 GUST		80 MPH w/1.3 GUST		90 MPH w/1.3 GUST		100 MPH w/1.3 GUST		110 MPH w/1.3 GUST		POLE HEIGHT	BASE OD (IN)	TOP OD (IN)	WALL THK (IN)	STRUCTURE WEIGHT2 (LBS)	MODEL NUMBER
	MAX EPA1 (SQ FT)	MAX WEIGHT (LBS)	MAX EPA1 (SQ FT)	MAX WEIGHT (LBS)	MAX EPA1 (SQ FT)	MAX WEIGHT (LBS)	MAX EPA1 (SQ FT)	MAX WEIGHT (LBS)	MAX EPA1 (SQ FT)	MAX WEIGHT (LBS)						
18'-0"	6.5	100	4.4	100	3.1	100	2.2	100	1.5	100	17'-8"	5.00	3.00	0.125	40	170830504T4
	8.6	100	6.0	100	4.3	100	3.2	100	2.4	100	17'-8"	5.00	3.00	0.156	48	170830505T4
	10.7	100	7.6	100	5.6	100	4.2	100	3.2	100	17'-8"	5.00	3.00	0.188	56	170830506T4
	15.4	100	11.3	100	8.6	100	6.8	100	5.5	100	17'-8"	6.00	4.00	0.156	59	170840605T4
	18.9	100	14.0	100	10.7	100	8.5	100	6.9	100	17'-8"	6.00	4.00	0.188	70	170840606T4
20'-0"	24.2	150	17.9	150	13.8	150	10.9	150	8.9	150	17'-8"	7.00	4.00	0.156	66	170840705T4
	5.1	100	3.3	100	2.1	100	1.3	100	0.8	100	19'-8"	5.00	3.00	0.125	42	190830504T4
	7.0	100	4.7	100	3.2	100	2.2	100	1.5	100	19'-8"	5.00	3.00	0.156	51	190830505T4
	8.8	100	6.1	100	4.3	100	3.1	100	2.3	100	19'-8"	5.00	3.00	0.188	60	190830506T4
	12.7	100	9.1	100	6.8	100	5.3	100	4.2	100	19'-8"	6.00	4.00	0.156	63	190840605T4
23'-0"	15.8	100	11.4	100	8.6	100	6.8	100	5.4	100	19'-8"	6.00	4.00	0.188	74	190840606T4
	20.5	150	15.1	150	11.5	150	9.0	150	7.3	150	19'-8"	7.00	4.00	0.156	73	190840705T4
	9.5	100	6.5	100	4.6	100	3.4	100	2.7	100	22'-8"	6.00	4.00	0.156	68	220840605T4
	12.1	100	8.5	100	6.2	100	4.7	100	3.7	100	22'-8"	6.00	4.00	0.188	80	220840606T4
	16.0	150	11.5	150	8.6	150	6.6	150	5.3	150	22'-8"	7.00	4.00	0.156	77	220840705T4
25'-0"	22.4	150	16.5	150	12.7	150	10.0	150	8.1	150	22'-8"	8.00	4.50	0.156	87	220845805T4
	27.7	150	20.6	150	15.9	150	12.6	150	10.2	150	22'-8"	8.00	4.50	0.188	102	220845806T4
	29.9	150	22.3	150	17.3	150	13.7	150	11.1	150	22'-8"	9.00	4.50	0.156	97	220845905T4
	7.8	100	5.1	100	3.5	100	2.5	100	1.9	100	24'-8"	6.00	4.00	0.156	74	+240840605T4
	10.0	100	6.9	100	4.8	100	3.6	100	2.8	100	24'-8"	6.00	4.00	0.188	88	240840606T4
25'-0"	13.6	150	9.6	150	7.0	150	5.3	150	4.2	150	24'-8"	7.00	4.00	0.156	85	240840705T4
	19.4	150	14.2	150	10.8	150	8.5	150	6.8	150	24'-8"	8.00	4.50	0.156	96	240845805T4
	24.2	150	17.8	150	13.7	150	10.8	150	8.7	150	24'-8"	8.00	4.50	0.188	113	240845806T4
	26.2	150	19.4	150	15.0	150	11.8	150	9.5	150	24'-8"	9.00	4.50	0.156	107	240845905T4

- EPA represents the Effective Projected Area of each luminaire. Designs are limited to top mount or side-mount luminaires. Variations from sizes above are available upon inquiry at the factory. Satisfactory performance of poles is dependent upon the pole being properly attached to a supporting foundation of adequate design.
- Structure weight is a nominal value which includes the pole shaft and base plate.
+ Pole includes factory installed vibration damper.

PRODUCT ORDERING CODES

CROSS SECTION	MODEL NUMBER	FIXTURE MOUNTING	COLOR	OPTIONS	
R					
R = Round	170830504T4 170830505T4 170830506T4 170840605T4 170840606T4 170840705T4 190830504T4 190830505T4 190830506T4 190840605T4 190840606T4 190840705T4 220840605T4 220840606T4 220840705T4 220845805T4	Drill Mounting D1 = 1 Luminaire D2 = 2 @ 180° D3 = 3 @ 120° D4 = 4 @ 90° D5 = 2 @ 90° D6 = 3 @ 90° Tenon Mounting P2 = 2.38" OD x 4.00" P3 = 3.50" OD x 6.00" P4 = 4.00" OD x 6.00" P5 = 2.88" OD x 4.00" P7 = 2.38" OD x 5.00" PQ = 2.38" OD x 12.00" PD = 3.00" OD x 3.00" -- = Plain Top P9 = Other Tenon (Contact Factory)	Polyester Powder DWH = White DSS = Sandstone BR = Burgundy HG = Hunter Green DNA = Natural Aluminum DCG = Charcoal Gray DMB = Medium Bronze SBN = Sanded Brown DNB = New Dark Bronze DDB = Dark Bronze SBK = Sanded Black DBL = Black DSB = Steel Blue DTG = Dark Green DBR = Red SC = Special Color (Contact Factory)	Anodized 204 = Clear Natural 311 = Light Bronze* 312 = Medium Bronze* 313 = Dark Bronze* 335 = Black* *Duranodic Anodize Brushed SBF = Satin Brushed	See Accessories at valmontstructures.com (Please Specify with Code)