

- 10' to 20' mounting heights.
- 4" and 5" diameter poles
- Luminaires may be mounted on tenons, brackets, or shaft may be drilled to manufacturer's mounting specifications.

**SPECIFICATIONS**

All aluminum alloys shall comply with metallurgical and mechanical properties set forth in the Aluminum Association Standards.

**Shaft:** The shaft shall be spun tapered from all new 6063 alloy aluminum tubing and shall be heat treated to produce a T6 temper. Each shaft shall have a 6" long x 3" O.D. straight section at the top to accommodate single or multiple luminaire configurations as a slipfitter. The shaft shall be polished with fine grain aluminum oxide cloths, resulting in a high quality circumferential satin finish. After finishing, each pole shall be fully wrapped with neutral PH krinkle/kraft paper for protection in shipment.

**Pedestal Base:** The pedestal base is cast from A356 alloy aluminum and is circumferentially welded to the shaft. After fabrication assembly is heat treated to a T6 temper.

**Ground Lug Provision:** Each pole shall include a 5/16"-18 tapped provision for ground connector.

**Base Handhole:** The clear opening and door are a trapezoid configuration. The clear opening on the vertical axis is 7". The opening on the horizontal axis is 6-1/4" at the top and 8" at the bottom.

**Anchor Bolts:** Each pedestal base shall include: (3) 3/4"-10 x 17" steel fully hot dip galvanized anchor bolts each with (2) nuts and (2) flat washers.

**Special Finishes:** Natural anodize, duranodic, or painted finishes may be specified as an addition to the satin brushed finish, if required. All aluminum parts and accessories shall receive a finish similar to that specified.

**CATALOG LOGIC**

Feet and Inches	Top Diameter	Base Diameter	Wall Thickness	Shape of Shaft	Base or Mounting	Fixture Mounting	Finishes	Options
<input type="text"/>	<input type="text"/>	<input type="text"/>	<input type="text"/>	<input type="text"/>	<input type="text"/>	<input type="text"/>	<input type="text"/>	<input type="text"/>

Feet & Inches*	Diameter*	Wall Thickness*	Shape of Shaft	Base or Mounting	Fixture Mounting	Finishes	Options
0908 - 10'	<b>TOP DIAMETER IN INCHES</b>	<b>THICKNESS IN 32NDS OF AN INCH</b>	T - Tapered Round	P - Pedestal Base (3-Bolt)	D1 - 1@90° D2 - 2@180° D3 - 3@120° D4 - 4@90° D5 - 2@90° D6 - 3@90° P2 - 2-3/8" x 4 Tenon P9 - Other Tenon (Please Specify)	<b>POLYESTER POWDER</b> DBL - Black DCG - Charcoal Gray DMB - Med Bronze Alum DSB - Steel Blue Sandstone DTG - Dark Green SC - Special Color (Please Specify) <b>ANODIZED</b> 204 - Clear Natural 312 - Med Bronze* 335 - Black*	DBR - Bright Red DDB - Dark Bronze DNA - Natural DSS - DWH - White 311 - Light Bronze* 313 - Dark Bronze* * Duranodic Anodize
1108 - 12'	30 - 3"	4 - 4/32"or 0.125" Wall					See
1308 - 14'	<b>BASE DIAMETER* IN INCHES</b>	5 - 5/32"or 0.156" Wall					Accessory Section (Please Specify with Code #)
1508 - 16'	40 - 4"	6 - 6/32"or 0.188" Wall					
1708 - 18'							
1908 - 20'	50 - 5"						

\* For available Base Diameter, Wall Thickness and Length Combinations, see Dimensional Load Data Table that follows.

Customer Approval:

signature

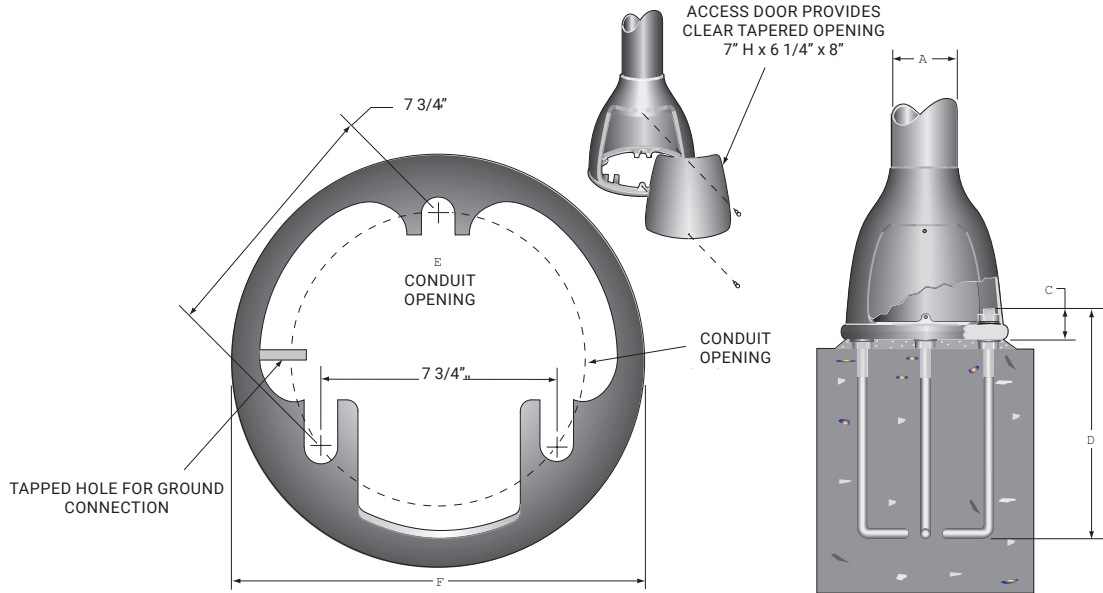
date

Job Name:	Quote:
Client Name:	
Created By:	Date:

**10' TO 20' ROUND TAPERED  
PEDESTAL BASE POLES**

**ANCHOR BASE AND BOLT DETAIL**

A	B	C	D	E	F
POLE DIAMETER	BOLT CIRCLE	BOLT PROJECTION	BOLT SIZE	CONDUIT OPENING	BASE SIZE
4"	9"	3-1/2"	3/4" x 17"	7-1/4"	12-1/2" Diameter
5"	9"	3-1/2"	3/4" x 17"		12-1/2" Diameter



**DIMENSIONAL AND LOAD DATA**

TYPICAL WEIGHT AND ALLOWABLE SIZE OF LUMINAIRES*							DIMENSIONS OF POLES				
NOMINAL MOUNTING MODEL	TYPICAL LUMINAIRE	EFFECTIVE PROJECTED AREA IN SQUARE FEET AT:					POLE	TOP	BASE	WALL	
		70	80	90	100	110					
10'	75	11.9	8.8	6.7	5.2	4.1	9'8"	3"	4"	.125"	0908 - 30404TP
10'	75	19.7	14.7	11.4	9.0	7.3	9'8"	3"	5"	.125"	0908 - 30504TP
12'	75	9.1	6.6	4.8	3.6	2.8	11'8"	3"	4"	.125"	1108 - 30404TP
12'	75	15.5	11.4	8.7	6.8	5.4	11'8"	3"	5"	.125"	1108 - 30504TP
12'	75	19.4	14.4	11.1	8.7	7.0	11'8"	3"	5"	.156"	1108 - 30505TP
12'	75	23.3	17.4	13.4	10.6	8.6	11'8"	3"	5"	.188"	1108 - 30506TP
14'	75	6.9	4.9	3.4	2.4	1.8	13'8"	3"	4"	.125"	1308 - 30404TP
14'	75	12.3	8.9	6.6	5.1	4.0	13'8"	3"	5"	.125"	1308 - 30504TP
14'	75	15.6	11.4	8.6	6.7	5.3	13'8"	3"	5"	.156"	1308 - 30505TP
14'	75	18.9	13.9	10.6	8.3	6.7	13'8"	3"	5"	.188"	1308 - 30506TP
16'	75	5.3	3.5	2.3	1.5	0.9	15'8"	3"	4"	.125"	1508 - 30404TP
16'	75	9.8	6.9	5.0	3.8	2.9	15'8"	3"	5"	.125"	1508 - 30504TP
16'	75	12.6	9.1	6.8	5.2	4.0	15'8"	3"	5"	.156"	1508 - 30505TP
16'	75	15.5	11.3	8.5	6.5	5.2	15'8"	3"	5"	.188"	1508 - 30506TP
18'	75	7.8	5.3	3.7	2.7	2.0	17'8"	3"	5"	.125"	1708 - 30504TP
18'	150	9.9	7.0	5.0	3.7	2.8	17'8"	3"	5"	.156"	1708 - 30505TP
18'	150	12.4	8.8	6.5	4.9	3.8	17'8"	3"	5"	.188"	1708 - 30506TP
20'	150	6.3	4.1	2.7	1.7	1.1	19'8"	3"	5"	.125"	1908 - 30504TP
20'	150	8.1	5.5	3.8	2.6	1.9	19'8"	3"	5"	.156"	1908 - 30505TP
20'	150	10.3	7.2	5.1	3.7	2.8	19'8"	3"	5"	.188"	1908 - 30506TP

\* EPA calculations are based on a 1.3 Gust Factor. Variations from sizes listed above, available upon inquiry at the factory. Satisfactory performance of lighting poles is dependent upon the pole being properly attached to a supporting foundation of adequate design. Valmont does not design or offer recommendations for foundations.  
\*\* Model number does not include mounting options or finish designation.