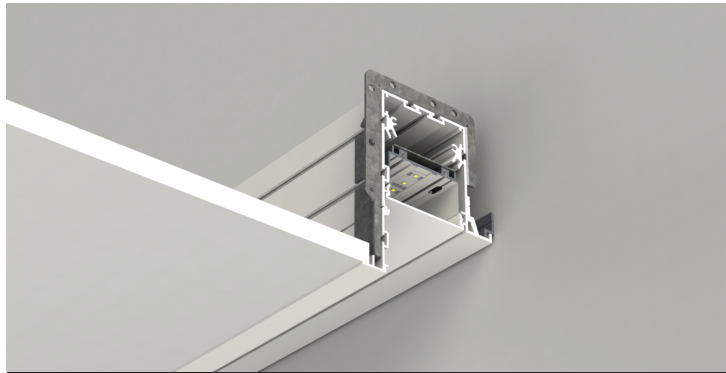


Perimeter System 3 - Ambient Light Distribution

(3 3/8" Luminous Aperture with 2 1/4" Regress)



S P E C I F I C A T I O N S

Housing

Two-piece .070" thick extruded aluminum available in single sections up to 8' long. Standard finish for flange and wall rail is satin white.

Optical Controls

(LOH) LED optimized high transmittance acrylic snap-in lens.

Reflector/Heat Sink

.060" thick extruded aluminum finished with a high reflectance white enamel.

Wiring

All fixtures intended for continuous rows are provided with factory installed quick-connect wiring.

Controls

Contact factory for information on remote mounted occupancy sensor controls.

Driver (Standard)

Osram-Sylvania "Optotronic" power supply is UL/CUL recognized, 0-10V dimming available, 120-277 universal voltage. 347V is available. Optional drivers available - consult factory.

Telescoping Fixture

Innovative telescoping fixture includes an adjustable aluminum housing that facilitates wall-to-wall installations. (Available with Ambient and Wall Wash distributions.)

Light Engine (Standard)

LED light source available for 3000K, 3500K, or 4000K CCT, in high and medium light outputs, and 80 or 90 CRI. Standard outputs at 80 CRI:

HO - High Output (LOH Lens)

*2922 Total Delivered Lms. at 28 System Watts

MO - Medium Output (LOH Lens)

*1988 Total Delivered Lms. at 19 System Watts

(*All values per 4' using 4000K LED modules)

Driver (Tunable White)

EldoLED power supply is UL recognized, DALI, 0-10V, or DMX available, 120-277 universal voltage.

Light Engine (Tunable White)

Tunable White LED light source available for 2700K thru 6500K CCT, and 80 or 90 CRI.

Circuitry

All fixtures are factory pre-wired for a single circuit Provision for multiple switching/circuiting is optional.

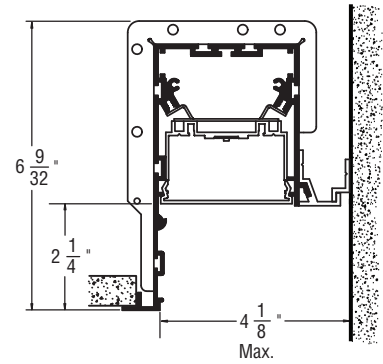
Certification

Fixtures are ETL listed for use in 'Dry or Damp Applications'. Conforms to UL Standard #1598 and CAN/CSA Standard #C22.2.No.250.0. IC rated.

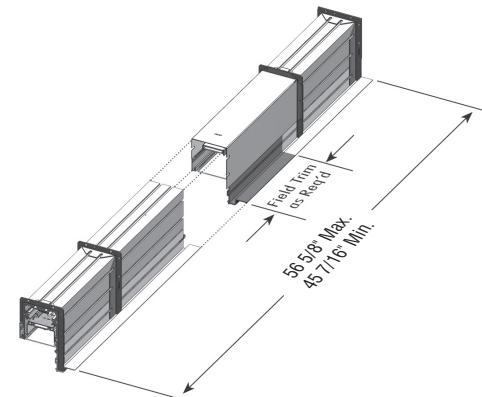
*Due to continued advancement in LED technology, lumen performance is subject to change. Please visit our website for the most up-to-date information.



1/2" or 5/8" Thick Drywall Ceilings - Overlap Flange



PS3-A-HO-OF
PS3-A-MO-OF
Drywall Overlap Flange



Telescoping Lit Fixture

Facilitates exact continuous row dimensions, including wall-to-wall and pattern installations. Allows for an overall adjustment of 11 - 3/16". (*See OPTIONS below)

Sample Catalog Number: **PS3 - A - HO - K40 - 80 - 4 - OF - TR - LOH - 120 - DIM1 - OPTIONS**

PS3	A	HO	K40	80	4	OF	TR	LOH	120	DIM1	OPTIONS
-----	---	----	-----	----	---	----	----	-----	-----	------	---------

PAL Perimeter System 3 (PS3) Distribution: Ambient

Lumen Output / 4': **HO** - High Output = 2922 Total Lms. - 105 Lm/W
(Using 4000K) **MO** - Medium Output = 1988 Total Lms. - 106 Lm/W
CO - Custom Output (Contact factory for available output range)

CCT: **K30**-3000K, **K35**-3500K, **K40**-4000K, **TW**-Tunable White (2700K - 6500K)

CRI: **80** (Standard), **90** (Optional)

Fixture Lengths: 2', 3', 4', 5', 6', 7' and 8' Standard
Continuous rows longer than 8': Enter Row Length
Row lengths can be specified to the nearest foot increment using standard length fixtures, or to exact dimensions with the addition of the Telescoping Lit Fixture. (*See "options" below)

Ceiling Type: **OF** = Drywall Overlap Flange

Mounting: **TR** = 1/4-20 Threaded Rod - (By Others) - (OF)

Optical Control: **LOH** = LED Optimized Acrylic Snap-in Lens

Voltage: **120V, 277V, 347V** or **UNV** (Universal Voltage)

Dimming: **DIM1** = Standard Driver with Available Dimming - 100% to 1% **DIM0** = Optional Driver with Available Dimming - 100% to 0% (Dark)

Options: **TEL** = Telescoping Lit Fixture (Adjust. 45 7/16" Min. to 56 5/8" Max.) - *Used when exact dimension is required. **NLCKT** = Night-Light Circuit (Common Neutral)
EMCKT = Emergency Circuit (Separate Hot & Neutral) **FS** = Fused Drivers **GTD** = Generator Transfer Device **EBPHST** = Self-Test Battery Pack (10 Watt) (*N/A for 2' or 3')
CP = Chicago Plenum **DALI** = DALI Protocol Driver (Tunable White) **DMX** = DMX Protocol Driver (Tunable White) **0-10V/TW** = 0-10V Driver (Tunable White)



Precision Architectural Lighting 4830 Timber Creek Drive Houston, Texas 77017
Tel 713.946.4343 Fax 713.946.4441 www.pal-lighting.com



Made in America

Recessed Perimeter - Ambient

PS3-A-HO-K40-LOH

High Output - Ambient Distribution

LED Optimized High Transmittance Lens

Catalog Number: PS3-A-HO-K40-80-4'-X-LOH-120

Report Number: #LLIA001084-001.ies

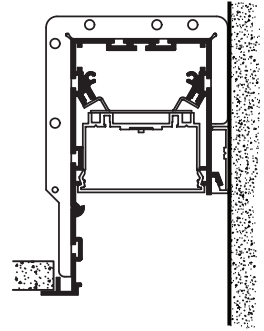
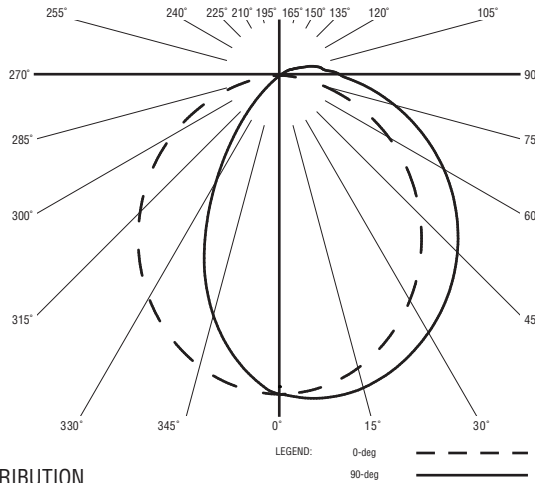
Luminaire Description: Extruded Aluminum Housing with White Aluminum Reflector, no Optic, and LOH Acrylic Lens.

LED Module: Multiple White Low-Power Light Emitting Diodes (LEDs) in a precise layout.

Total Luminaire Efficacy = 104.7 Lm/W

4% Up 96% Down

Color Rendering Index (CRI) = 83



ZONAL LUMEN SUMMARY

Zone	Lumens	%Fixture
0- 30	856	29.3
0- 40	1343	46.0
0- 60	2199	75.2
0- 90	2815	96.3
90- 180	107	3.7
0- 180	2922	100.0

CANDELA DISTRIBUTION

	0.0	22.5	45.0	67.5	90.0
0	1182	1182	1182	1182	1182
5	1199	1202	1197	1177	1173
15	1197	1194	1179	1146	1121
25	1141	1131	1108	1065	1024
35	1051	1033	1002	948	892
45	929	907	874	805	734
55	783	759	722	649	562
65	618	595	552	483	377
75	447	425	375	304	191
85	287	269	220	140	40
90	227	210	159	81	0

PS3-A-MO-K40-LOH

Medium Output - Ambient Distribution

LED Optimized High Transmittance Lens

Catalog Number: PS3-A-MO-K40-80-4'-X-LOH-120

Report Number: #LLIA001084-002.ies

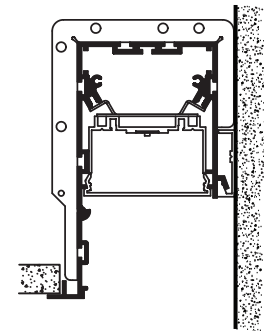
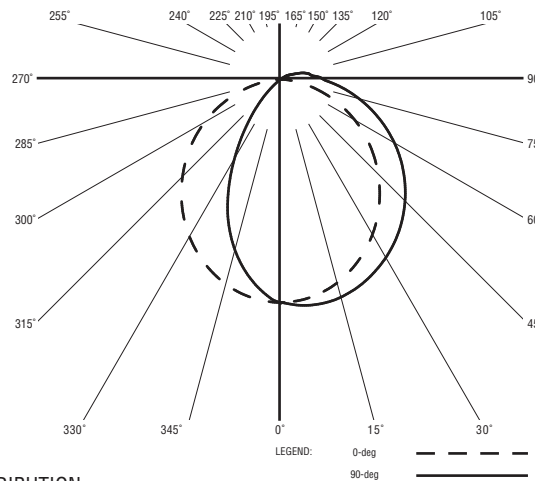
Luminaire Description: Extruded Aluminum Housing with White Aluminum Reflector, no Optic, and LOH Acrylic Lens.

LED Module: Multiple White Low-Power Light Emitting Diodes (LEDs) in a precise layout.

Total Luminaire Efficacy = 106.3 Lm/W

4% Up 96% Down

Color Rendering Index (CRI) = 83



ZONAL LUMEN SUMMARY

Zone	Lumens	%Fixture
0- 30	582	29.3
0- 40	914	46.0
0- 60	1496	75.2
0- 90	1915	96.3
90- 180	73	3.7
0- 180	1988	100.0

CANDELA DISTRIBUTION

	0.0	22.5	45.0	67.5	90.0
0	804	804	804	804	804
5	817	818	815	801	798
15	815	813	803	780	763
25	777	770	754	725	697
35	715	703	682	645	607
45	632	618	595	548	499
55	533	517	492	442	382
65	421	405	376	329	257
75	304	290	256	207	130
85	196	184	150	95	27
90	154	143	108	55	0

For more information, visit our website at www.pal-lighting.com



Precision Architectural Lighting 4830 Timber Creek Drive Houston, Texas 77017
Tel 713.946.4343 Fax 713.946.4441 www.pal-lighting.com



Made in America