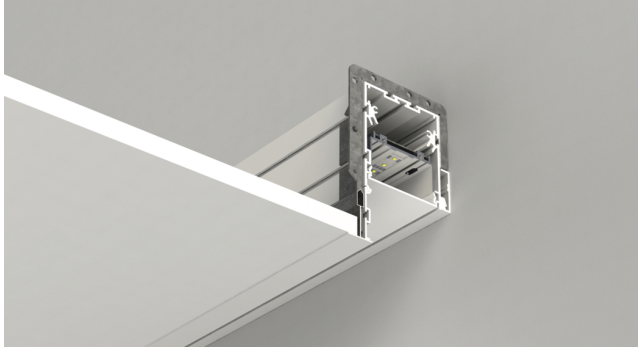


# Perimeter System 3 - Ambient Light Distribution

(3 3/8" Luminous Aperture with 2 1/4" Regress)

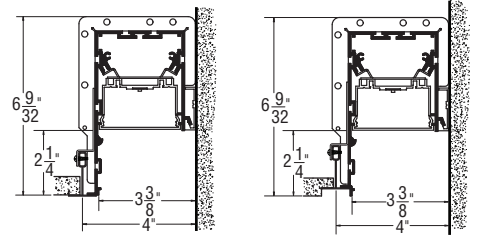


Catalog Number	Type
Project Name	

## Grid Ceilings

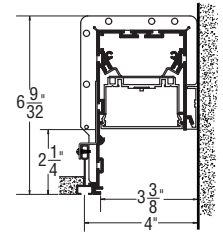


Limited Warranty LED Boards & Driver

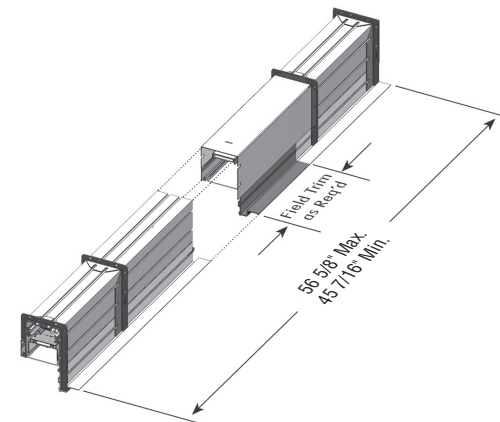


PS3-A-HO-FT or PS3-A-MO-FT Flush Tile

PS3-A-HO-TT or PS3-A-MO-TT Tegular Tile



PS3-A-HO-SG or PS3-A-MO-SG Screw Slot Grid



Telescoping Lit Fixture

Facilitates exact continuous row dimensions, including wall-to-wall and pattern installations. Allows for an overall adjustment of 11 - 3/16". (\*See OPTIONS below)

## S P E C I F I C A T I O N S

### Housing

Two-piece .070" thick extruded aluminum available in single sections up to 8' long. Standard finish for flange and wall rail is satin white.

### Optical Controls

(LOH) LED optimized high transmittance acrylic snap-in lens.

### Reflector/Heat Sink

.060" thick extruded aluminum finished with a high reflectance white enamel.

### Wiring

All fixtures intended for continuous rows are provided with factory installed quick-connect wiring.

### Controls

Contact factory for information on remote mounted occupancy sensor controls.

### Driver (Standard)

Osram-Sylvania "Optotronic" power supply is UL/CUL recognized, 0-10V dimming available, 120-277 universal voltage. 347V is available. Optional drivers available - consult factory.

### Telescoping Fixture

Innovative telescoping fixture includes an adjustable aluminum housing that facilitates wall-to-wall installations. (Available with Ambient and Wall Wash distributions.)

### Light Engine (Standard)

LED light source available for 3000K, 3500K, or 4000K CCT, in high and medium light outputs, and 80 or 90 CRI. Standard outputs at 80 CRI:

**HO** - High Output (LOH Lens)

\*2922 Total Delivered Lms. at 28 System Watts

**MO** - Medium Output (LOH Lens)

\*1988 Total Delivered Lms. at 19 System Watts

(\*All values per 4' using 4000K LED modules)

### Driver (Tunable White)

EldoLED power supply is UL recognized, DALI, 0-10V, or DMX available, 120-277 universal voltage.

### Light Engine (Tunable White)

Tunable White LED light source available for 2700K thru 6500K CCT, and 80 or 90 CRI.

### Circuitry

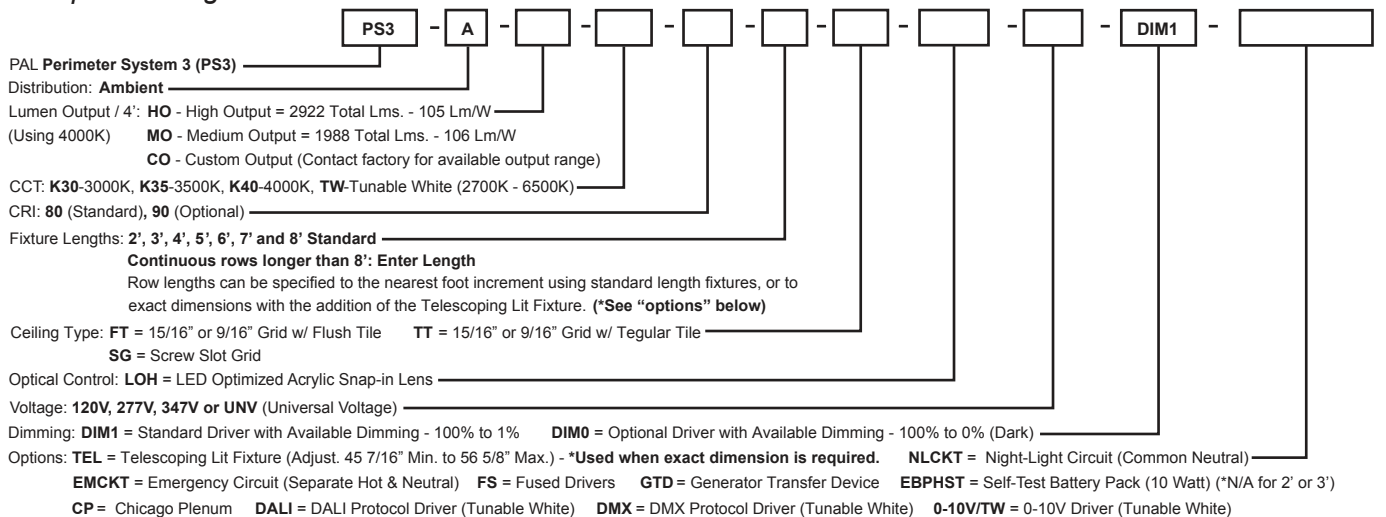
All fixtures are factory pre-wired for a single circuit. Provision for multiple switching/circuiting is optional.

### Certification

Fixtures are ETL listed for use in 'Dry or Damp Applications'. Conforms to UL Standard #1598 and CAN/CSA Standard #C22.2No.250.0. IC rated.

\*Due to continued advancement in LED technology, lumen performance is subject to change. Please visit our website for the most up-to-date information.

Sample Catalog Number: **PS3 - A - HO - K40 - 80 - 4 - FT - LOH - 120 - DIM1 - OPTIONS**



# Recessed Perimeter - Ambient

## PS3-A-HO-K40-LOH

### High Output - Ambient Distribution

#### LED Optimized High Transmittance Lens

**Catalog Number:** PS3-A-HO-K40-80-4'-X-LOH-120

**Report Number:** #LLIA001084-001.ies

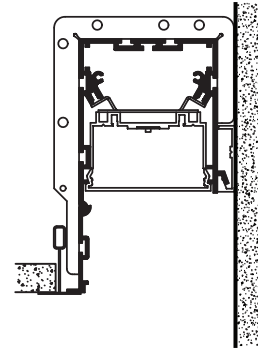
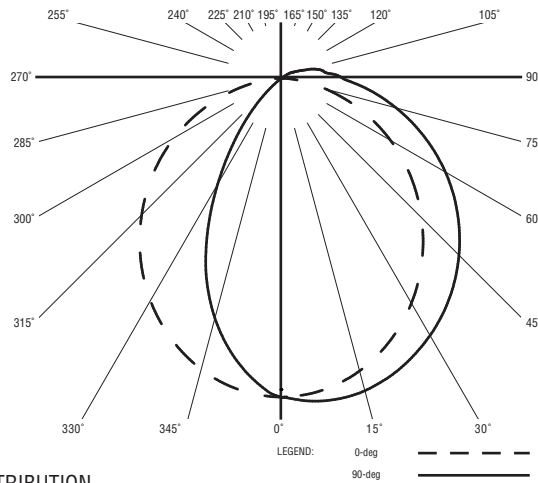
**Luminaire Description:** Extruded Aluminum Housing with White Aluminum Reflector, no Optic, and LOH Acrylic Lens.

**LED Module:** Multiple White Low-Power Light Emitting Diodes (LEDs) in a precise layout.

Total Luminaire Efficacy = 104.7 Lm/W

4% Up 96% Down

Color Rendering Index (CRI) = 83



#### ZONAL LUMEN SUMMARY

Zone	Lumens	%Fixture
0- 30	856	29.3
0- 40	1343	46.0
0- 60	2199	75.2
0- 90	2815	96.3
90- 180	107	3.7
0- 180	2922	100.0

#### CANDELA DISTRIBUTION

	0.0	22.5	45.0	67.5	90.0
0	1182	1182	1182	1182	1182
5	1199	1202	1197	1177	1173
15	1197	1194	1179	1146	1121
25	1141	1131	1108	1065	1024
35	1051	1033	1002	948	892
45	929	907	874	805	734
55	783	759	722	649	562
65	618	595	552	483	377
75	447	425	375	304	191
85	287	269	220	140	40
90	227	210	159	81	0

## PS3-A-MO-K40-LOH

### Medium Output - Ambient Distribution

#### LED Optimized High Transmittance Lens

**Catalog Number:** PS3-A-MO-K40-80-4'-X-LOH-120

**Report Number:** #LLIA001084-002.ies

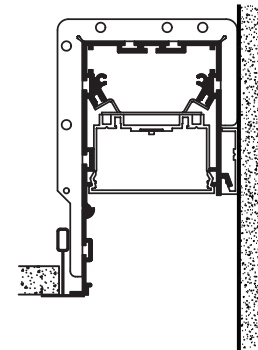
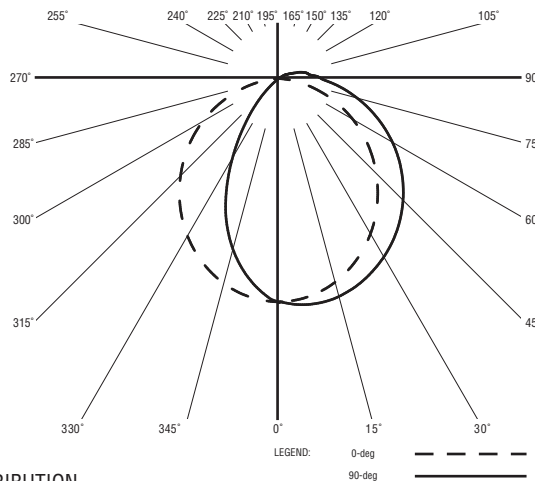
**Luminaire Description:** Extruded Aluminum Housing with White Aluminum Reflector, no Optic, and LOH Acrylic Lens.

**LED Module:** Multiple White Low-Power Light Emitting Diodes (LEDs) in a precise layout.

Total Luminaire Efficacy = 106.3 Lm/W

4% Up 96% Down

Color Rendering Index (CRI) = 83



#### ZONAL LUMEN SUMMARY

Zone	Lumens	%Fixture
0- 30	582	29.3
0- 40	914	46.0
0- 60	1496	75.2
0- 90	1915	96.3
90- 180	73	3.7
0- 180	1988	100.0

#### CANDELA DISTRIBUTION

	0.0	22.5	45.0	67.5	90.0
0	804	804	804	804	804
5	817	818	815	801	798
15	815	813	803	780	763
25	777	770	754	725	697
35	715	703	682	645	607
45	632	618	595	548	499
55	533	517	492	442	382
65	421	405	376	329	257
75	304	290	256	207	130
85	196	184	150	95	27
90	154	143	108	55	0

For more information, visit our website at [www.pal-lighting.com](http://www.pal-lighting.com)



Precision Architectural Lighting 4830 Timber Creek Drive Houston, Texas 77017  
Tel 713.946.4343 Fax 713.946.4441 [www.pal-lighting.com](http://www.pal-lighting.com)



Made in America