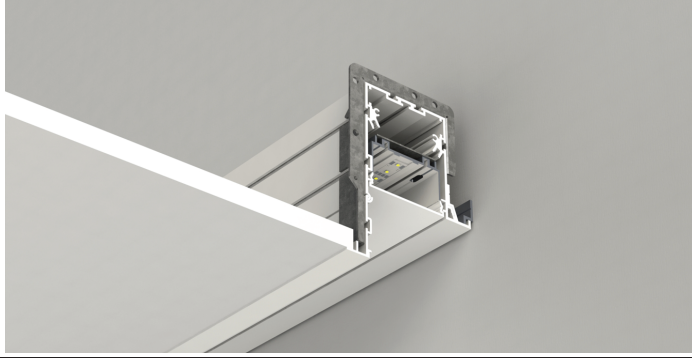


Perimeter System 3 - Wall Wash Light Distribution

(3 3/8" Luminous Aperture with 2 1/4" Regress)



Catalog Number	Type
Project Name	



1/2" or 5/8" Thick Drywall Ceilings - Overlap Flange

S P E C I F I C A T I O N S

Housing

Two-piece .070" thick extruded aluminum available in single sections up to 8' long. Standard finish for flange and wall rail is satin white.

Optical Controls

- (OP) Open
- (CL) Clear Lens
- (FL) Frosted Lens

Reflector/Heat Sink

.060" thick extruded aluminum finished with a high reflectance white enamel.

Wiring

All fixtures intended for continuous rows are provided with factory installed quick-connect wiring.

Controls

Contact factory for information on remote mounted occupancy sensor controls.

Driver (Standard)

Osram-Sylvania "Optotronic" power supply is UL/CUL recognized, 0-10V dimming available, 120-277 universal voltage. 347V is available. Optional drivers available - consult factory.

Telescoping Fixture

Innovative telescoping fixture includes an extruded aluminum housing that facilitates wall-to-wall installations. (Available with Ambient and Wall Wash distributions.)

Light Engine (Standard)

LED light source available for 3000K, 3500K, or 4000K CCT, in high and medium light outputs, and 80 or 90 CRI. Standard outputs at 80 CRI:

- HO** - High Output (Open)
*3131 Total Delivered Lms. at 28 System Watts
 - HO** - High Output (Frosted Lens)
*2554 Total Delivered Lms. at 28 System Watts
 - MO** - Medium Output (Open)
*2143 Total Delivered Lms. at 18 System Watts
 - MO** - Medium Output (Frosted Lens)
*1750 Total Delivered Lms. at 18 System Watts
- (*All values per 4' using 4000K LED modules)

Driver (Tunable White)

EldoLED power supply is UL recognized, DALI, 0-10V, or DMX available, 120-277 universal voltage.

Light Engine (Tunable White)

Tunable White LED light source available for 2700K thru 6500K CCT, and 80 or 90 CRI.

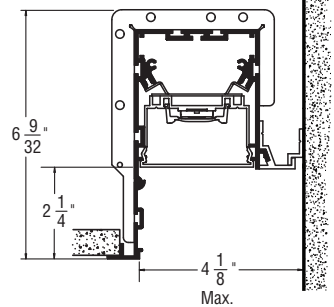
Circuitry

All fixtures are factory pre-wired for a single circuit. Provision for multiple switching/circuiting is optional.

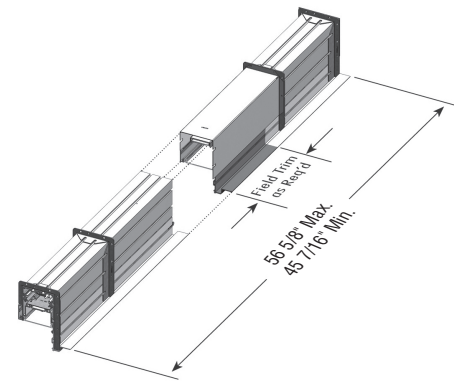
Certification

Fixtures are ETL listed for use in 'Dry or Damp Applications'. Conforms to UL Standard #1598 and CAN/CSA Standard #C22.2No.250.0. IC rated.

*Due to continued advancement in LED technology, lumen performance is subject to change. Please visit our website for the most up-to-date information.



PS3-WW-HO-OF
PS3-WW-MO-OF
Drywall Overlap Flange



Telescoping Lit Fixture

Facilitates exact continuous row dimensions, including wall-to-wall and pattern installations. Allows for an overall adjustment of 11 - 3/16". (*See OPTIONS below)

Sample Catalog Number: **PS3 - WW - HO - K40 - 80 - 4 - OF - TR - FL - 120 - DIM1 - OPTIONS**

	PS3	WW					OF	TR				DIM1	
PAL Perimeter System 3 (PS3)													
Distribution: Wall Wash													
Lumen Output/4':	HO - Hi Output (Open) = 3131 Total Lms. - 113 Lm/W												
(Using 4000K)	HO - Hi Output (Frost Lens) = 2554 Total Lms. - 92 Lm/W												
	MO - Med. Output (Open) = 2143 Total Lms. - 116 Lm/W												
	MO - Med. Output (Frost Lens) = 1750 Total Lms. - 95 Lm/W												
	CO - Custom Output (Contact factory for available output range)												
CCT: K30 -3000K, K35 -3500K, K40 -4000K, TW -Tunable White (2700K - 6500K)													
CRI: 80 (Standard), 90 (Optional)													
Fixture Lengths: 2', 3', 4', 5', 6', 7' and 8' Standard													
Continuous rows longer than 8': Enter Length													
Row lengths can be specified to the nearest foot increment using standard length fixtures, or to exact dimensions with the addition of the Telescoping Lit Fixture. (*See "options" below)													
Ceiling Type: OF = Drywall Overlap Flange													
Mounting: TR = 1/4-20 Threaded Rod - (By Others) - (OF)													
Optical Control: OP = Open Aperture CL = Clear Lens FL = Frosted Lens													
Voltage: 120V , 277V , 347V or UNV (Universal Voltage)													
Dimming: DIM1 = Standard Driver with Available Dimming - 100% to 1% DIM0 = Optional Driver with Available Dimming - 100% to 0% (Dark)													
Options: TEL = Telescoping Lit Fixture (Adjust. 45 7/16" Min. to 56 5/8" Max.) - *Used when exact dimension is required. NLCKT = Night-Light Circuit (Common Neutral)													
EMCKT = Emergency Circuit (Separate Hot & Neutral) FS = Fused Drivers GTD = Generator Transfer Device EBPHST = Self-Test Battery Pack (10 Watt) (*N/A for 2' or 3')													
CP = Chicago Plenum DALI = DALI Protocol Driver (Tunable White) DMX = DMX Protocol Driver (Tunable White) 0-10V/TW = 0-10V Driver (Tunable White)													



Recessed Perimeter - Wall Wash

PS3-WW-HO-K40-OP

High Output - Wall Wash Distribution

Open Fixture

Catalog Number: PS3-WW-HO-K40-80-4'-X-OP-120

Report Number: #LLIA000977-007.ies

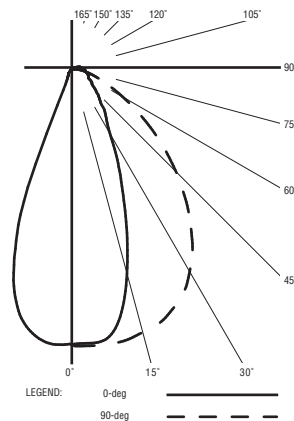
Luminaire Description: Extruded Aluminum Housing with White Aluminum Reflector, Acrylic WW Optic, and Open Aperture.

LED Module: Multiple White Low-Power Light Emitting Diodes (LEDs) in a precise layout.

Total Luminaire Efficacy = 112.6 Lm/W

2% Up 98% Down

Color Rendering Index (CRI) = 85



ZONAL LUMEN SUMMARY

Zone	Lumens	%Fixture
0- 30	1630	52.1
0- 40	2162	69.1
0- 60	2778	88.7
0- 90	3068	98.0
90- 180	63	2.0
0- 180	3131	100.0

CANDELA DISTRIBUTION

	0.0	22.5	45.0	67.5	90.0
0	2736	2736	2736	2736	2736
5	2724	2732	2737	2714	2752
15	2103	2192	2442	2622	2700
25	1114	1187	1529	2124	2517
35	589	602	818	1379	2065
45	367	381	469	775	1455
55	239	242	318	466	854
65	178	171	189	291	411
75	153	148	130	131	177
85	125	120	98	63	34
90	116	109	84	47	0

PS3-WW-HO-K40-FL

High Output - Wall Wash Distribution

Frosted Lens

Catalog Number: PS3-WW-HO-K40-80-4'-X-FL-120

Report Number: #LLIA000977-005.ies

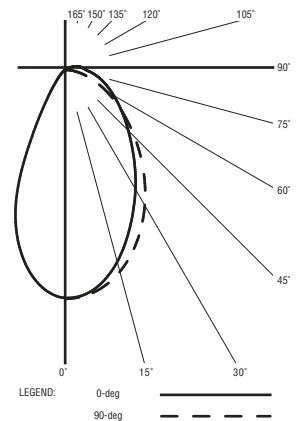
Luminaire Description: Extruded Aluminum Housing with White Aluminum Reflector, Acrylic WW Optic, and Frosted Lens.

LED Module: Multiple White Low-Power Light Emitting Diodes (LEDs) in a precise layout.

Total Luminaire Efficacy = 91.9 Lm/W

3% Up 97% Down

Color Rendering Index (CRI) = 85



ZONAL LUMEN SUMMARY

Zone	Lumens	%Fixture
0- 30	1016	39.8
0- 40	1460	57.2
0- 60	2093	81.9
0- 90	2479	97.1
90- 180	75	2.9
0- 180	2554	100.0

CANDELA DISTRIBUTION

	0.0	22.5	45.0	67.5	90.0
0	1583	1583	1583	1583	1583
5	1560	1568	1574	1560	1569
15	1380	1393	1422	1436	1449
25	1103	1117	1165	1209	1229
35	843	855	843	822	814
45	625	631	672	691	691
55	467	467	484	489	462
65	348	343	340	332	280
75	256	248	227	199	140
85	175	166	139	95	34
90	143	134	101	53	0

PS3-WW-MO-K40-OP

Medium Output - Wall Wash Distribution

Open Fixture

Catalog Number: PS3-WW-MO-K40-80-4'-X-OP-120

Report Number: #LLIA000977-008.ies

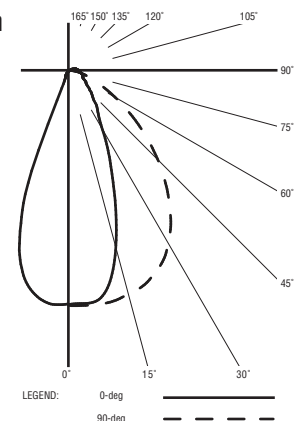
Luminaire Description: Extruded Aluminum Housing with White Aluminum Reflector, Acrylic WW Optic, and Open Aperture.

LED Module: Multiple White Low-Power Light Emitting Diodes (LEDs) in a precise layout.

Total Luminaire Efficacy = 115.8 Lm/W

2% Up 98% Down

Color Rendering Index (CRI) = 85



ZONAL LUMEN SUMMARY

Zone	Lumens	%Fixture
0- 30	1116	52.1
0- 40	1480	69.0
0- 60	1901	88.7
0- 90	2099	98.0
90- 180	44	2.0
0- 180	2143	100.0

CANDELA DISTRIBUTION

	0.0	22.5	45.0	67.5	90.0
0	1872	1872	1872	1872	1872
5	1864	1870	1874	1857	1883
15	1445	1507	1675	1794	1847
25	761	812	1049	1457	1721
35	400	410	559	946	1411
45	251	261	320	531	995
55	164	166	217	320	584
65	122	117	129	199	282
75	105	102	89	90	121
85	86	82	67	43	23
90	80	75	58	32	0

PS3-WW-MO-K40-FL

Medium Output - Wall Wash Distribution

Frosted Lens

Catalog Number: PS3-WW-MO-K40-80-4'-X-FL-120

Report Number: #LLIA000977-006.ies

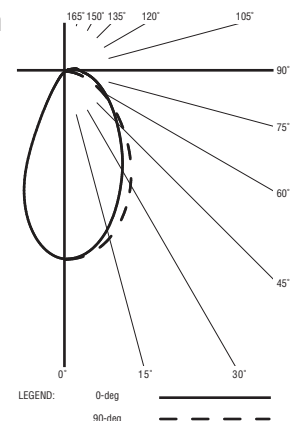
Luminaire Description: Extruded Aluminum Housing with White Aluminum Reflector, Acrylic WW Optic, and Frosted Lens.

LED Module: Multiple White Low-Power Light Emitting Diodes (LEDs) in a precise layout.

Total Luminaire Efficacy = 94.6 Lm/W

3% Up 97% Down

Color Rendering Index (CRI) = 86



ZONAL LUMEN SUMMARY

Zone	Lumens	%Fixture
0- 30	697	39.8
0- 40	1001	57.2
0- 60	1434	82.0
0- 90	1699	97.1
90- 180	51	2.9
0- 180	1750	100.0

CANDELA DISTRIBUTION

	0.0	22.5	45.0	67.5	90.0
0	1087	1087	1087	1087	1087
5	1071	1076	1080	1071	1078
15	946	956	976	985	995
25	775	765	799	829	844
35	577	586	614	646	659
45	427	432	460	473	474
55	319	320	331	335	316
65	238	235	233	227	191
75	175	170	155	136	95
85	120	114	95	65	23
90	98	92	69	36	0

For more information, visit our website at www.pal-lighting.com



Precision Architectural Lighting 4830 Timber Creek Drive Houston, Texas 77017
Tel 713.946.4343 Fax 713.946.4441 www.pal-lighting.com



Made in America