

# Perimeter System 3 Lit Corners - Wall Wash or Ambient Light Distributions

Catalog Number	Type
Project Name	

## Lighted Horizontal 90 Degree Corner - Grid Ceilings

### S P E C I F I C A T I O N S

#### Housing

Two-piece .070" thick extruded aluminum, mitered and secured together to form a nominal 2' X 2' continuously lit 90° corner.

#### Optical Controls

(Lenses mitered to provide a continuous transition through the corner.)

- (OP) Open (Wall Wash)
- (CL) Clear Lens (Wall Wash)
- (FL) Frosted Lens (Wall Wash)
- (LOH) LED optimized high transmittance acrylic snap-in lens (Ambient)

#### Reflector/Heat Sink

.060" thick extruded aluminum finished with a high reflectance white enamel.

#### Circuitry

All corner assemblies are factory pre-wired for a single circuit.

#### Wiring

All corner assemblies are provided with factory installed quick-connect wiring.

#### Driver

Osram-Sylvania "Optotronic" power supply is UL/CUL recognized, 0-10V dimming available, 120-277 universal voltage. 347V is available. Optional drivers available - consult factory.

#### Light Engine

LED light source available standard for 3000K, 3500K and 4000K CCT, in high and medium light outputs, and 80 or 90 CRI. Standard outputs available:

- HO** - High Output
- MO** - Medium Output
- CO** - Custom Output

(See fixture specification sheet for Delivered Lumens, Power Consumption (Watts), and Efficacies (Lm/W).

\*Due to continued advancement in LED technology, lumen performance is subject to change. Please visit our website for the most up-to-date information.

#### Certification

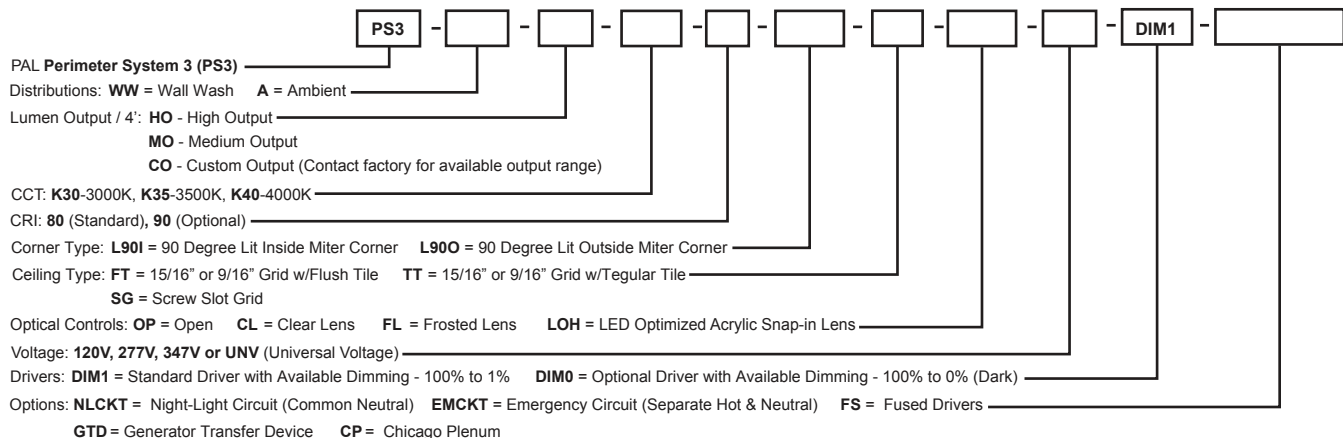
All corner assemblies are ETL listed for use in 'Dry or Damp' Locations. IC rated. Conforms to UL #1598 and to CAN/CSA #C22.2No.250.0.



Horizontal extruded aluminum 90° corners are available for use when fixture patterns are desired. PS3 corners are available in nominal 2' X 2' long continuously lit configurations.

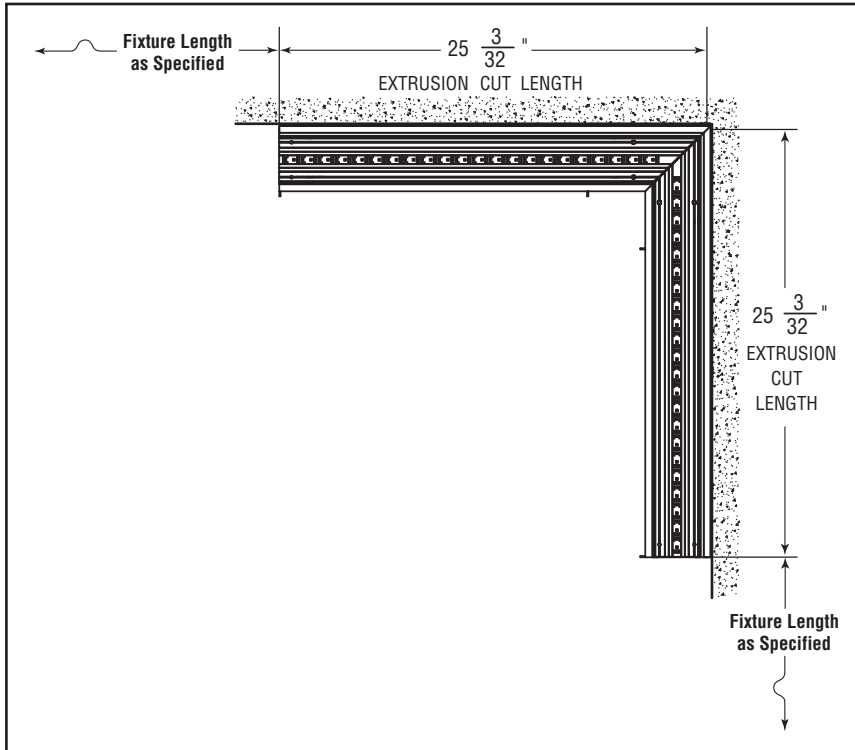
See reverse for dimensions.

Sample Catalog Number: **PS3 - WW - HO - K40 - 80 - L90I - FT - LOH - 120 - DIM1 - OPTIONS**



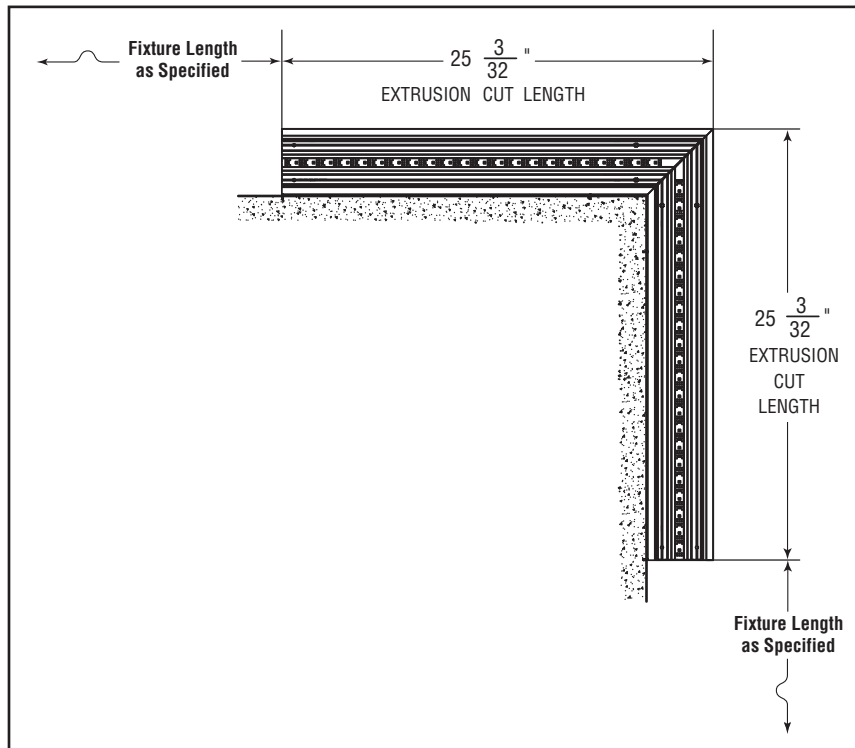
# Perimeter System 3 - Grid Ceilings

## Lighted Horizontal Corner - Inside Miter



Lighted Inside Miter Horizontal Corner  
Medium or High Output LED (Contact Factory for Custom Outputs)

## Lighted Horizontal Corner - Outside Miter



Lighted Outside Miter Horizontal Corner  
Medium or High Output LED (Contact Factory for Custom Outputs)

Consult Factory for exact luminaire placement.

