

# SLIM

HEALTHCARE GRADE FULLY SEALED LAMP SHADE, ULTRA LOW PROJECTION LED WALL SCONCE

# alva



<b>APPLICATIONS</b>	<ul style="list-style-type: none"><li>• Healthcare, Corporate, Retail, High-Rises, Hospitality</li></ul>
<b>SIZES</b>	<ul style="list-style-type: none"><li>• 16" L x 8.5" W x 1.75" D</li><li>• 32" L x 8.5" W x 1.75" D</li></ul>
<b>WEIGHT</b>	<ul style="list-style-type: none"><li>• 16" - 5 lbs</li><li>• 32" - 10 lbs</li></ul>
<b>MOUNTING</b>	<ul style="list-style-type: none"><li>• J-Box 3.0 or 4.0 at center or end of fixture</li><li>• Can be mounted horizontally or vertically</li></ul>
<b>TWO DIMMING METHODS INCLUDED</b>	<ul style="list-style-type: none"><li>• LUMENSELECT® 4-level light output dial (100%, 75%, 50%, 25%)</li><li>• 0-10V Dimming (100-10%)</li></ul>
<b>SPECIFICATIONS</b>	<ul style="list-style-type: none"><li>• High efficiency, fully integrated proprietary LED Module</li><li>• Title 24 JA8 Certified</li><li>• ADA Compliant</li><li>• IK10 UL Certified (protected against 20 joules of impact)</li><li>• Healthcare Grade, fully sealed lamp shade</li><li>• Color Temperature Select (CCT), Integrated four CCT select (2700K, 3000K, 3500K, 4000K). OPTIONAL (specify)</li><li>• Vandal Resistant</li><li>• 1.75" projection</li><li>• ETL Dry Listed</li><li>• 120-277V Input</li><li>• L90 - 100,000+ hours. 10 years / 24/7</li><li>• 10 Year Limited Warranty</li></ul>
<b>LAMPING</b>	<ul style="list-style-type: none"><li>• 2700K, 3000K, 3500K, 4000K CCT</li><li>• 90 CRI (minimum)</li><li>• 16": 532 delivered lumens</li><li>• 32": 1064 delivered lumens</li></ul>
<b>CONSTRUCTION</b>	<ul style="list-style-type: none"><li>• Shade: Durable ARCHITECTURAL RESIN by ALVA</li><li>• Trim: Architectural grade metal finish. Optional Antimicrobial Finish (must specify)</li></ul>



# SLIM

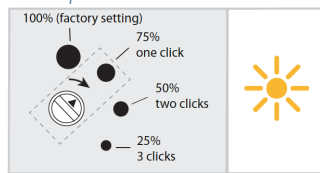
HEALTHCARE GRADE FULLY SEALED LAMP SHADE, ULTRA LOW PROJECTION LED WALL SCONCE

# alva

## LUMENSELECT™

LUMENSELECT™, a dimming control panel on all ALVA luminaires, allows you to customize light output to create the desired atmosphere and to limit the consumption of electricity. The LUMENSELECT™ rotary switch should be turned gently clockwise with a small flathead screwdriver with a 1/8" or 3mm wide tip, one click at a time from factory setting to get desired output level.

LUMENSELECT™ control panel on the end cap of ALVA luminaires:



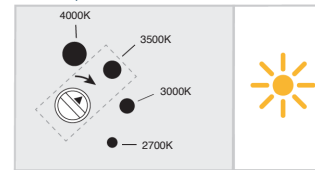
### Setting LUMENSELECT™ Levels

ALVA luminaires come factory set at 100% light output. You may choose from four output settings, typically performed at the time of installation:

- 100% light output & energy consumption
- 75% light output & energy consumption
- 50% light output & energy consumption
- 25% light output & energy consumption

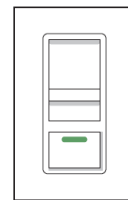
## CCTSELECT

CCTSELECT control panel on the end cap of ALVA luminaires:



### Setting CCTSELECT Levels

ALVA luminaires come set at your call out in your order. If CCT is not indicated, your module will be set at 3000K by default.



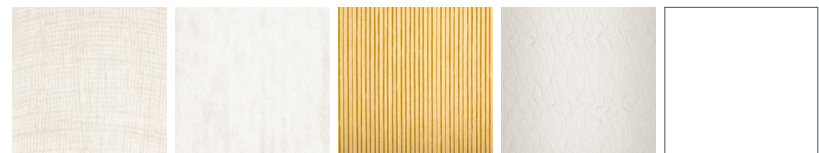
### Remote Dimming Option, 0 - 10V (100 - 10%)

0-10V dimming may be used with compatible dimmer controls

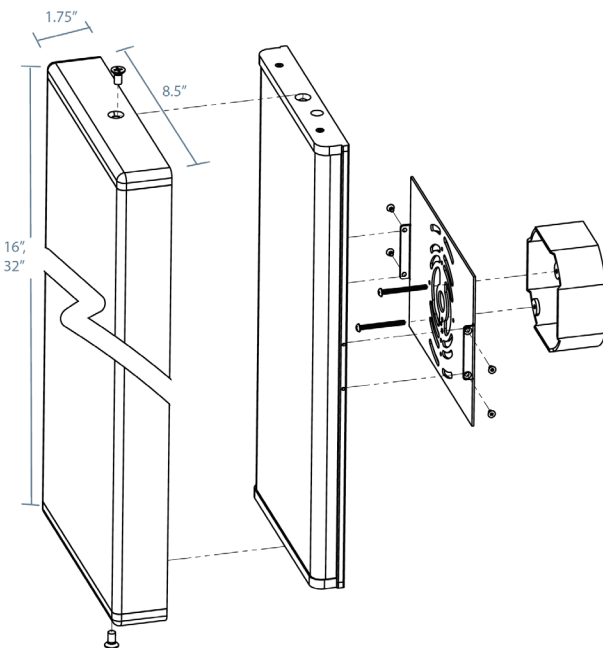
Please refer to [ALVALIGHT.COM](http://ALVALIGHT.COM) for a listing of compatible dimmers

## Resin Shade Options

Vandal resistant, architectural resin by ALVA®



## Metal Powder Coat Trim Options



## ORDER CODE:

MODEL	LENGTH	SHADE MATERIAL	SHADE PATTERN	METAL TRIM	CCT	ANTIMICROBIAL FINISH
SLIM	16 16" 32 32"	R Resin	B Burano GS Gold Shimmer IB Island Breeze A Autumn CY Cayenne LC Linear Cross R Rain FA Faux Alabaster W White Resin	POWDER COAT FINISH OPTIONS ESN Enviro Satin Nickel EOB Enviro Oil-Rubbed Bronze WHT White	2700 2700K 3000 3000K 3500 3500K 4000 4000K CS CCT Select Option	AM Antimicrobial Finish