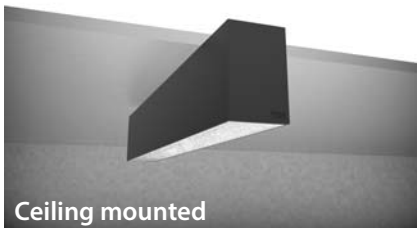
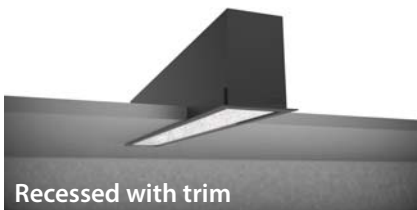


L6 LIGHTWAY - LINEAR LENSES

Product Code													
L6	I			00				40			I		
Series	Environment	Mounting	Optic	Beam	CCT	Output	Control Gear	IP	Emergency	Body finish	Layout	Length	Wiring
L6	I	SM WD WI RW RT PD	AO AD AL GL WL BT	00	827 830 840 927 930 8WD 9TW	L2 L3 L4 L5 T1 T2 T3	P Q R S T	40	N	BS BT WS WT GS XX	I	12 24 36 48 60 C00	I B M E

The U060 Lightway opal diffuser offers powerful lighting and excellent light transmission with high diffusion and homogeneity. The diamond-like prism structure lens provides a high efficiency solution for ambient lighting with great glare reduction and superior vertical/horizontal illumination. The asymmetrical linear lens provides an exceptional homogeneous distribution of light over vertical surfaces. It scores a very high output, making it ideal for high ceiling lighting applications. The elliptical narrow lens is powerful yet efficient- provides homogeneous vertical surface grazing and works perfectly on high vertical surfaces for indoor and outdoor applications.



Mounting

- SM:** Ceiling mounted
- WD:** Wall mounted (Direct)
- WI:** Wall mounted (Indirect)
- RW:** Recessed with trim
- RT:** Recessed trimless
- PD:** Pendant

Optic

- AO:** Opal
- AD:** Diamond prism
- WL:** Asymmetric lens
- GL:** Elliptical narrow
- BT:** Batwing Distribution

Beam

- 00:** N/A

CCT

- 827:** 2700K, CRI +80
- 830:** 3000K, CRI +80
- 835:** 3500K, CRI +80
- 840:** 4000K, CRI +80
- 927:** 2700K, CRI +90
- 930:** 3000K, CRI +90
- 9TW:** 2,200K - 5000K
- 8WD:** 1800K - 2780K

Output (initial lumen)

Refer to page 2 for the exact delivered lumen of each optic

ELLIPTICAL NARROW

- L2:** 5W/ft, 550 lm/ft
- L3:** 7W/ft, 750 lm/ft
- L4:** 9W/ft, 1085 lm/ft
- L5:** 13W/ft, 1510 lm/ft
- T1:** 3W/ft, 320 lm/ft
- T2:** 5W/ft, 510 lm/ft
- T3:** 7W/ft, 730 lm/ft

Control gear

- P:** NON DIM / ECG
- Q:** 0 TO 10 DIM
- R:** *DALI
- S:** *2 Wires Phase Dimming
- T:** *DMX

*This driver option is only available integral for fixtures 24" and longer

IP

- 40:** IP40

Emergency

- N:** No emergency

Body finish

- BS:** Black Smooth
- BT:** Black Textured
- WS:** White Smooth
- WT:** White Textured
- GS:** Grey Smooth
- XX:** Custom RAL

Layout

- I:** I shape

Length

- 12:** 12"
- 24:** 23³/₄"
- 36:** 35"
- 48:** 46¹/₂"
- 60:** 58¹/₈"

C00: Custom

For custom length, please note length in Inches

*These are rounded values, please refer to installation manual for exact dimensions.

Wiring

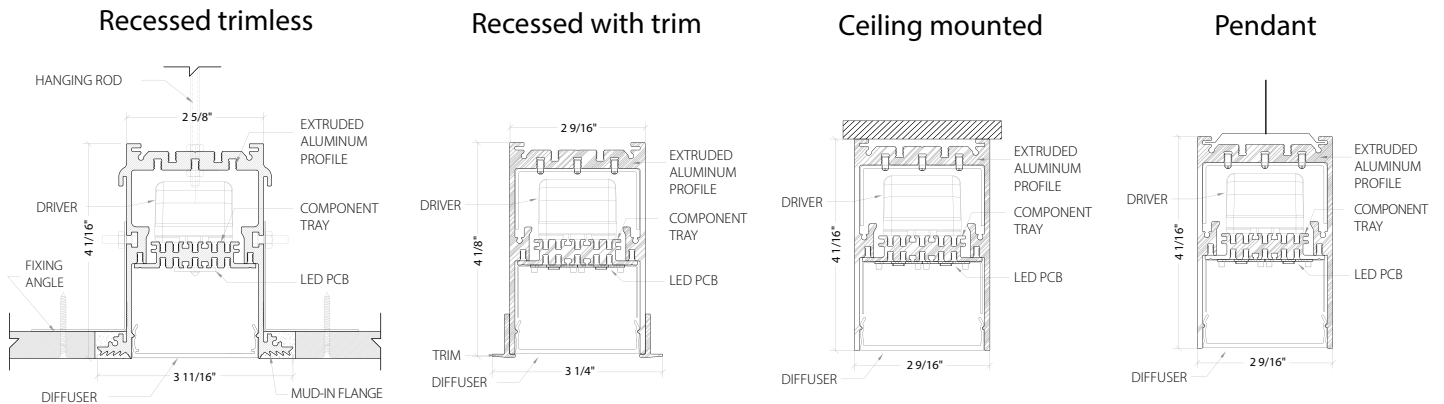
- I:** Individual
- B:** Beginning
- M:** Middle
- E:** End

We reserve the right to make technical changes without prior notice.

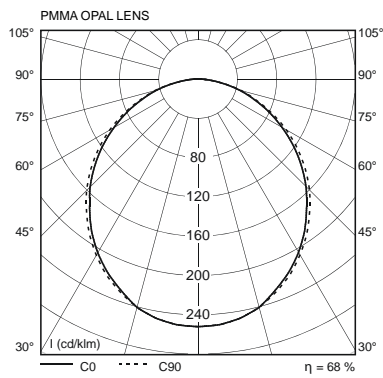
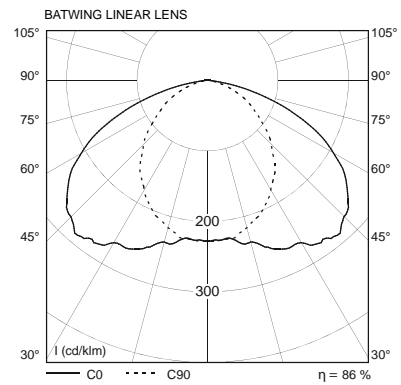
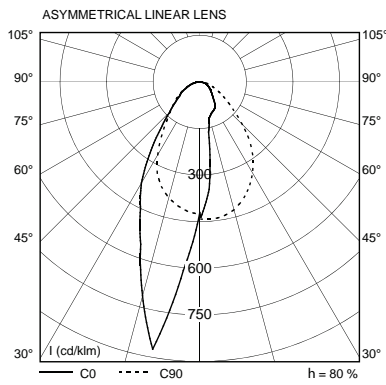
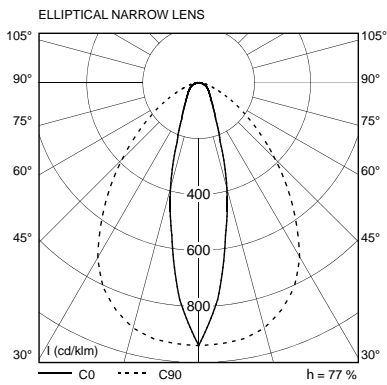
L6 LIGHTWAY - LINEAR LENSES



2D DIMENSIONAL DIAGRAMS



PHOTOMETRIC DATA



Lumen output

CCT	Output		OPAL	DIAMOND PRISM	ELLIPTICAL NARROW	ASYMMETRIC
	Level	Wattage				
2,700	L2	5 W/ft	475 Lm/ft	490 Lm/ft	520 Lm/ft	520 Lm/ft
	L3	7 W/ft	660 Lm/ft	660 Lm/ft	720 Lm/ft	700 Lm/ft
	L4	9 W/ft	950 Lm/ft	950 Lm/ft	1025 Lm/ft	1000 Lm/ft
	L5	13 W/ft	1300 Lm/ft	1330 Lm/ft	1450 Lm/ft	1400 Lm/ft
3,000	L2	5 W/ft	505 Lm/ft	510 Lm/ft	550 Lm/ft	540 Lm/ft
	L3	7 W/ft	705 Lm/ft	690 Lm/ft	750 Lm/ft	750 Lm/ft
	L4	9 W/ft	1000 Lm/ft	975 Lm/ft	1085 Lm/ft	1075 Lm/ft
	L5	13 W/ft	1410 Lm/ft	1375 Lm/ft	1510 Lm/ft	1500 Lm/ft
4,000	L2	5 W/ft	520 Lm/ft	520 Lm/ft	575 Lm/ft	575 Lm/ft
	L3	7 W/ft	705 Lm/ft	725 Lm/ft	780 Lm/ft	775 Lm/ft
	L4	9 W/ft	1010 Lm/ft	1050 Lm/ft	1115 Lm/ft	1100 Lm/ft
	L5	13 W/ft	1425 Lm/ft	1450 Lm/ft	1560 Lm/ft	1550 Lm/ft

ELECTRICAL

NON DIM / ECG



1 To 10V DIM / DALI DIM



We reserve the right to make technical changes without prior notice.

