

U50 OUTDOOR REMOTE - WITH BAFFLES

| Product Code | | | | | | | | | | | | |
|--------------|--|-------------------------------------|------------------------|--|-------------------------------------|--|-----------|--|-----------|----------|---|------------------------|
| Series | Mounting | Optic | Beam | CCT | Output | Control Gear | IP | Body finish | Emergency | Layout | Length | Wiring |
| U5R | | | | | | | 66 | | | I | | |
| U5R | SA SS WA WS | GB GG GW | 16 30 | 827 830 840 927 930 | P1 P2 P3 | A B B0 D F FL | 66 | BS WS GS CX | N | I | 12 24 36 48 59 C00 | T1 T2 |



The U50 Outdoor baffled Grazer (available in black, white or grey) is optically engineered to offer best-in-class grazing capabilities. The luminaire was designed as a tool for designers to emphasize rough-textured surfaces up to 30ft. (10m) high. The specially-designed Anti-glare optics control glare, exceptionally, from both the longitudinal and transversal sides of the profile, achieving a powerful effect. Ideal for surfaces of great height, for Outdoor Facade applications, or heritage and brick architecture. The grazing effect starts from the Zero point of the wall.

Mounting

- SA:** Adjustable arm (Bottom)
- SS:** Swivel (Bottom)
- WA:** Adjustable arm (Side)
- WS:** Swivel (Side)

Optic

- GB:** Black Grazing Baffles
- GW:** White Grazing Baffles
- GG:** Grey Grazing Baffles

Beam

- 16:** 16°
- 30:** 30°

CCT

- 827:** 2700K, CRI +80
- 830:** 3000K, CRI +80
- 835:** 3500K, CRI +80
- 840:** 4000K, CRI +80
- 927:** 2700K, CRI +90
- 930:** 3000K, CRI +90

Output (Delivered, 3,000K CRI +80)

- P1:** 6W/ft, 300 lm / ft.
- P2:** 9W/ft, 400 lm / ft.
- P3:** 13W/ft, 520 lm / ft.

Control gear

- A:** NON DIM / ECG
- B:** 0-10 DIM
- B0:** 0-10 TO 0.1% eldoLED
- D:** DALI
- F:** 2 Wires Phase Dimming
- FL:** Phase Dim_LUTRON

IP

- 66:** IP66

Body finish

- BS:** Black Smooth
- WS:** White Smooth
- GS:** Grey Smooth
- CX:** Custom RAL Color

Emergency

- N:** No emergency

Layout

- I:** I shape

Length *

- 12:** 12^{3/4}"
- 24:** 24^{1/4}"
- 36:** 35^{3/4}"
- 48:** 47^{1/2}"
- 59:** 59^{1/16}"

C00: Custom
For custom length, please note length in Inches

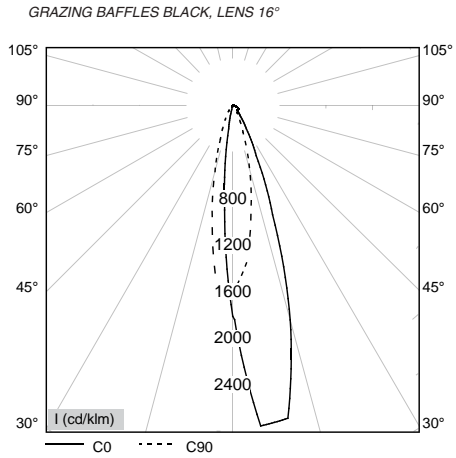
**These are rounded values, please refer to installation manual for exact dimensions.*

Wiring

- T1:** Stand Alone
- T2:** Through Wiring



Photometric Data:

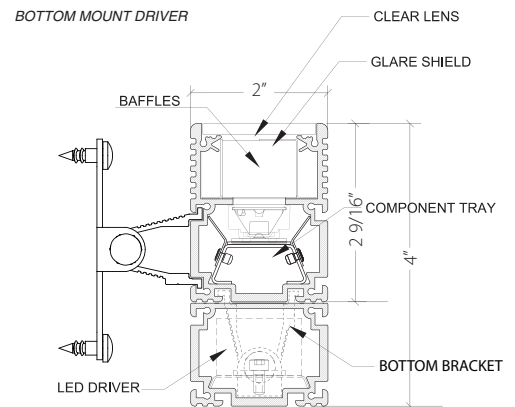
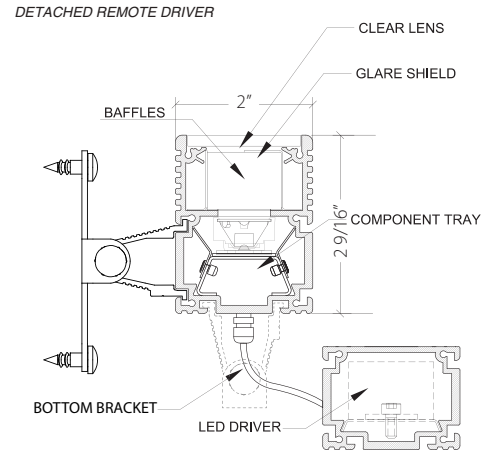


Mounting ratio:

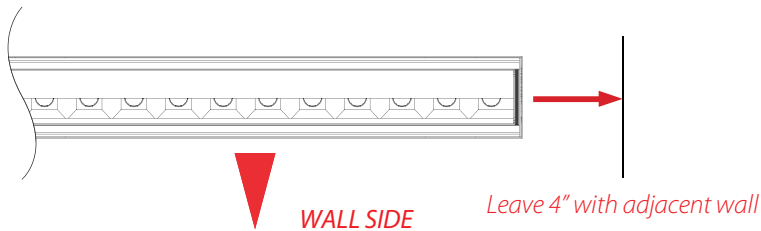


Setback from the wall is defined by wall texture and height. Consult factory for optimal setback according to your project conditions.

Sections:



TOP VIEW

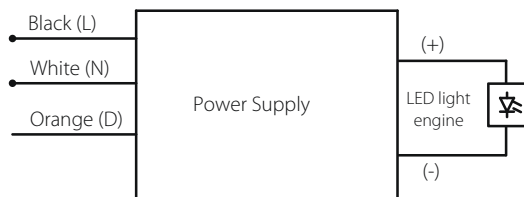


Output Values:

| | | CRI 80 | | | |
|----|---------|-----------|-----------|-----------|-----------|
| | | 2700K | 3000K | 3500K | 4000 K |
| P1 | 6 W/ft | 273 Lm/ft | 289 Lm/ft | 305 Lm/ft | 321 Lm/ft |
| P2 | 9 W/ft | 369 Lm/ft | 385 Lm/ft | 417 Lm/ft | 449 Lm/ft |
| P3 | 13 W/ft | 481 Lm/ft | 513 Lm/ft | 545 Lm/ft | 593 Lm/ft |

Electrical: 120 - 277 V ; 50 - 60 Hz

Phase DIM



1 To 10V DIM / DALI DIM

