

# LUXTRAN™

## DLD1220 SERIES

### PRODUCT FEATURES:

- » Marine-grade aluminum housing construction
- » Stainless steel latches for tool-less access to electrical compartment
- » Mounting arms allow angular adjustment for precise aiming of optical distribution



### PROJECT INFORMATION

Job Name \_\_\_\_\_

Fixture Type \_\_\_\_\_

Catalog Number \_\_\_\_\_

Approved by \_\_\_\_\_

### SPECIFICATIONS:

**HOUSING/DOOR:** Marine-grade, die-cast aluminum construction. Light grey TGIC polyester powder coat finish with five-step pre-treatment to withstand 1,000 hour salt spray test per ASTM B117. Stainless steel safety cables attach to chassis. Four (4) rotary latches constructed of 304 grade stainless steel.

**GASKETING:** One-piece closed-cell silicone.

**OPTICAL:** Type II, Type V-Narrow Round and Type V Square optical distributions. 0.187" clear tempered glass or polycarbonate tertiary lens.

**ELECTRICAL:** Serviceable LED module array. See Ordering Information for available color temperatures and minimum CRI offering. Maximum 5-step MacAdam variation allowance. Constant-current dimming driver. <20%THD, >0.90PF. **DV Voltage Type:** 120-277VAC, 50/60Hz input. 0-10V dimming protocol with 3-100% range and dim-to-dark capabilities, 250µA source current. Optional DALI control with 1-100% capability. EMC compliant with FCC 47 CFR Part 15, Class A. **CV Voltage Type:** 277-480VAC, 50/60Hz input. 0-10V dimming protocol with 6-100% range with dim-to-dark capabilities at 0V. 100µA typ. source current. EMC compliant with FCC 47 CFR Part 15, Class B. **All:** Replaceable surge suppressor rated to 20kA/kV per IEEE/ANSI C62.41 Cat. A. Passes IEC 61000-4-4 EFT and IEC 61000-4-5 (Class 4) surge evaluation.

**INSTALLATION:** Wall or ceiling orientation. Mounting hardware provided by others. Conduit entry on side of luminaire through 3/4" NPT threaded hole. Optional non-threaded entry for 3/4" conduit at back of luminaire housing. Optional ANSI photocell receptacle requires attached device (by others) at time of installation for proper ingress-protection. Suitable for installation into -40°C to 40°C ambient temperatures.

**PHOTOMETRICS:** Photometry tested to the IESNA LM-79-08 standard by an ILAC/ISO17025 accredited laboratory. For photometric data, please go to [www.kenall.com](http://www.kenall.com)

**WARRANTY:** Limited five (5) year warranty.

**LISTINGS:** Luminaire is certified to UL Standards by Intertek Testing Laboratory for Wet Location. IP66 rating per IEC 60598. Luminaire is 3G vibration tested per ANSI C136.31.



### ORDERING INFORMATION (Ex: DLD1220-MB6-2-8-47L-30K8-DCC-DV)

Model	Mounting Arm	Distribution	Lens Type	Lamp Power	Lamp Color	Driver Type	Voltage	Options
<b>DLD1220</b>								
<b>Mounting Arm Length</b>			<b>Lamp Color</b>			<b>Voltage</b>		
<b>MB6</b>	Mounting Brackets for 6" Nominal Overall Depth (10° Adjustable)		<b>30K8</b>	3000K / 80 CRI min.		<b>DV</b>	120-277 VAC Nominal Range	
<b>MB12</b>	Mounting Brackets for 12" Nominal Overall Depth (180° Adjustable)		<b>35K8</b>	3500K / 80 CRI min.		<b>CV</b>	277-480 VAC Nominal Range	
<b>Distribution Type</b>			<b>Driver Type</b>			<b>Options</b>		
<b>2</b>	Type II		<b>DCC</b>	0-10V Dimming		<b>LEL</b>	7.5W Integrated Emergency Battery Backup (0°C min ambient; n/a CV input selection)	
<b>5C</b>	Type V – Narrow Round		<b>DALI*</b>	DALI Dimming		<b>CC</b>	3/4" Conduit Connection	
<b>5S</b>	Type V – Square					<b>FS1</b>	Single Fuse and Holder (600V, Dual Element/Time-Delay Standard)	
<b>Lens Type</b>						<b>FS2</b>	Double Fuse and Holder (600V, Dual Element/Time-Delay Standard)	
<b>8</b>	.188" (.48 cm) Tempered Glass Lens					<b>RPCD</b>	ANSI 7-PIN Receptacle (n/a with MB6 Mounting)	
<b>7</b>	.187" (.47 cm) Clear Polycarbonate					<b>TB</b>	Wire Terminal Block	
<b>Lamp Power</b>						* n/a with CV Input Voltage and 94L Lamp Power		
<b>47L</b>	47 Watt LED							
<b>72L</b>	72 Watt LED							
<b>94L</b>	94 Watt LED							



www.kenall.com | P: 800-4-Kenall | F: 262-891-9701 | 10200 55th Street Kenosha, Wisconsin 53144, USA

This product complies with the Buy American Act: manufactured in the United States with more than 50% of the component cost of US origin. It may be covered by patents found at [www.kenall.com/patents](http://www.kenall.com/patents). Content of specification sheets is subject to change; please consult [www.kenall.com](http://www.kenall.com) for current product details. ©2019 Kenall Mfg. Co.

A brand of Legrand

# LUXTRAN™

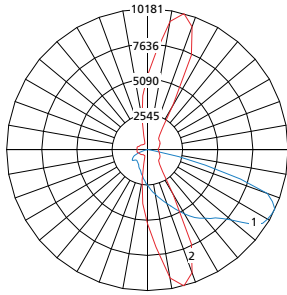
## DLD1220 SERIES

### PERFORMANCE

Lamp Code	Initial Delivered Flux (lm)			Efficacy (lm/W)	Input Power (W)	Estd. L70 LED Life (hrs)	Lumen Maintenance @ 50k Hrs
	Type 2	Type 5C	Type 5S				
47L-30K8	6,144	6,240	5,969	113 - 118	53	200,000	96%
47L-35K8	6,541	6,644	6,355	121 - 126	53	200,000	96%
47L-40K7	7,249	7,362	7,043	134 - 140	53	200,000	96%
47L-50K7	7,425	7,542	7,214	137 - 143	53	200,000	96%
72L-30K8	8,738	8,906	8,532	108 - 113	79	175,000	92%
72L-35K8	9,304	9,483	9,084	115 - 121	79	175,000	92%
72L-40K7	10,310	10,508	10,066	128 - 134	79	175,000	92%
72L-50K7	10,561	10,765	10,312	131 - 137	79	175,000	92%
94L-30K8	10,987	11,281	10,776	103 - 107	105	150,000	85%
94L-35K8	11,698	12,011	11,474	109 - 114	105	150,000	85%
94L-40K7	12,963	13,310	12,714	121 - 127	105	150,000	85%
94L-50K7	13,279	13,634	13,024	124 - 130	105	150,000	85%

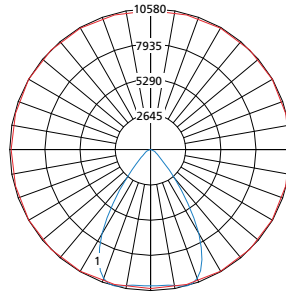
Information above was tested with an outer tempered glass lens. Subject to change without notice. Visit [www.kenall.com](http://www.kenall.com) for IES files and additional information.

Model: DLD1220-XXX-2-8-94L-40K7-DCC-DV



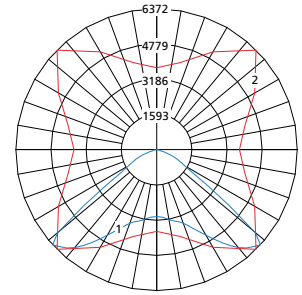
Max Candela = 10181 Located At Horizontal Angle = 75, Vertical Angle = 65  
 1 - Vertical Plane Through Horizontal Angles (75-255) (Through Max. Cd.)  
 2 - Horizontal Cone Through Vertical Angle (65) (Through Max. Cd.)

Model: DLD1220-XXX-5C-8-94L-40K7-DCC-DV



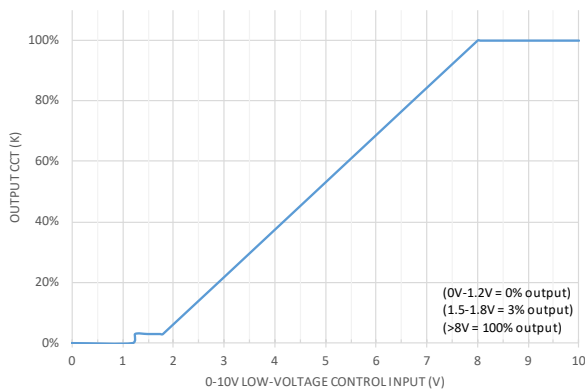
Max Candela = 10580 Located At Horizontal Angle = 45, Vertical Angle = 15  
 1 - Vertical Plane Through Horizontal Angles (45-225) (Through Max. Cd.)  
 2 - Horizontal Cone Through Vertical Angle (15) (Through Max. Cd.)

Model: DLD1220-XXX-5S-8-94L-40K7-DCC-DV

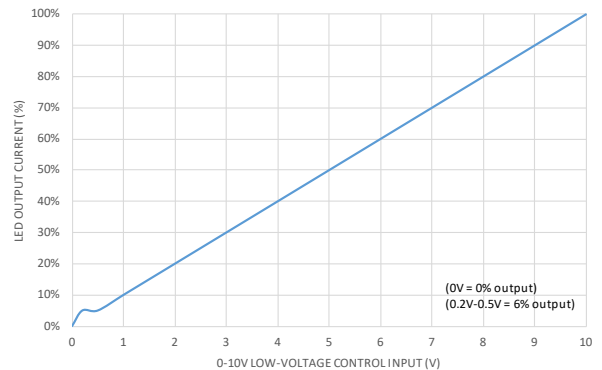


Max Candela = 6372 Located At Horizontal Angle = 45, Vertical Angle = 47.5  
 1 - Vertical Plane Through Horizontal Angles (45-225) (Through Max. Cd.)  
 2 - Horizontal Cone Through Vertical Angle (47.5) (Through Max. Cd.)

### DIMMING PROFILE (DV VOLTAGE)



### DIMMING PROFILE (CV VOLTAGE)



NOTE: 10V required from control system for 100% light output.



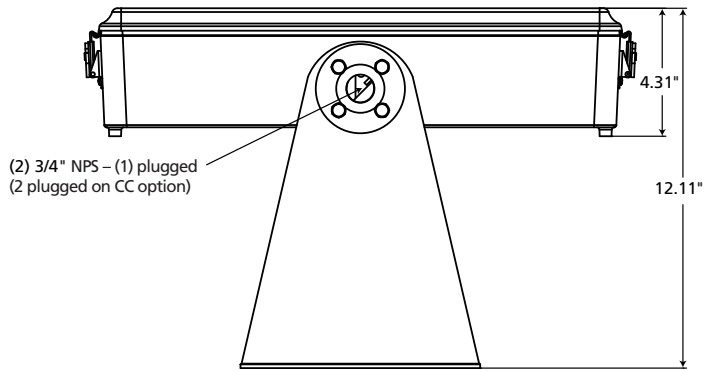
[www.kenall.com](http://www.kenall.com) | P: 800-4-Kenall | F: 262-891-9701 | 10200 55th Street Kenosha, Wisconsin 53144, USA

This product complies with the Buy American Act: manufactured in the United States with more than 50% of the component cost of US origin. It may be covered by patents found at [www.kenall.com/patents](http://www.kenall.com/patents). Content of specification sheets is subject to change; please consult [www.kenall.com](http://www.kenall.com) for current product details. ©2019 Kenall Mfg. Co.

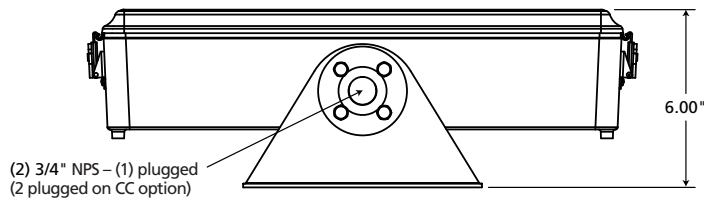
A brand of **legrand**

**LUXTRAN™**  
**DLD1220 SERIES**  
 DIMENSIONAL DATA

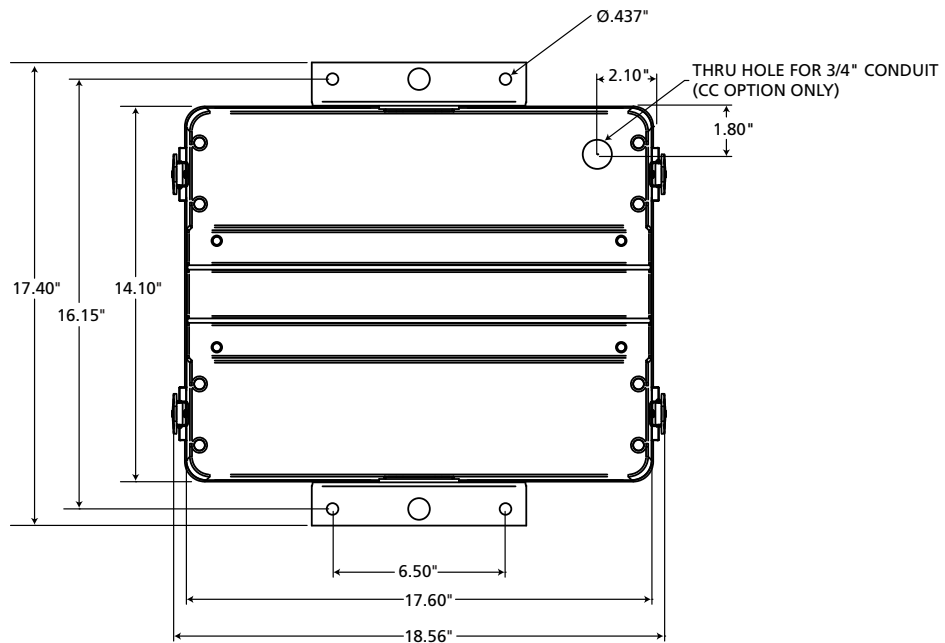
**MB12 MOUNTING ARM**



**MB6 MOUNTING ARM**



**TOP VIEW**



www.kenall.com | P: 800-4-Kenall | F: 262-891-9701 | 10200 55th Street Kenosha, Wisconsin 53144, USA

A brand of **legrand**

This product complies with the Buy American Act: manufactured in the United States with more than 50% of the component cost of US origin. It may be covered by patents found at [www.kenall.com/patents](http://www.kenall.com/patents). Content of specification sheets is subject to change; please consult [www.kenall.com](http://www.kenall.com) for current product details. ©2019 Kenall Mfg. Co.