

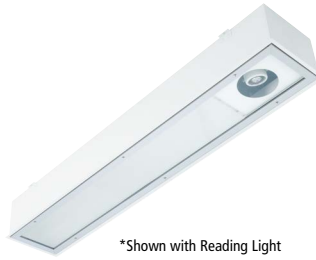
MEDMASTER™

Luminaires for Patient/Exam Rooms

MAEC SERIES

PRODUCT FEATURES:

- » Ceiling mount – 8" x 48"
- » Product must be specified and ordered in pairs
- » Indirect Ambient and Direct Exam functions
- » Adjustable MR16 Reading light
- » Ingress Barrier door provides consistent surface for ease of cleanability



PROJECT INFORMATION

Job Name _____

Fixture Type _____

Catalog Number _____

Approved by _____

SPECIFICATIONS

HOUSING: 20-gauge CRS; one-piece seam welded construction. 18-gauge housing flange with mitered and welded corners. White TGIC polyester powder coat – 5-stage pre-treatment. Salt spray test: 1,000 hours; Reflectance: 92%.

DOORFRAME: Heavy duty extruded marine grade aluminum with clear satin anodized finish. Doorframe supported to housing with aircraft cables (IB-AC) to provide NSF2 listing, or an optional continuous hinged doorframe (IB-HD). Select in ordering options below. Phillips-head stainless steel fasteners secure door to housing- six (6) with IB-AC and two (2) with IBHD. Closed cell silicone gasket seals the doorframe to housing. Lens sealed to extruded aluminum frame using a vinyl gasket.

OPTIC: Clear impact-resistant acrylic outer lens with inner high-efficiency diffuser. Exam function: direct 15° asymmetric linear overlay optic. Ambient function: Indirect high-efficiency TGIC painted white reflector. Optional reading light MR16 LED 20° beam with field aiming capability (90° rotation and 0-45° vertical).

LED MODULE: AMBIENT/EXAM: Serviceable mid-power LED array. See Ordering Information for CCT options. 3-step MacAdam variation allowance. 82 CRI minimum. READING: Single 6.5W MR16 LED lamp; 3000K CCT with 80 CRI minimum; non-dimming.

DRIVER: 120-277VAC or 347VAC, 50/60Hz electrical input (PF ≥ 0.9, THD < 20%). Minimum 85% electrical efficiency. Serviceable constant-current programmable driver. 0-10V dimming with 1-100% range and dim-to-dark capabilities (non dim-to-dark with 347V); 165µA max. source current per circuit. Specified-voltage required for optional Reading lamp. Optional LVCD controls low-voltage patient interface, controlling the ambient function independently with dimming control and the exam function independently without dimming. Optional secondary conduit entry available.

INSTALLATION: GRID MOUNT: Designed for 1" grid. Includes integral brackets for securing hanger wire. FLANGE MOUNT: Supplied with Drywall Frame Kit.

WARRANTY: Limited five (5) year warranty.

LISTINGS: Luminaire is certified to UL Standards by Intertek Testing Laboratory for Wet Locations and Non-IC installation. UL certified IP65 per IEC 60598. NSF2 Splash/Non-Food Zone (IB-AC only).



ORDERING INFORMATION (Ex: MAEC-48-G-38L/38L/6L-35K8-DIM1-277-IB-AC-RLRS-LVCD)

Model	Length	Mounting	Lamp Power	Lamp Color	Driver Type	Voltage	Doorframe Option	Reading Light Orientation	Options
MAEC	48				DIM1		IB-		
	Nominal Length 48 48"				Driver Type DIM1 0-10V Dimming to 1%			Reading Light Orientation* RLRS Reading Light, Right Side Mount RLLS Reading Light, Left Side Mount	
	Mounting Style G Grid (1") F Flange (with Drywall Frame Kit)				Voltage 120 120 Volts 277 277 Volts 347 347 Volts DV 120-277 Volts			Options LEL* 8.4W Emergency Battery Backup (wired to exam) AMF Antimicrobial Finish on exposed surfaces FS Fuse & Holder LVC Low Voltage Controller (Click here for specifications) LVCS Low Voltage Controller with Secondary Conduit Entry (Click here for specifications) LVCD Low Voltage Controller with Dimming (Click here for specifications) LVCDSD Low Voltage Controller with Dimming and Secondary Conduit Entry (Click here for specifications)	
	Lamp Power 40L/40L 40 Watt Ambient/40 Watt Exam (Two Function) 38L/38L/6L 38 Watt Ambient/38 Watt Exam/6 Watt Reading (Three Function)				Doorframe Option AC Ingress Barrier with Aircraft Cables HD Ingress Barrier with Continuous Piano Hinge (n/a with NSF2 listing)				
	Lamp Color (Ambient/Exam) 30K8 3000K/82CRI min 35K8 3500K/82CRI min 40K8 4000K/82CRI min 50K8 5000K/82CRI min								

* n/a with 347V
 ▲ Three-function configurations only. Luminaires with reading light option must be specified in pairs. Specify right and left side orientation, per application. Not available with DV Voltage option

ACCESSORIES ORDERED SEPARATELY

MPWS Low Voltage Wall Switch (Click [here](#) for Specifications)



www.kenall.com | P: 800-4-Kenall | F: 262-891-9701 | 10200 55th Street Kenosha, Wisconsin 53144, USA

This product complies with the Buy American Act: manufactured in the United States with more than 50% of the component cost of US origin. It may be covered by patents found at www.kenall.com/patents. Content of specification sheets is subject to change; please consult www.kenall.com for current product details. ©2019 Kenall Mfg. Co.

A brand of **legrand**

MEDMASTER™

Luminaires for Patient/Exam Rooms

MAEC SERIES

PERFORMANCE

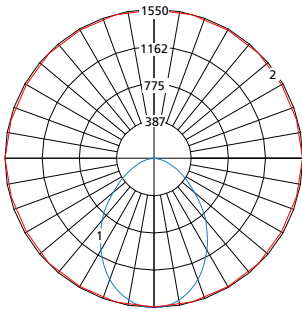
Model	Function	Lamp Power	Initial Delivered Lumens, by Lamp Color (lm)				Efficacy (lm/W)	Input Power (W)	Estd. L70 LED Life (hrs)
			30K8	35K8	40K8	50K8			
Two-Function	Ambient	40L	2,953	3,003	3,102	3,195	65 - 70	45	80,000
	Exam	40L	3,536	3,596	3,715	3,826	77 - 83	46	80,000
	Ambient + Exam	40L/40L	6,396	6,503	6,718	6,920	70 - 76	91	80,000
Three-Function	Ambient	38L	3,071	3,123	3,226	3,323	70 - 76	44	80,000
	Exam	38L	3,527	3,586	3,705	3,816	81 - 88	44	80,000
	Ambient + Exam	38L/38L	6,490	6,599	6,817	7,022	74 - 81	87	80,000
	Reading	6L	463				56	8	35,000

Photometry tested to the IESNA LM-79-08 standard by an ILAC/ISO17025 accredited laboratory. For photometric data, please go to www.kenall.com.

Model: MAEC-48-w-38L-38L-6L-40K8-DIM1-xxx-yy-zzz (Ambient)

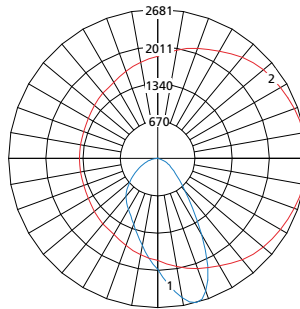
Model: MAEC-48-w-38L-38L-6L-40K8-DIM1-xxx-yy-zz-RLLS (Exam)

Model: MAEC-48-w-38L-38L-6L-40K8-DIM1-xxx-yy-zzz (Reading)



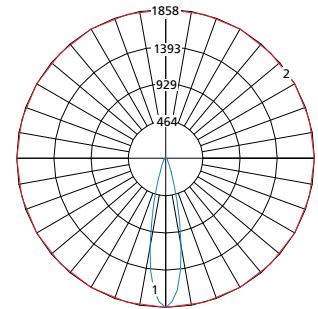
Maximum Candela = 1550 Located At Horizontal Angle = 0, Vertical Angle = 2.5

— 1 - Vertical Plane Through Horizontal Angles (0-180) (Through Max. Cd.)
 — 2 - Horizontal Cone Through Vertical Angle (2.5) (Through Max. Cd.)



Maximum Candela = 2681 Located At Horizontal Angle = 0, Vertical Angle = 15

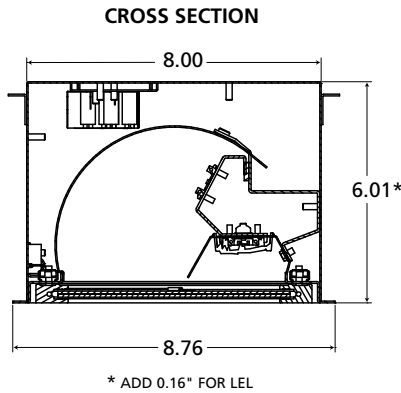
— 1 - Vertical Plane Through Horizontal Angles (0-180) (Through Max. Cd.)
 — 2 - Horizontal Cone Through Vertical Angle (15) (Through Max. Cd.)



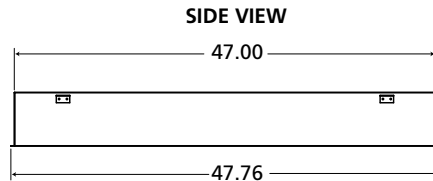
Maximum Candela = 1858 Located At Horizontal Angle = 0, Vertical Angle = 0

— 1 - Vertical Plane Through Horizontal Angles (0-180) (Through Max. Cd.)
 — 2 - Horizontal Cone Through Vertical Angle (0) (Through Max. Cd.)

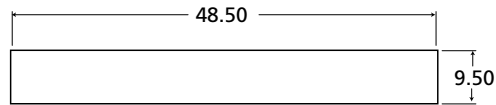
DIMENSIONAL DATA



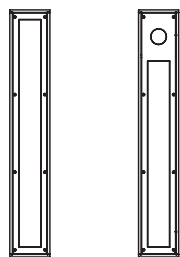
* ADD 0.16" FOR LEL



FLANGE MOUNT CEILING CUTOUT



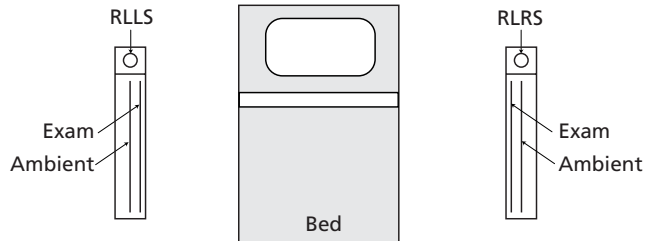
BOTTOM VIEW



Two Function

Three Function

READING AND EXAM LIGHT LAYOUT (Must be specified in pairs)



www.kenall.com | P: 800-4-Kenall | F: 262-891-9701 | 10200 55th Street Kenosha, Wisconsin 53144, USA

This product complies with the Buy American Act: manufactured in the United States with more than 50% of the component cost of US origin. It may be covered by patents found at www.kenall.com/patents. Content of specification sheets is subject to change; please consult www.kenall.com for current product details. ©2019 Kenall Mfg. Co.

A brand of **legrand**