

MEDMASTER™ TROFFER

MT SERIES using Indigo-Clean Technology

PRODUCT FEATURES:

- » Recessed mount – Flange or Grid; 2'x2', 2'x4'
- » Provides on-demand environmental disinfection via LED light
- » Single, white disinfection mode
- » Independent laboratory tested to kill harmful bacteria, including Staph*, such as MRSA**
- » NSF2 rating for ease of wipe-down cleaning



MT22

MT24

SPECIFICATIONS

HOUSING/REFLECTOR: Fabricated aluminum construction. Matte white powder coat finish with five-stage pre-treatment.

LENS: Extruded frosted acrylic.

ELECTRICAL: Single, white disinfection mode. Serviceable mid-power white and 405nm Indigo LED array. Available 3200K, 3700K and 4300K color temperature with 3-step MacAdam variation allowance. Minimum 82 CRI standard. 120-277VAC and 347VAC, 50/60Hz electrical input with serviceable high power factor electronic, constant-current drivers (<10% THD, >0.90 PF). Minimum 85% driver efficiency. Standard 0-10V dimming with 1-100% range and dim-to-dark capabilities. 400µA maximum source current.

INSTALLATION: Designed 1" T-grid and drywall ceilings. Drywall ceiling installation requires Drywall Frame Kit (FA) Accessory.

WARRANTY: Limited five (5) year warranty.

PHOTOMETRICS: Photometry tested to the IESNA LM-79-08 standard by an ILAC/ISO17025 accredited laboratory. For additional photometric data, please go to www.kenall.com.

LISTINGS: Luminaire is certified to UL Standards by Intertek Testing Laboratory for Damp Location and non-IC installations. NSF2 Splash/Non-Food Zone.

* Per independent lab report #5G5-09517036476. Contact Kenall for a copy of this report.

** Antimicrobial Activity of a Continuous Visible Light Disinfection System by Rutala, et. al, ID Week 2016.



ORDERING INFORMATION (Ex: MT24-72C37K-DIM1-DV)

Model	Lamp Type	Driver Type	Voltage	Options	Accessories
DIM1					
Model	Lamp Type		Voltage		
MT22 2'x2'	2x2		DV 120-277 Volts		
MT24 2'x4'	55C32K 55 Watt 3200K White & Indigo LED (82 CRI)		347 347 Volts		
	55C37K 55 Watt 3700K White & Indigo LED (82 CRI)			Options	
	55C43K 55 Watt 4300K White & Indigo LED (82 CRI)			LEL* Integral Battery Backup (min. 32°F/0°C ambient)	
				FS Fuse & Holder	
	2x4			Accessories	
	55C32K 55 Watt 3200K White & Indigo LED (82 CRI)			FA Drywall Frame Kit	
	55C37K 55 Watt 3700K White & Indigo LED (82 CRI)				
	55C43K 55 Watt 4300K White & Indigo LED (82 CRI)				
	72C32K 82 Watt 3200K White & Indigo LED (82 CRI)				
	72C37K 82 Watt 3700K White & Indigo LED (82 CRI)				
	72C43K 82 Watt 4300K White & Indigo LED (82 CRI)				
	90C32K 90 Watt 3200K White & Indigo LED (82 CRI)				
	90C37K 90 Watt 3700K White & Indigo LED (82 CRI)				
	90C43K 90 Watt 4300K White & Indigo LED (82 CRI)				
	Driver Type				
	DIM1 0-10V Dimming to 1%				

* Height of fixture is 6.75" with LEL option

Click [HERE](#) for MT-ICT
'Fast Track' Ordering Options
Ships in 5 days



www.kenall.com P: 800-4-Kenall F: 262-891-9701 10200 55th Street Kenosha, Wisconsin 53144

A brand of Legrand

This product may be covered by patents found at www.kenall.com/patents. Content of specification sheets is subject to change; please consult www.kenall.com for current product details.
© 2018 Kenall Mfg. Co. All rights reserved.

MEDMASTER™ TROFFER

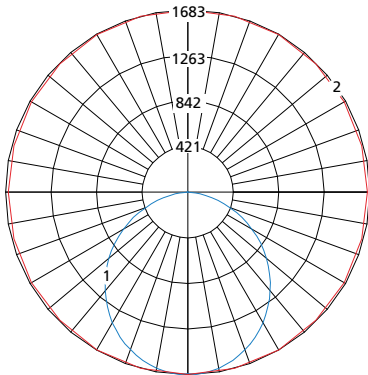
MT SERIES using Indigo-Clean Technology

PERFORMANCE

Model	Lamp Type	Initial Delivered Lumens		Input Power (W)	Drive Current (mA)	Estd. L70 LED Life (Hrs)
		@ 25°C (lm)	Efficacy (lm/W)			
MT22	55C32K	5,019	82	61	125	80,000
	55C37K	5,149	84	61	125	80,000
	55C43K	5,202	85	61	125	80,000
MT24	55C32K	5,437	88	62	125	80,000
	55C37K	5,578	90	62	125	80,000
	55C43K	5,635	91	62	125	80,000
	72C32K	6,818	90	76	80	80,000
	72C37K	6,995	92	76	80	80,000
	72C43K	7,066	93	76	80	80,000
	90C32K	8,284	86	96	100	80,000
	90C37K	8,498	89	96	100	80,000
	90C43K	8,585	89	96	100	80,000

Information subject to change without notice. Visit www.kenall.com for IES files and additional information.

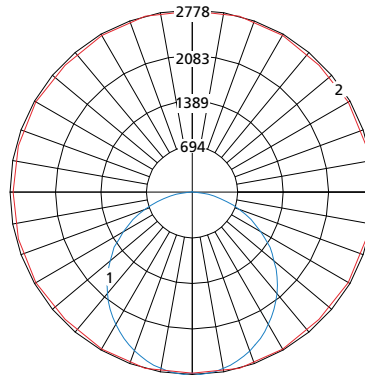
Model: MT22-55C37K-DIM1-DV



Maximum Candela = 1683 Located At Horizontal Angle = 90, Vertical Angle = 2.5

- 1 - Vertical Plane Through Horizontal Angles (90-270) (Through Max. Cd.)
- 2 - Horizontal Cone Through Vertical Angle (2.5) (Through Max. Cd.)

Model: MT24-90C37K-DIM1-DV



Maximum Candela = 2778 Located At Horizontal Angle = 75, Vertical Angle = 2.5

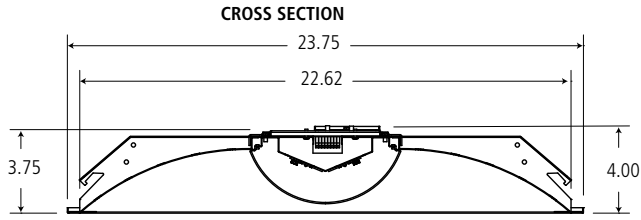
- 1 - Vertical Plane Through Horizontal Angles (75-255) (Through Max. Cd.)
- 2 - Horizontal Cone Through Vertical Angle (2.5) (Through Max. Cd.)



MEDMASTER™ TROFFER

MT SERIES using Indigo-Clean Technology

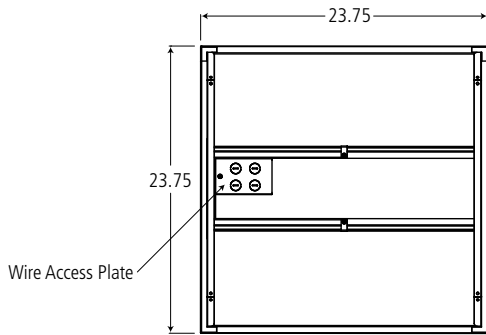
DIMENSIONAL DATA



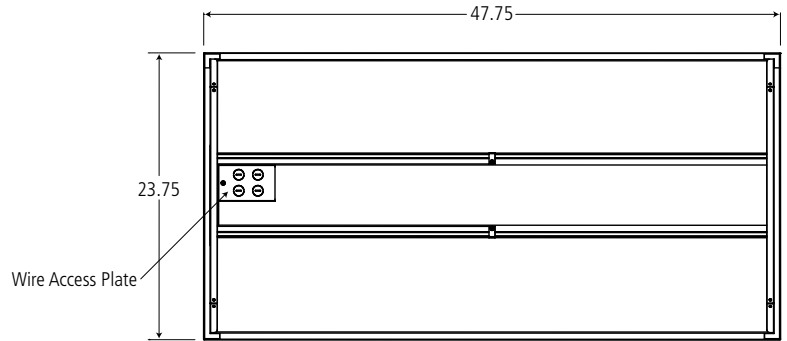
RECOMMENDED CEILING CUTOUT (DRYWALL INSTALLATION)

MT22	24.50" × 24.50"
MT24	24.50" × 48.50"

MT22 TOP VIEW



MT24 TOP VIEW



www.kenall.com

P: 800-4-Kenall

F: 262-891-9701

10200 55th Street Kenosha, Wisconsin 53144

A brand of Legrand

This product may be covered by patents found at www.kenall.com/patents. Content of specification sheets is subject to change; please consult www.kenall.com for current product details.
© 2018 Kenall Mfg. Co. All rights reserved.

MT_22_24-ICT-040620