

MEDMASTER™ TROFFER

MT SERIES - TUNABLE WHITE LED

PRODUCT FEATURES:

- » Recessed mount – Flange or Grid; 2'×2', 2'×4'
- » High-output, high-CRI white LED lamp sources with 2700K-6500K white tuning capability
- » NSF2 rating for ease of wipe-down cleaning



PROJECT INFORMATION

Job Name _____

Fixture Type _____

Catalog Number _____

Approved by _____

SPECIFICATIONS

HOUSING/REFLECTOR: Fabricated aluminum construction. Matte white powder coat finish with five-stage pre-treatment.

LENS: Extruded frosted acrylic.

LED MODULE: Serviceable tunable-white, mid-power LED array provides 2700K through 6500K CCT range with a two-point path. Minimum 82 CRI standard (R9 >20) with optional minimum 90 CRI (R9 >50).

DRIVER: 120 or 277VAC, 50/60Hz electrical input (PF ≥ 0.9, THD < 20%). Minimum 85% electrical efficiency. Serviceable, constant-current multi-channel programmable driver with dual analog (0-10V) control inputs for intensity and CCT. Linear intensity and CCT adjustment profiles with 1-100% range and dim-to-dark capabilities on intensity. Optional DALI (Type 8) driver with 1-100% range and dim-to-dark intensity dimming with linear intensity and CCT adjustment profiles.

INSTALLATION: Designed 1" T-grid and drywall ceilings. Drywall ceiling installation requires Drywall Frame Kit (FA) Accessory.

WARRANTY: Limited five (5) year warranty.

PHOTOMETRICS: Photometry tested to the IESNA LM-79-08 standard by an ILAC/ISO17025 accredited laboratory. For additional photometric data, please go to www.kenall.com.

LISTINGS: Luminaire is certified to UL Standards by Intertek Testing Laboratory for Damp Location and non-IC installations. NSF2 Splash/Non-Food Zone.



ORDERING INFORMATION (Ex: MT24-67T-27/65K8-DTW-277)

Model	Lamp Power	Lamp Color	Driver Type	Voltage	Options	Accessories
Model	Lamp Power		Driver Type			
MT22 2'×2'	2×2		ATW Analog (0-10V) Dimming Tunable White Driver			
MT24 2'×4'	45T 45W Tunable White		DTW DALI Tunable White Driver			
	2×4		DMX DMX Tunable White Driver (Consult Factory)			
	45T 45W Tunable White		Voltage			
	67T 67W Tunable White		120 120 VAC			
	90T 90W Tunable White		277 277 VAC			
	Lamp Color		Options			
	27/65K8 2700-6500K CCT Range (82 CRI min)		LEL* Integral Battery Backup (min. 32°F/0°C ambient)			
	27/65K9 2700-6500K CCT Range (92 CRI min)		FS Fuse & Holder			
			Accessories			
			FA Drywall Frame Kit			

* Height of fixture is 6.75" with LEL option



www.kenall.com P: 800-4-Kenall F: 262-891-9701 10200 55th Street Kenosha, Wisconsin 53144

A brand of Legrand

This product may be covered by patents found at www.kenall.com/patents. Content of specification sheets is subject to change; please consult www.kenall.com for current product details.
© 2018 Kenall Mfg. Co. All rights reserved.

MEDMASTER™ TROFFER

MT SERIES - TUNABLE WHITE LED

PERFORMANCE

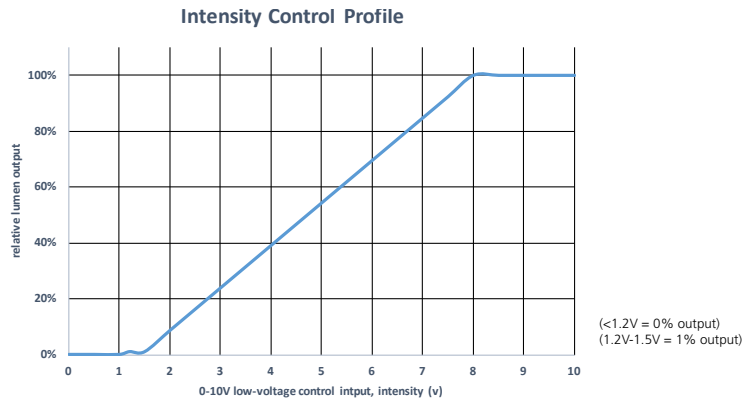
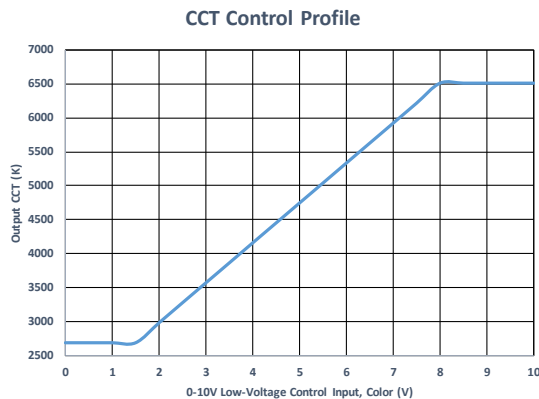
Model	Lamp Type	Performance at 4000K Tuning			
		Lumen Output (lm)	Efficacy (lm/W)	Input Power (W)	Estd. L70 LED Life (Hrs)
MT22	45T-27/65K8	5,295	115	46	80,000
	45T-27/65K9	4,267	93	46	80,000
MT24	45T-27/65K8	5,393	117	46	80,000
	45T-27/65K9	4,346	94	46	80,000
	67T-27/65K8	8,068	119	68	80,000
	67T-27/65K9	6,683	98	68	80,000
	90T-27/65K8	10,479	114	92	60,000
	90T-27/65K9	8,446	92	92	60,000

Information subject to change without notice. Visit www.kenall.com for ies files additional information.

PERFORMANCE SCALING, BY LAMP COLOR

CCT (K)	27/65K8					27/65K9				
	LUMEN SCALE FACTOR	Ra	R9	Rf	Rg	LUMEN SCALE FACTOR	Ra	R9	Rf	Rg
2700	0.97	83	10	83	97	0.98	92	57	89	98
3000	0.98	84	15	83	98	0.99	94	70	91	99
3500	0.99	86	23	84	98	0.99	95	77	92	99
4000	1.00	86	26	84	98	1.00	96	83	92	99
4600	1.01	86	28	84	98	1.01	96	90	92	100
5000	1.01	86	25	83	98	1.03	96	96	91	101
5700	1.02	85	23	82	98	1.02	96	96	91	100
6500	1.04	84	16	82	96	1.02	96	96	90	100

CCT AND INTENSITY ADJUSTMENT PROFILE - ATW DRIVER TYPE



NOTE: The provided information is the typical expected performance of a single luminaire. Additional luminaires on the same 0-10V line may result in different control profiles. Fine tuning of system performance should be completed after installation is complete. To avoid CCT shift between luminaires, care should be taken to minimize voltage drop on the CCT Control line. It is recommended to limit the load on the CCT control circuit to twenty (20) 45T or ten (10) 67T/90T luminaires or less.

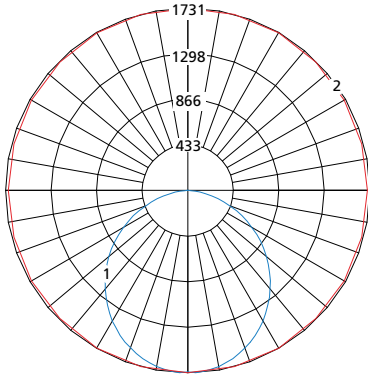


MEDMASTER™ TROFFER

MT SERIES - TUNABLE WHITE LED

PERFORMANCE

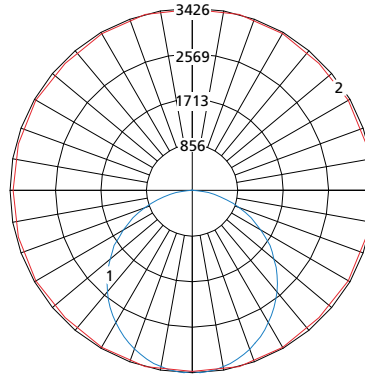
Model: MT22-45T-27/65K8-ATW-DV



Maximum Candela = 1731 Located At Horizontal Angle = 90, Vertical Angle = 2.5

- 1 - Vertical Plane Through Horizontal Angles (90-270) (Through Max. Cd.)
- 2 - Horizontal Cone Through Vertical Angle (2.5) (Through Max. Cd.)

Model: MT24-90T-27/65K8-ATW-DV

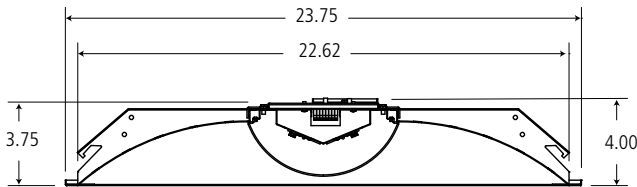


Maximum Candela = 3426 Located At Horizontal Angle = 75, Vertical Angle = 2.5

- 1 - Vertical Plane Through Horizontal Angles (75-255) (Through Max. Cd.)
- 2 - Horizontal Cone Through Vertical Angle (2.5) (Through Max. Cd.)

DIMENSIONAL DATA

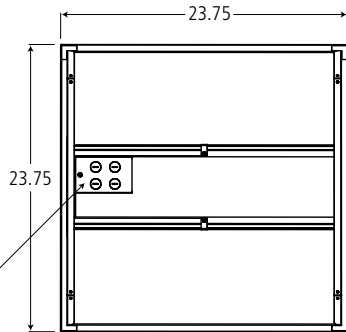
CROSS SECTION



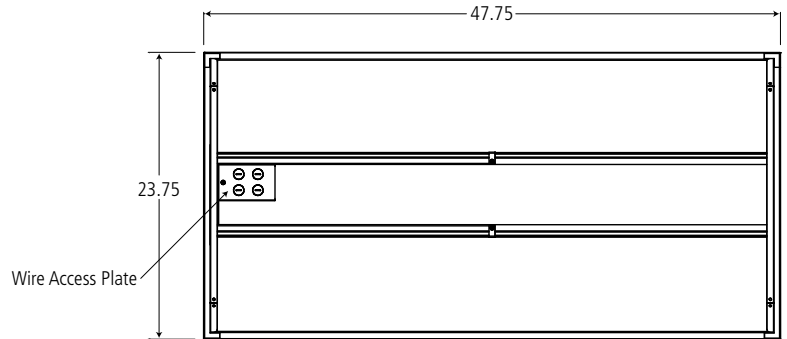
RECOMMENDED CEILING CUTOUT (DRYWALL INSTALLATION)

MT22	24.50" x 24.50"
MT24	24.50" x 48.50"

MT22 TOP VIEW



MT24 TOP VIEW



www.kenall.com

P: 800-4-Kenall

F: 262-891-9701

10200 55th Street Kenosha, Wisconsin 53144

A brand of Legrand

This product may be covered by patents found at www.kenall.com/patents. Content of specification sheets is subject to change; please consult www.kenall.com for current product details.
© 2018 Kenall Mfg. Co. All rights reserved.