

# MIGHTY MAC™

## SSD SERIES

### PRODUCT FEATURES:

- » Surface ceiling mount – 24"×24" and 24"×48" lengths
- » TIG welded housing with no post grinding for additional strength
- » Vertically adjustable bracket secured to housing via thru-studs
- » Completely concealed internal drop slot piano hinge



### PROJECT INFORMATION

Job Name \_\_\_\_\_

Fixture Type \_\_\_\_\_

Catalog Number \_\_\_\_\_

Approved by \_\_\_\_\_

### SPECIFICATIONS

**HOUSING:** One-piece die-formed prime grade material as specified – see ordering information. Corners continuously seam welded and smooth with no post grinding (TIG). Clamshell housing resistant to penetration and contraband concealment.

**BASEPLATE:** Prime grade material as specified – see ordering information. Die-formed blade trap (1/4" minimum) prevents contraband concealment and access. Embossed standoffs prevent distortion.

**LENS:** As specified – maximum thickness .625" – see ordering information. Kenall recommends a prismatic inner lens and a clear outer lens. Two clear lenses used in combination cannot be provided.

**LENS RETENTION:** Vertically adjustable continuous "Z" brackets of prime grade material, secured to housing via thru-studs (6" maximum spacing).

**HINGE:** 2' completely concealed internal drop slot piano hinge (1/2" knuckle/1/8" diameter pin) standard. Pin secured to knuckle. Hinge welded to housing and mounts to either side of baseplate via keyholes. See Options for Full Length Internal Hinge (IHF).

**FASTENERS:** Hardened security screws as specified – see ordering information. Fully recessed.

**FINISH:** TGIC polyester powder coat – 5-stage pre-treatment. Salt spray test: 1,000 hours; Reflectance: 92%.

**LED ELECTRICAL:** Available 3500K, 4000K and 5000K color temperatures, 82 CRI. 120-277VAC, or 347VAC 50/60Hz electrical input with serviceable high power factor electronic, constant-current driver (<20% THD, >0.95 PF). Standard 0-10V dimming with 1-100% range and dim-to-dark capabilities (non dim-to-dark with 347V); 330µA max. source current.

**LAMPS:** Quantity and type as specified – see ordering information. Lamps supplied by others.

**BALLAST:** Quantity and type as specified – see ordering information. All ballasts UL listed class P. Optional removable reflector/lamp/ballast tray with quick disconnect.

**LUMINOUS SEAL:** Polyurethane foam prevents light leaks from luminaire base.

**INSTALLATION:** Fixture not suitable for Surface Conduit or Continuous Row Mounting.

**PHOTOMETRICS:** Efficiency of SSD4-0/0-432-IS-1-120-1/B-1 = 70%. For photometric information, go to [www.kenall.com](http://www.kenall.com).

**WARRANTY:** Limited five (5) year warranty on LED lamps.

**LISTINGS:** UL and CUL listed for Damp Locations. See ordering information for Wet Location applications.



### ORDERING INFORMATION (Ex: SSD-4-67L35K-DCC-DV-SYM/B-1-FS)

Model      Size      Hsg./Door Material      Lamp Qty      Lamp Type      Ballast Type      Ballast Qty      Voltage      Lens (Inner/Outer)      Fasteners      Options

#### SSD

**Nominal Size**  
**2** 24"×24"  
**4** 24"×48"

**Housing/Base Material**  
**0** 14-Ga CRS (Painted White)  
**1** 16-Ga CRS (Painted White)  
**3** 14-Ga SS (Painted White)  
**4** 16-Ga SS (Painted White)  
**6\*** 14-Ga SS (Brushed)  
**7\*** 16-Ga SS (Brushed)  
**9** 12-Ga CRS (Painted White)

**Lamp Quantity (n/a with LED)**  
**2** Two  
**3** Three  
**4** Four

**Lamp Type**  
**2' Nominal Length**  
**45L35K** 45 Watt 3500K LED (82 CRI)  
**45L40K** 45 Watt 4000K LED (82 CRI)  
**45L50K** 45 Watt 5000K LED (82 CRI)  
**17** F17T8

**4' Nominal Length**  
**45L35K** 45 Watt 3500K LED (82 CRI)  
**45L40K** 45 Watt 4000K LED (82 CRI)  
**45L50K** 45 Watt 5000K LED (82 CRI)  
**67L35K** 67 Watt 3500K LED (82 CRI)  
**67L40K** 67 Watt 4000K LED (82 CRI)  
**67L50K** 67 Watt 5000K LED (82 CRI)  
**90L35K** 90 Watt 3500K LED (82 CRI)  
**90L40K** 90 Watt 4000K LED (82 CRI)  
**90L50K** 90 Watt 5000K LED (82 CRI)  
**28** F28T5  
**32** F32T8  
**54** F54T5HO

**Ballast/Driver Type**  
**IS** Instant Start Electronic <10% THD (T8)  
**RS** Rapid Start Electronic <10% THD (CFL, T8, T5, T5HO)  
**SB** Specified Ballast  
**DCC** Dimming Constant Current Driver

**Ballast Quantity (n/a with LED)**  
**1** One  
**2** Two

**Voltage**  
**120** 120 Volts  
**277** 277 Volts  
**347** 347 Volts  
**DV** 120-277 Volts

**Lens (Inner/Outer)‡**  
**SYM\*** Symmetric, Diffused DR Acrylic  
**0** No Lens  
**1** .125" Prismatic Acrylic  
**2** .125" Prismatic Polycarbonate  
**3** .125" Textured Polycarbonate  
**G\*** .125" Clear Polycarbonate  
**4** .156" Prismatic Polycarbonate  
**TG** .125" Textured Tempered Glass  
**6** .187" Prismatic Polycarbonate  
**7\*** .187" Clear Polycarbonate  
**8\*** .187" Clear Tempered Glass  
**9\*** .250" Clear Polycarbonate  
**A\*** .250" Clear Tempered Glass  
**B\*** .375" Clear Polycarbonate  
**C\*** .375" Clear Tempered Glass  
**J\*** .500" Clear Polycarbonate  
**P\*** .500" Clear Tempered Glass

**Fastener**  
**1** Torx® Head w/ Center Pin  
**2** Allen Head w/ Center Pin

**Options**  
**EL•** Standard Lumen EL Pack  
**LEL** Integral 8.4W Emergency Battery Backup (4' only, 45L max; n/a 347V, 0°C min ambient)  
**LELST** Integral 6W Self-Testing Emergency Battery Backup (4' only, 45L max; n/a 347V, 0°C min ambient)  
**DLN** LED Night Light w/Light Level Control (100% - 20%, voltage-specific selection req'd, n/a 347V)  
**FS** Single Fuse & Holder  
**IHF** Full Length Internal Hinge  
**RGT** Removable Gear Tray  
**SK** Speaker Housing Extension  
**WL** Wet Location Listed

\* n/a as Base Material  
 • Three lamp max. w/ F54T5HO; n/a with LED  
 ‡ Refer to lens specifications  
 ▲ Must be paired with prismatic, diffused or textured lens when ordering LED lamps  
 ▲ Can only be used with clear outer lens



[www.kenall.com](http://www.kenall.com) | P: 800-4-Kenall | F: 262-891-9701 | 10200 55th Street Kenosha, Wisconsin 53144, USA

A brand of **legrand**

This product complies with the Buy American Act: manufactured in the United States with more than 50% of the component cost of US origin. It may be covered by patents found at [www.kenall.com/patents](http://www.kenall.com/patents). Content of specification sheets is subject to change; please consult [www.kenall.com](http://www.kenall.com) for current product details. ©2019 Kenall Mfg. Co.

# MIGHTY MAC™

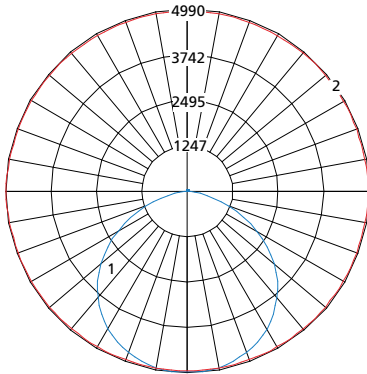
## SSD SERIES

### PERFORMANCE

Nominal Size	Lamp Type	Initial Delivered Lumens		Input Power (W)	Drive Current (mA)	Estd. L70 LED Life (Hrs)
		@ 25°C	Efficacy (lm/W)			
2	45L35K	5,096	110	46	100	80,000
	45L40K	5,270	114	46	100	80,000
	45L50K	5,486	118	46	100	80,000
4	45L35K	5,590	121	46	100	80,000
	45L40K	5,781	125	46	100	80,000
	45L50K	6,018	130	46	100	80,000
	67L35K	8,927	120	74	75	80,000
	67L40K	9,231	124	74	75	80,000
	67L50K	9,610	129	74	75	80,000
	90L35K	11,023	114	97	100	80,000
	90L40K	11,400	118	97	100	80,000
90L50K	11,867	123	97	100	80,000	

NOTE: All products tested with SYM/B lens configuration. See "Lumen Output Scaling Factor" table for output values with alternate lens configurations. Information subject to change without notice. Visit [www.kenall.com](http://www.kenall.com) for IES files and additional information.

Model: SSD-4-1/1-1-90L40K-DCC-1-DV-Y/B-1



Maximum Candela = 4990 Located At Horizontal Angle = 15, Vertical Angle = 2.5

- 1 - Vertical Plane Through Horizontal Angles (15-195) (Through Max. Cd.)
- 2 - Horizontal Cone Through Vertical Angle (2.5) (Through Max. Cd.)

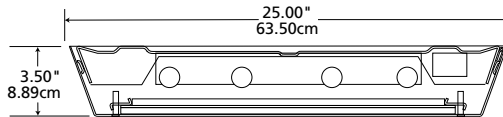
### LUMEN OUTPUT SCALING FACTORS

Lens Configuration	Inner Lens	Outer Lens	Scaling Factor
SYM/G	1/8" Frost Acrylic	1/8" Clear PC	1.10
SYM/7		3/16" Clear PC	1.06
SYM/8		3/16" Clear TG	1.06
SYM/9		1/4" Clear PC	1.03
SYM/B		3/8" Clear PC	1.00
SYM/C		3/8" Clear TG	1.03
SYM/J		1/2" Clear PC	0.99
1/G		1/8" Prismatic Acrylic	1/8" Clear PC
1/9	1/4" Clear PC		0.99
1/B	3/8" Clear PC		0.99
2/J	1/2" Clear PC		0.87

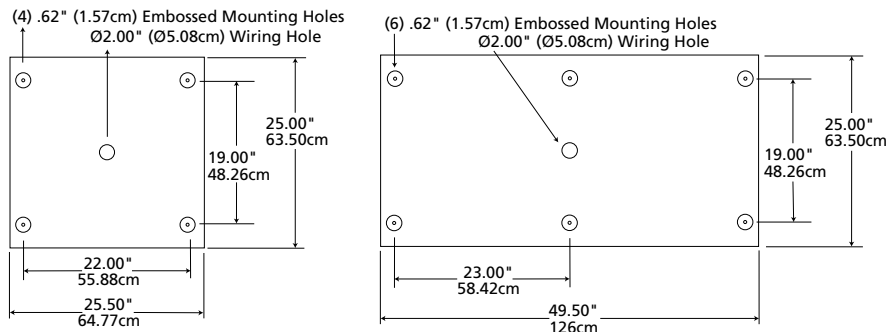
NOTE: Use this table to determine the lumen output and efficacy of the desired lens configuration by multiplying the provided value with the appropriate number in the "Performance" table above.

### DIMENSIONAL DATA

#### CROSS SECTION



#### MOUNTING HOLES



[www.kenall.com](http://www.kenall.com) | P: 800-4-Kenall | F: 262-891-9701 | 10200 55th Street Kenosha, Wisconsin 53144, USA

A brand of **Legrand**

This product complies with the Buy American Act: manufactured in the United States with more than 50% of the component cost of US origin. It may be covered by patents found at [www.kenall.com/patents](http://www.kenall.com/patents). Content of specification sheets is subject to change; please consult [www.kenall.com](http://www.kenall.com) for current product details. ©2019 Kenall Mfg. Co.