



# 4DS tunable WHITE 4.5" Downlight – Square

## FEATURES

- Support human-centric design with adaptive, individualized lighting using tunable white light
- Beam angles ranging from 25° narrow to 60° wide for tailored performance
- 4 inch aperture is unobtrusive in small scale spaces
- Square shape accentuates architectural styles
- New construction mounting pan, IC-rated, or pan-less remodel kit available
- Open reflector with 7 finishes to complement any interior style
- Die-cast trim choices include flush, regressed or angled lens
- Contemporary design provides glare-free illumination for a soft ceiling appearance
- Spring clip retention system eliminates trim sag
- Fully room-side accessible

## SPECIFICATIONS

- HOUSING** – Die-cast aluminum trim housing with forged aluminum heat sink. Galvanized steel splice compartment with driver mounting plate/enclosure. Swing-out mounting arms field adjust for ceiling thickness from 1/2" – 2-1/4".
- OPEN REFLECTOR** – Low-iridescent anodized aluminum with top diffuser.
- LENSED TRIM** – Die-cast aluminum frame with micro-prismatic, acrylic lens.
- ELECTRICAL** – High-performance Class 2 LED array. Modular quick-connect plug for easy field-connection of LED light assembly to driver. Reported L70>50,000 hours. Tunable White products use LEDs of multiple CCTs and may produce a perceptibly different shade of white from single-CCT products at the same CCT. All CCTs are within 3 MacAdam ellipses.
- MOUNTING** – Recessed. 20 ga. galvanized steel mounting pan for new construction or IC-rated enclosure. Remodel kit option includes receiver bracket hardware.
- LISTINGS** –
  - cCSAus conforms to UL STD 1598; Certified to CAN/CSA STD C22.2 No. 250.0 for dry and damp locations. LED light assembly conforms to UL 2108 for remote installation.
  - Suitable for wet location under covered ceiling when specified with WE1/CC option.
  - IC-rated for direct contact with insulation when specified with I Mounting Type.
  - City of Chicago Environmental Air approved when specified with CP option.
  - Complies with ASTM-E283 when specified with ATH option.
  - RoHS compliant.
  - Complies with the Buy American Act and other federal regulations. Request certification at [hew.com/baa](http://hew.com/baa).
- WARRANTY** – 5-year limited warranty, see [hew.com/warranty](http://hew.com/warranty).

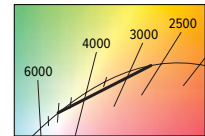
## FIXTURE PERFORMANCE DATA

### OPEN REFLECTOR TRIM TYPE

LED PACKAGE	DISTRIBUTION	DELIVERED LUMENS	WATTAGE	EFFICACY (lm/W)
L11	W	965	14.6	66
	M	1065	14.6	73
	N	1088	14.6	75
L20	W	1680	24.0	70
	M	1853	24.0	77
	N	1782	24.0	74

### FLUSH LENS TRIM TYPE

LED PACKAGE	DISTRIBUTION	DELIVERED LUMENS	WATTAGE	EFFICACY (lm/W)
L11	W	1045	14.6	72
	M	1152	14.6	79
	N	1165	14.6	80
L20	W	1820	24.0	76
	M	1973	24.0	82
	N	1908	24.0	80



### REGRESSED LENS TRIM TYPE

LED PACKAGE	DISTRIBUTION	DELIVERED LUMENS	WATTAGE	EFFICACY (lm/W)
L11	W	1004	14.6	69
	M	1132	14.6	78
	N	1152	14.6	79
L20	W	1749	24.0	73
	M	1945	24.0	81
	N	1887	24.0	79

### MULTIPLIER TABLES

COLOR TEMPERATURE		
CCT	LUMENS	WATTS
2700K	0.83	1.03
3000K	1.00	1.00
3500K	0.99	0.99
4000K	1.00	1.00
5000K	0.98	1.03

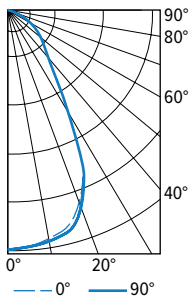
OPEN REFLECTOR FINISH		
CATALOG NUMBER	REFLECTOR FINISH	CONVERSION FACTOR
CS	Clear semi-specular	1.00
SG	Satin-glow	0.92
GD	Gold	0.93
CG	Champagne Gold	0.96
PW	Pewter	0.86
SPC	Specular	1.02
RG	Rose Gold	0.88
WH	White, textured	0.89
BL	Black, textured	0.79

TRIM	
CATALOG NUMBER	CONVERSION FACTOR
AD	0.85
PD	0.85

- Photometrics tested in accordance with IESNA LM-79. Results shown are based on 25°C ambient temperature.
- Wattage shown is based on 120V input.
- Results based on 4000K, 80 CRI, actual lumens may vary +/-5%
- To calculate lumen output in emergency mode, multiply the battery wattage by the efficacy.
- Use multiplier tables to calculate additional options.

## PHOTOMETRY

4DS-L20/8TW-DIM-UNV-LW-OF-WH Total Luminaire Output: 1820 lumens; 24 Watts | Efficacy: 75.8 lm/W | 80 CRI; 4000K CCT

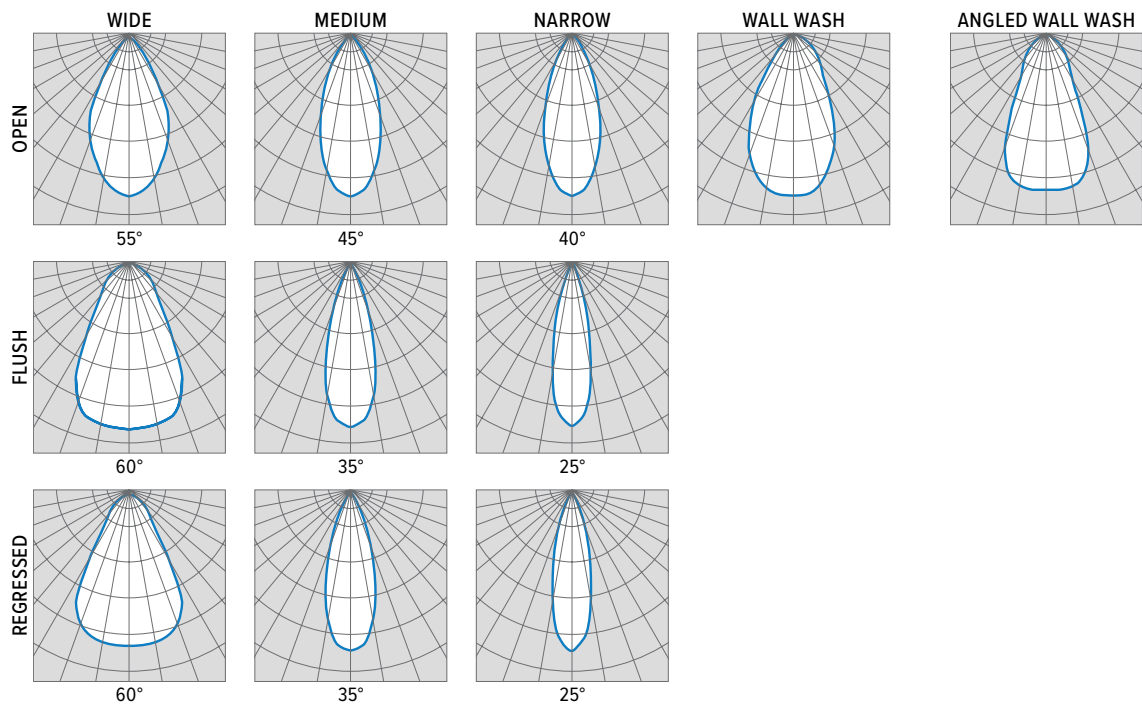


CANDLEPOWER DISTRIBUTION	VERTICAL ANGLE	HORIZONTAL ANGLE			ZONAL LUMENS
		0°	45°	90°	
	0	1354	1354	1354	
5	1341	1341	1342	127	
15	1265	1283	1291	359	
25	982	1111	985	467	
35	444	676	436	343	
45	281	305	279	229	
55	170	175	169	157	
65	90	87	88	90	
75	37	36	37	40	
85	4	4	5	8	
90	0	0	0		

LUMEN SUMMARY	ZONE	LUMENS	% FIXTURE
	0 - 30	954	52
	0 - 40	1296	71
	0 - 60	1682	92
	0 - 90	1820	100
	0 - 180	1820	100



# 4DS tunable WHITE 4.5" Downlight – Square



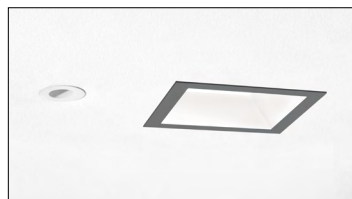
## EMERGENCY BATTERY OPTIONS

Additional limitations apply, see page 1. Specify CEC in the option code when California Energy Commission regulations are required.

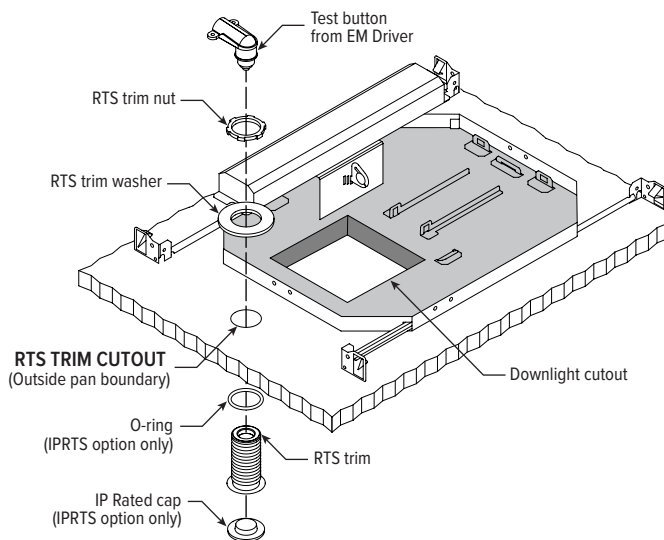
CATALOG NUMBER	DESCRIPTION
EM/7W	7-watt emergency battery <sup>1</sup>
EM/7W/RTS	7-watt emergency battery with regressed test switch <sup>2</sup>
EM/7W/IPRTS	7-watt emergency battery with IP65 rated regressed test switch
EM/10W	10-watt emergency battery <sup>1</sup>
EM/10W/RTS	10-watt emergency battery with regressed test switch <sup>2</sup>
EM/10W/IPRTS	10-watt emergency battery with IP65 rated regressed test switch

- <sup>1</sup> Not available with IP Option.
- <sup>2</sup> Not available with IP or WET/CC Options.

## REGRESSED TEST SWITCH DETAILS



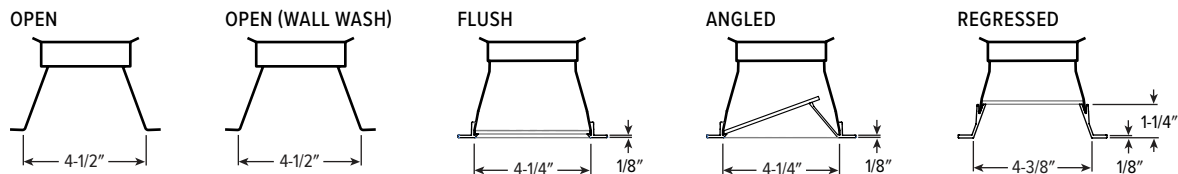
Shown Installed



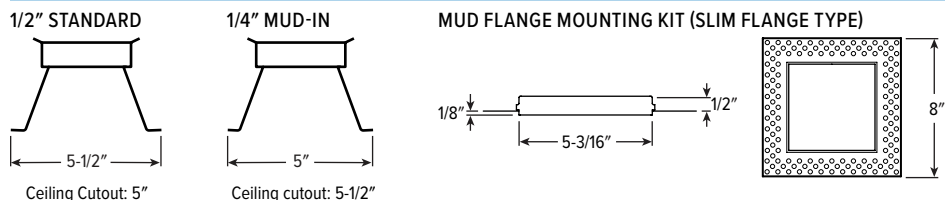
# 4DS tunable WHITE

## 4.5" Downlight – Square

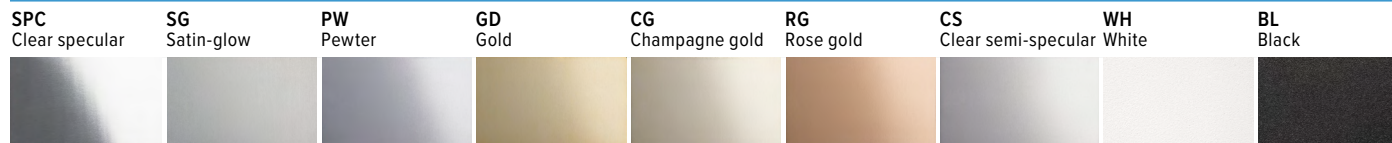
### TRIM TYPE DETAILS



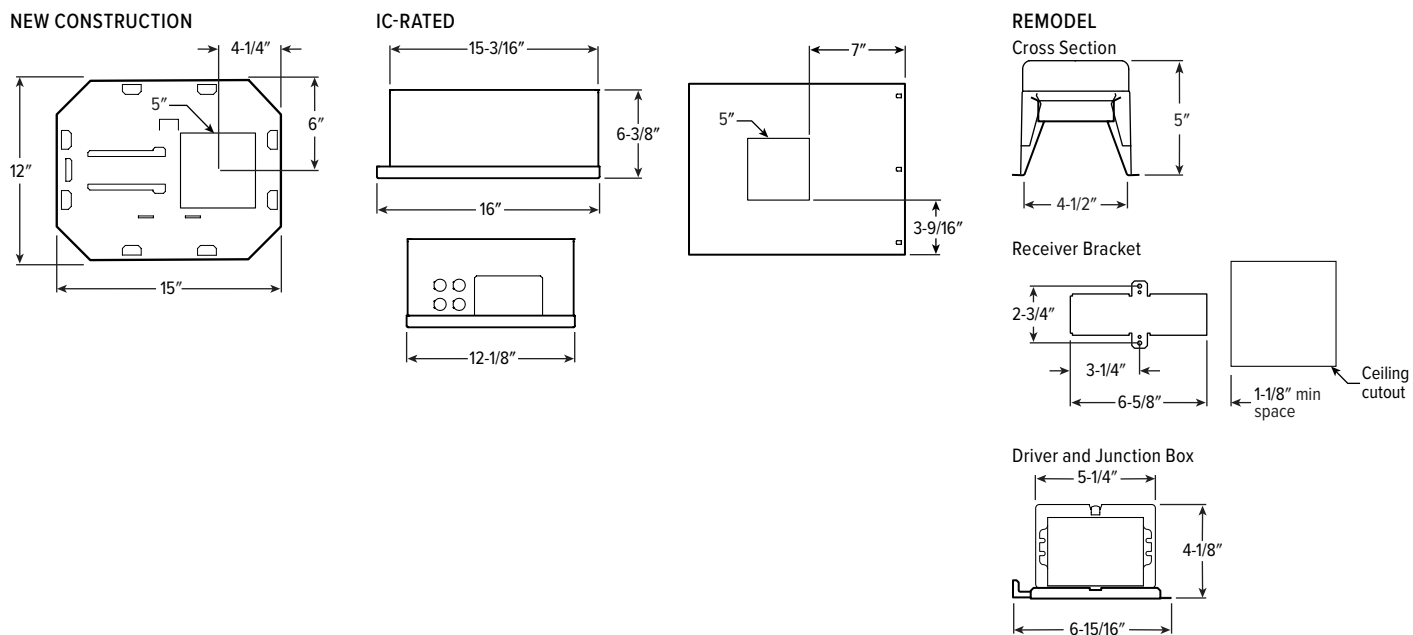
### FLANGE TYPE DETAILS



### REFLECTOR FINISH DETAILS



### MOUNTING TYPE DETAILS



# 4DS tunable WHITE

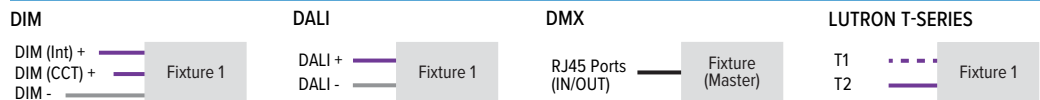
## 4.5" Downlight – Square

### APERTURE ADAPTOR ORDERING INFO

ORDERING EXAMPLE: 4DR - GR - 0575 - WHT			
SERIES	CATALOG NUMBER	CEILING CUTOUT	FINISH
4AR 6AR	GR	Specify ceiling cutout in 1/8" increments. Example: 5.75" = 0575	CS Clear semi-specular powder coat
4DR 6DR			WH White texture powder coat
4DS 6DS			BL Black texture powder coat
4PR 6PR			
4PS 6PS 8DR			See Kit Components for application limits.

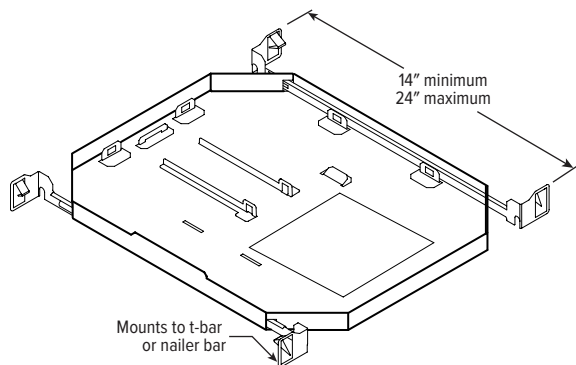
For use with remodel downlights. Additional finishes available, consult factory.  
For limitations and instructions, see [hew.com/aperture-adaptor.pdf](http://hew.com/aperture-adaptor.pdf)

### CONTROL DETAILS

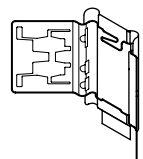


### MOUNTING HARDWARE DETAILS

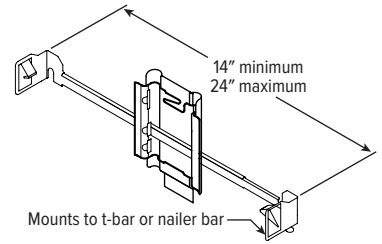
**F1** Integral 2-position fixed pan bracket, universal bar hanger included



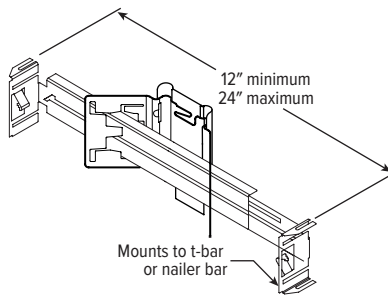
**BA1** Adjustable butterfly pan bracket, bar hanger not included (N Mounting Type only)



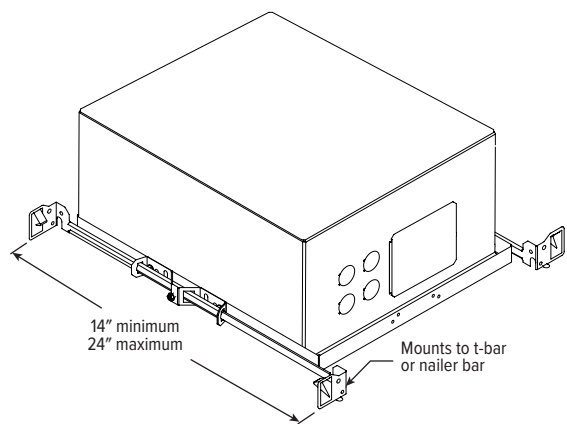
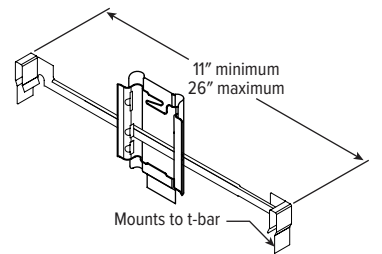
**CA1** Adjustable caterpillar pan bracket, universal bar hanger included (N Mounting Type only)



**BA2** Adjustable butterfly pan bracket, heavy-duty universal bar hanger included (N Mounting Type only)



**CA2** Adjustable caterpillar pan bracket, t-bar hanger included (N Mounting Type only)



F1 with I Mounting Type

