

DESCRIPTION

The BVTPLED is a surface-mounted LED luminaire, designed to IP65 rating to prevent the intrusion of moisture and dust. The BVTPLED provides general ambient lighting in commercial and industrial settings, making it perfect choice for both new construction and retrofits. This high-efficacy DLC qualified luminaire provides long-life, uniform illumination, and standard 0-10VDC dimming capability. The BVTPLED is also offered with integral battery backup providing up to 90min of emergency illumination and an integral occupancy sensor allowing additional energy savings.

SPECIFICATIONS

Construction:

- Easy installation in new construction or retrofit
- ABS (acrylonitrile butadiene styrene) housing in grey finish
- Diffuse polycarbonate lens
- Stainless steel mounting bracket and lens clips are standard

Optics/ LEDs:

- L70 > 100,000 hours
- Available in 3500K (warm white), 4000K (neutral white) and 5000K (cool white) color temperatures
- Choose from 4,793 lumens (120 LPW) at 3500K; 5,200 lumens (130 LPW) at 4000K; and 5,240 lumens (131 LPW) at 5000K
- Uniform illumination with no visible LED pixelation
- CRI >80

Electrical:

- 0-10VDC dimming capability is standard
- Universal 120-277VAC, 50/60Hz
- Power factor > 0.95
- Total harmonic distortion <10%

Installation:

- Easy installation in new construction or retrofit
- Stainless steel mounting brackets

Factory Installed Options:

- Emergency driver (BLEDEM-CP) providing between 800-1600 lumens and 90 minutes of emergency run time, 24hrs maximum of battery recharge. Rated for ambient temperatures of 32°F to 104°F (0°C to 40°C)
- Internal Occupancy sensor (MC613VDRC) allows for additional energy saving. On/Off, 3-step dimming function with optional daylight harvesting capabilities. See sensor settings for more information

Testing & Compliance:

- UL Listed for Wet Locations
- IP65 Rated for ingress protection
- (DLC) DesignLights® Consortium qualified
- Operating temperatures: -20°C to 50°C (-4°F to 122°F)
- Complies with FCC Part 15, Class A
- Complies with IEEE C.62.41-1991, Class A input transient surge protection (2.5kVA)
- Complies with IEC 61000-4-2 level 2 (4kVA) electrostatic discharge (ESD)

Warranty:

- 5 year warranty (terms and conditions apply)

Ordering Information (Example: BVTPLED-40-4KMV-ET)

SKUs	Wattage	CCT	Factory Installed Accessories ¹ (Order as separate line item)
BVTPLED	40 = 40 Watts	35KMV-ET = 3500K	MC613VDRC = Internal Occupancy Sensor
		4KMV-ET = 4000K	BLEDEM-CP-800 = Emergency Driver (800 lm)
		5KMV-ET = 5000K	BLEDEM-CP-1200 = Emergency Driver (1200 lm)
Notes			BLEDEM-CP-1600 = Emergency Driver (1600 lm)

¹ Order as separate line item for factory installation

Model: _____ Date: _____
 Accessories: _____
 Job Name: _____ Type: _____

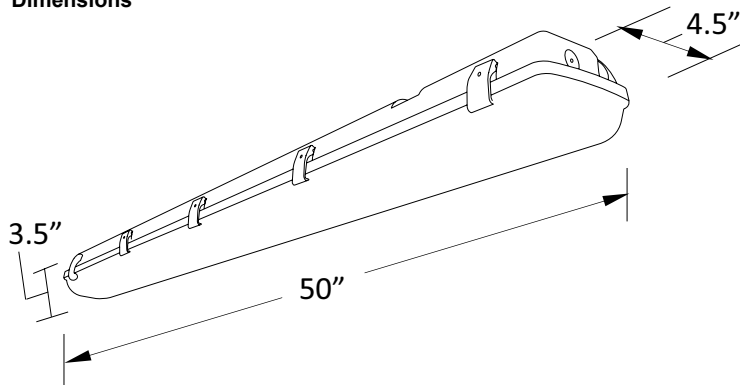


Specs at a Glance	
CCT	5000K (3500/4000K)
CRI	>80
Length	50"
Wattage (w)	40
Lumens (lm)	5,240
Efficacy (LPW)	131
Input Voltage	120-277VAC, 50/60Hz
Warranty	UL Listed 5 Years
Certifications	UL Listed for Wet Location, DLC, FCC Class A, IP65, 2.5kVA Surge Protected
Operating Temp	-20°C to 50°C (-4°F to 122°F)

*Nominal length **Nominal wattage, tested at 5000K CCT

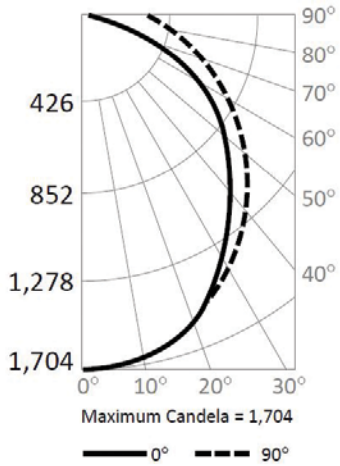
Note: Environment and application will affect actual performance. Typical values and 25°C used for testing.

Dimensions



Sample Photometry

(Example: BVTPLED-40-5KMV (5,240 lumens))



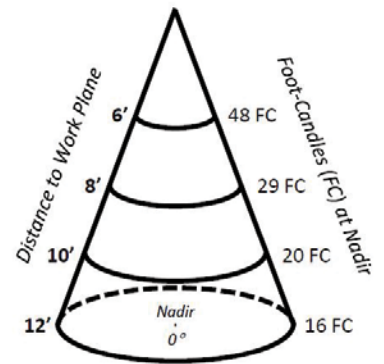
Candlepower Summary

	0°	90°
0°	1,704	1,704
10°	1,665	1,668
20°	1,550	1,547
30°	1,363	1,387
40°	1,125	1,215
50°	862	1,030
60°	599	845
70°	357	668
80°	144	465
90°	20	283

Zonal Lumen Summary

Zone	Lumens	% Fixture
0° – 10°	172	3.3%
0° – 20°	656	12.5%
0° – 30°	1,373	26.2%
0° – 40°	2,218	42.3%
0° – 50°	3,081	58.8%
0° – 60°	3,867	73.8%
0° – 70°	4,510	86.1%
0° – 80°	4,969	94.8%
0° – 90°	5,240	100%
90° – 180°	0	0%
0° – 180°	5,240	100.0%

Cone of Light



Sensor Settings

- 120/277/347Vac Input Voltage Microwave motion sensor
- On/Off, 3-step dimming function with detachable sensor
- Functions can be set via DIP
- Stand-by Power: <1.0W
- 1-10V Dimming, <50mA (none constant current source)

Sensor Default Settings

- Detection Area: 100%
- Hold-time: 5 mins
- Standby period: 0s
- Standby dimming level: 20%
- Daylight Threshold: Disabled