



SLA7

1. ARM

2. COLOR

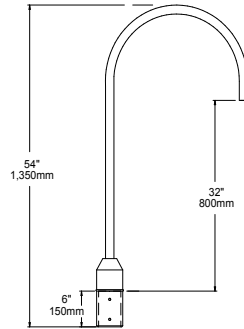
1. ARM

- SLA7 (Slips over 4" pole. Weight: 9 lbs. EPA: 1.34)
- SLA7(5) (Slips over 5" pole. Weight: 11 lbs. EPA: 1.73)
- SLA7-2 (Twin arms, slips over 4" pole. Weight: 16 lbs. EPA: 2.34)
- SLA7(5)-2 (Twin arms, slips over 5" pole. Weight: 18 lbs. EPA: 2.60)

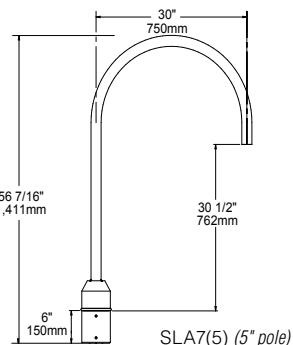
2. COLOR

- | | |
|----------------------|----------------------------|
| WH Arctic White | MDB Bronze Metallic |
| BL Black | VBU Verde Blue |
| BLT Matte Black | CRT Corten |
| DB Dark Bronze | MAL Matte Aluminum |
| DGN Dark Green | MG Medium Grey |
| TT Titanium | AGN Antique Green |
| WDB Weathered Bronze | LG Light Grey |
| | RAL Premium Color |
| | CUSTOM * * Contact Factory |

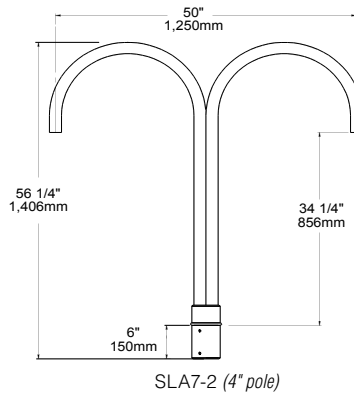
DIMENSIONS



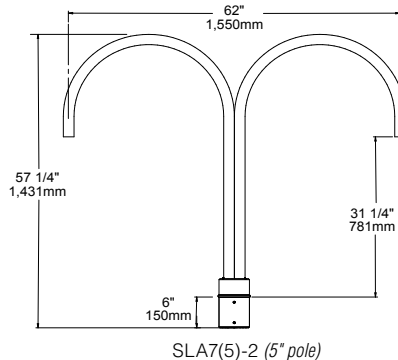
SLA7 (4" pole)



SLA7(5) (5" pole)



SLA7-2 (4" pole)



SLA7(5)-2 (5" pole)

SPECIFICATIONS

The arm shall be of one piece unitized aluminum construction, fully welded and assembled. The slip fitter shall be cast aluminum with an internal wireway and pole stop. The arm shall be prewired with a quick connector for easy installation.

The arm shall have a cast aluminum fitter welded to the top of the arm(s) for attaching the fixture. The fixture shall be mounted with three stainless steel bolts through the top of the arm fitter into the fixture. The attachment point shall have a silicone pad for sealing the fixture to arm connection.

The arm shall slip over a 4"/100mm or 5"/125mm diameter pole or tenon. The cast aluminum slip fitter shall have six stainless steel cup point set screws for securing the arm to the pole or tenon.

JOB _____

TYPE _____

NOTES _____

