

## FEATURES

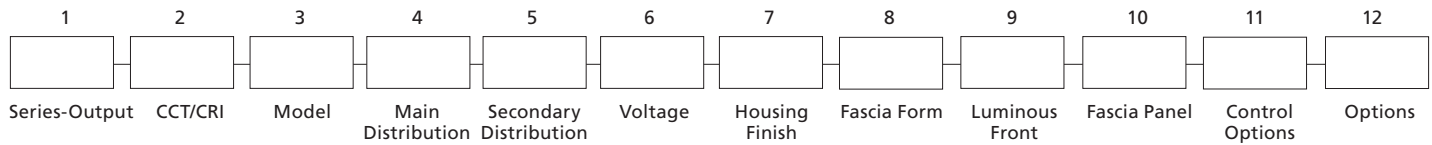
- Integral Battery Backup Option
- 360° Light Distribution
- RGBW or Static White Luminous Front Option
- IES Type I, II, III & IV Distributions
- Wall Graze, Spot and Pencil Distributions
- Multiple Fascia Options and Finishes
- 0-10V dimming
- IP-66 Housing & Optical System
- 120-277V
- 3000K, 4000K & 5000K CCT
- 10kA Surge Protection
- Fascia Forms F, E and T are ADA compliant for use in low mounting height applications (80 inches or less)
- IDA approved, downlight only, 3000K and warmer CCTs



Downlight only, 3000K and warmer CCTs



## ORDERING CODE



### SERIES-OUTPUT (Base)

CY1-15	15w, 1500 nominal lumens
CY1-25	25w, 2500 nominal lumens

### CCT-CRI

27K8	2700K, 80CRI
3K7	3000K, 70CRI
3K8	3000K, 80CRI
4K7	4000K, 70CRI
4K8	4000K, 80CRI
5K7	5000K, 70CRI

### MODEL (Light Engine)

1	DownLight Only
2	50/50 Down/Up, <b>Down/Up distributions must match</b>
3	90/10 Down/Up
4	25/25/25/25 Split, <b>Down/Up/Side distributions must match</b>
5	70/10/10/10 Split, <b>Top/Side distributions must match</b>

Contact factory for custom distributions, See Distribution Matrix on page 2 for restrictions.

### MAIN DISTRIBUTION (Down)

1	IES Type I
2	IES Type II
3	IES Type III
4	IES Type IV
SP	15° Spot/Column
WG	60° Wall Graze
1D	Type 1 Diffused
2D	Type 2 Diffused
3D	Type 3 Diffused
4D	Type 4 Diffused

### SECONDARY DISTRIBUTION (Up, Sides)

1	IES Type I
2	IES Type II
3	IES Type III
4	IES Type IV
SP	15° Spot/Column
WG	60° Wall Graze
PB*	Pencil Beam
1D	Type 1 Diffused
2D	Type 2 Diffused
3D	Type 3 Diffused
4D	Type 4 Diffused

\* PB distribution is available for 90/10 and 70/10/10/10 models only. Not all combinations are recommended. See Distribution Matrix on page 2 for restrictions.

### VOLTAGE

UNV	120-277V
-----	----------

### BASE HOUSING FINISH

#### Standard Colors

AGN	Antique Green
BL	Black
BLT	Matte Black
CRT	Corten
DB	Dark Bronze
DGN	Dark Green
GT	Graphite
LG	Light Grey
MAL	Matte Aluminum
MDB	Metallic Bronze
MG	Medium Grey
TT	Titanium
VBU	Verde Blue
WDB	Weathered Bronze
WH	Arctic White

#### Premium Colors

SFM	Seafoam
SHK	Shamrock
SPP	Salt and Pepper
WCP	Weathered Copper
RAL	Provide a RAL 4 digit color number
CUSTOM COLOR	Please provide color chip for matching

### FASCIA FORM

F	Flat
R	Radius/Curved
T	Triangle/Wedge
E	Rounded Edge
C	Circle/Curved
CB	Cylinder Balanced
CT	Cylinder Tall
CBM	Custom Building Material Mount Ghost Fascia

### LUMINOUS FRONT

BLANK	Standard None
RGBW	RGBW Luminous Front
LFSW	Static White Luminous Front

RGBW and LFSW luminous fronts are only available with open, four square and perforated fascia panels

### FASCIA PANEL

FPP	Full Panel Painted
FPS	Full Panel Stainless Steel
FPC	Full Panel Copper
OPP	Open Panel Painted
OPS	Open Panel Stainless Steel
OPC	Open Panel Copper
4PP	4-Square Panel Painted
4PS	4-Square Panel Stainless Steel
4PC	4-Square Panel Copper
PPP	Perforated Panel Painted
PPS	Perforated Panel Stainless Steel
PPC	Perforated Panel Copper

Flat and Radius Fascia forms only. Painted panels by default match base housing finish/color. Consult factory for custom panel finishes.

### CONTROL OPTIONS

PCU	Universal Button Photocell (120-277V)
-----	---------------------------------------

### OPTIONS

EM	Battery Backup Unit -20°C
SF	Single Fuse (120, 277)
DF	Double Fuse (208, 240)

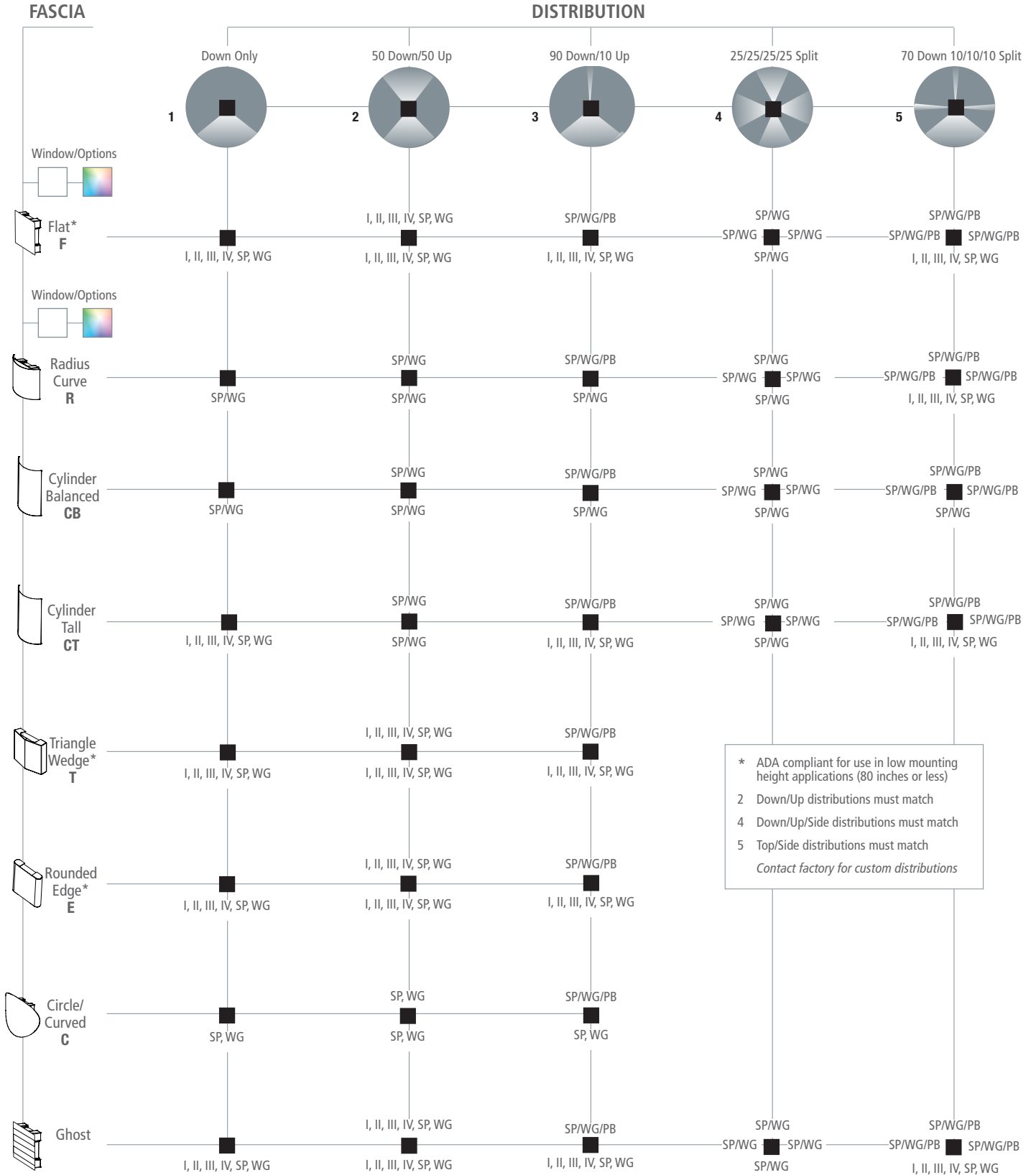
Battery Backup not available with Triangle and Rounded Edge Fascia Forms.



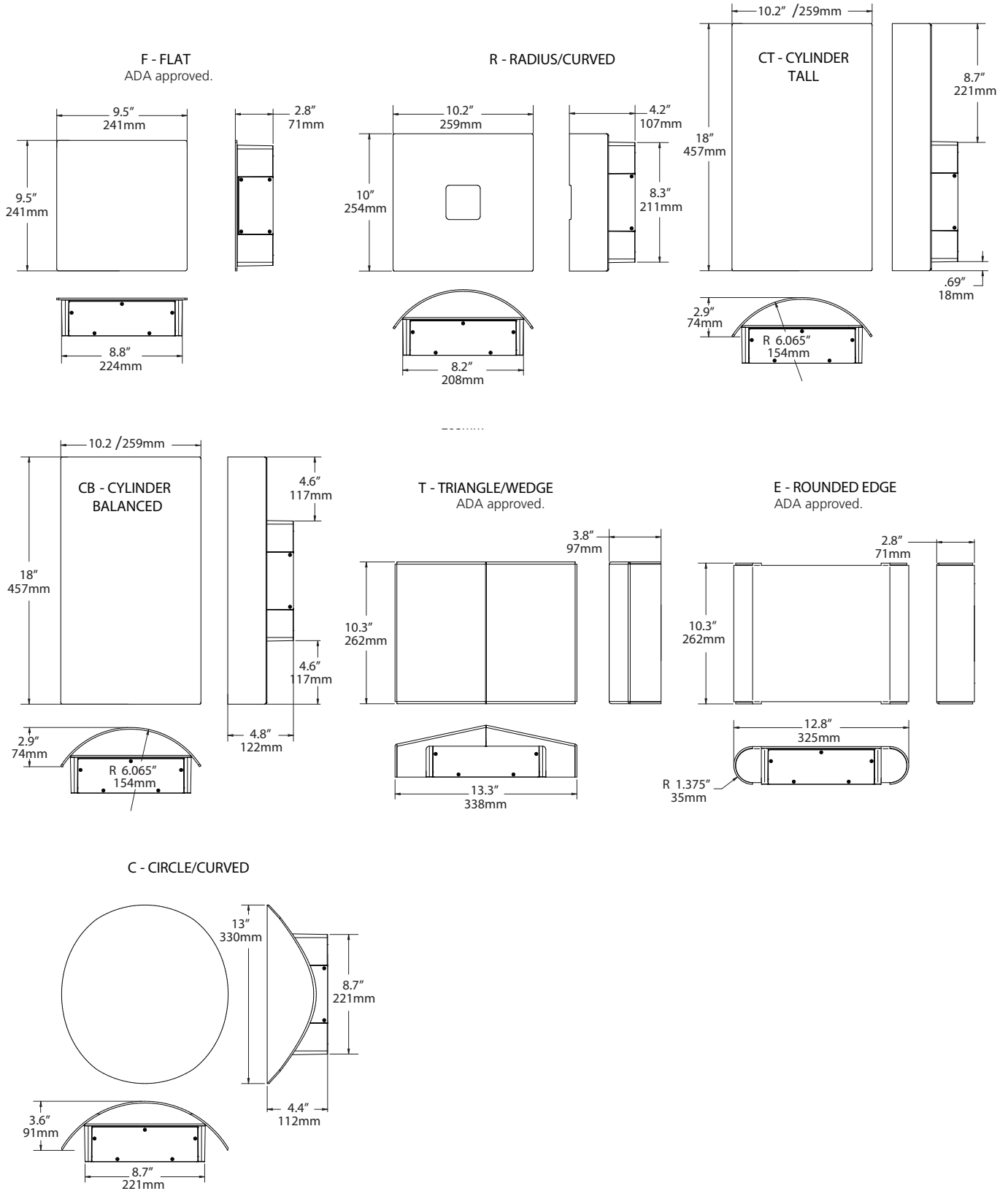
ARCHITECTURAL AREA LIGHTING  
17760 Rowland Street | City of Industry | CA 91748  
P 626.968.5666 | F 626.369.2695 | www.aal.net  
Copyright © 2017 | September 7, 2018 11:56 AM

JOB	_____
TYPE	_____
NOTES	_____

## Distribution Matrix



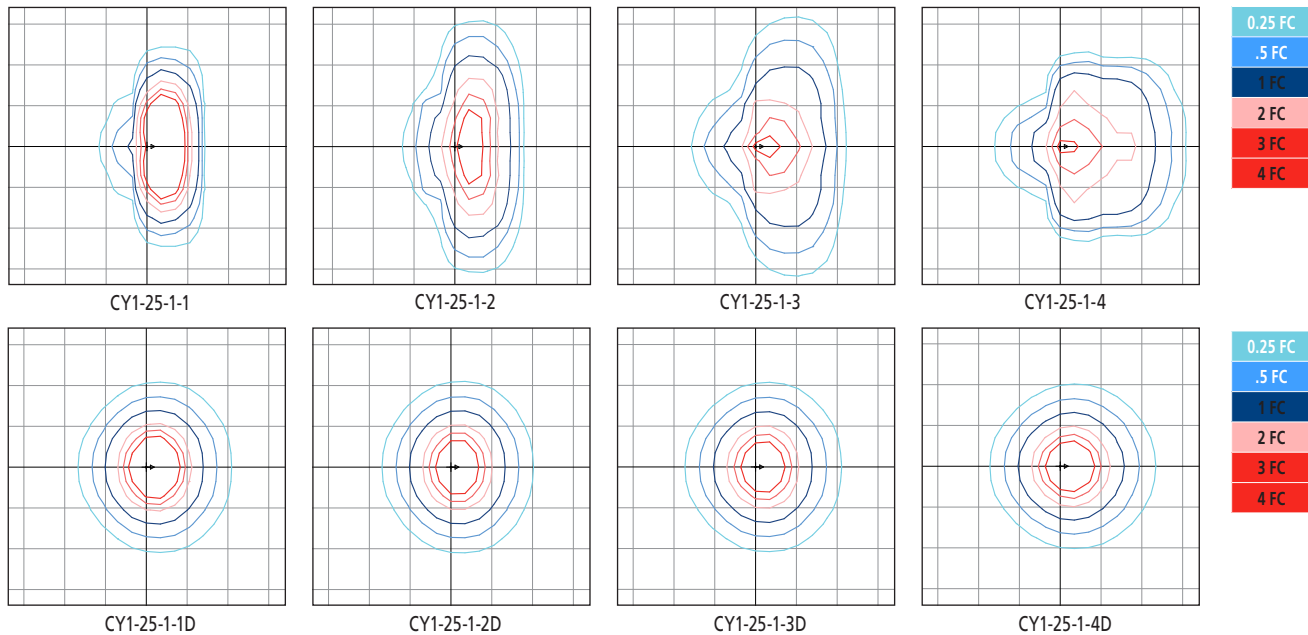
Drawings



LUMINAIRE PERFORMANCE

Downlight only			Configuration														
Nominal Output (Lm)	Average System Wattage	Distribution	Bright White (5000K)			Neutral White (4000K)			Warm White (3000K)								
			Delivered Lumens	Efficacy (Lm/W)	BUG Rating	Delivered Lumens	Efficacy (Lm/W)	BUG Rating	Delivered Lumens	Efficacy (Lm/W)	BUG Rating						
			5000K 70 CRI			4000K 70 CRI			3000K 70 CRI								
			B	U	G	B	U	G	B	U	G						
1,500	17	Type 1	1923	113	0	0	0	1928	113	0	0	0	1825	107	0	0	0
		Type 2	1726	102	0	0	0	1730	102	0	0	0	1638	96	0	0	0
		Type 3	1750	100	0	0	1	1755	103	0	0	1	1661	98	0	0	1
		Type 4	1757	103	0	0	0	1762	104	0	0	0	1668	98	0	0	0
		Wall Graze	1971	114	1	0	0	1976	116	1	0	0	1871	110	1	0	0
		Spot/Column	1792	103	2	0	0	1797	106	2	0	0	1701	100	2	0	0
		Type 1 Diffused	1629	96	1	0	0	1634	96	1	0	0	1547	91	1	0	0
		Type 2 Diffused	1573	93	1	0	1	1577	93	1	0	0	1493	88	1	0	0
		Type 3 Diffused	1425	84	1	0	0	1429	84	1	0	0	1353	80	1	0	0
		Type 4 Diffused	1602	94	1	0	1	1607	95	1	0	0	1521	89	1	0	0
2,500	26	Type 1	2517	96	0	0	0	2524	97	0	0	0	2390	92	0	0	0
		Type 2	2233	85	1	0	1	2239	86	1	0	1	2120	82	1	0	1
		Type 3	2229	85	1	0	1	2236	85	1	0	1	2117	80	1	0	1
		Type 4	2319	88	1	0	1	2325	89	1	0	1	2201	85	1	0	1
		Wall Graze	2744	104	2	0	0	2752	106	2	0	0	2605	100	2	0	0
		Spot/Column	2471	94	2	0	0	2478	95	2	0	0	2346	90	2	0	0
		Type 1 Diffused	2344	89	1	0	1	2350	90	1	0	1	2225	86	1	0	1
		Type 2 Diffused	2062	79	1	0	1	2068	80	1	0	1	1958	75	1	0	1
		Type 3 Diffused	2050	78	1	0	1	2056	79	1	0	1	1946	75	1	0	1
		Type 4 Diffused	2123	80	1	0	1	2129	82	1	0	1	2016	78	1	0	1

ISOLINE TEMPLATES 10' Mounting Height, 10' Grid Spacing



## ELECTRICAL CHARACTERISTICS

Lumen Package	System Wattage (W)	Line Voltage		Input				Min. Power Factor	Max THD (%)	Dimming Range	Source/Sink Current (mA)		Absolute voltage range on 0-10v (+) Purple	
		VAC	Hz	120	277	347	480				Min.	Max.	Min.	Max.
1,500	17	120	50/60	0.1	0.1	0.0	0.0	>0.9	20	10% to 100%	0 mA	1 mA	0V	10V
2,500	26			0.2	0.1	0.1	0.1							

## TM-21 LIFETIME CALCULATION (500mA)

Lumen Package	Ambient Environment °C	Projected Lumen Maintenance (Khrs)						Reported L70
		15	25	50	60 (TM-21)	100		
2,500	25	98%	97%	94%	92%	87%	>60Khrs.	
	40	95%	93%	89%	87%	80%		



JOB \_\_\_\_\_  
 TYPE \_\_\_\_\_  
 NOTES \_\_\_\_\_

**SPECIFICATIONS**

**HOUSING**

- Main housing shroud shall be of fabricated 5052-H32 aluminum alloy
- Housing mounting interface shall have a stamped silicone gasket.
- Luminaire housing shall be free of any visible heat fins, hardware or fasteners.
- Bracketry and hardware shall be stainless steel.

**OPTICAL ARRAY**

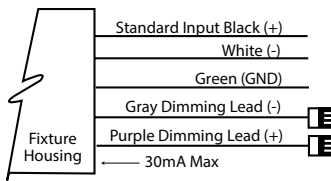
- LEDs shall be mounted to a metal printed circuit board assembly (MCPCB) with a uniform conformal coating over the panel surface and electrical features.
- Optical lenses shall be clear injection molded PMMA acrylic.
- Optical array shall be recessed in order to shield each LED optic across the length of the aperture.
- Optical array shall be sealed for IP66 rating.
- Secondary lens is impact resistant 5/32" tempered glass.

**ELECTRICAL**

- Drivers shall be in direct contact with the die-cast aluminum housing across the entire surface area of the widest face for maximum thermal transfer.
- "Thermal Shield", primary side, thermister provides protection for the sustainable life of LED module and electronic components.
- Drivers shall have greater than a 0.9 power factor, less than 20% harmonic distortion, and be suitable for operation in -40°C to 40°C ambient environments
- Luminaires shall have integral surge protection that shall be U.L. recognized and have a surge current rating of 10,000 Amps using the industry standard 8/20uSec wave and surge rating of 372J. Surge protection device shall be wired in series.
- Drivers shall be U.L. recognized.
- Drivers shall not be compatible with current sourcing dimmers, consult factory for current list of known compatible dimming systems approved dimmers include Lutron Diva AVTV, Lutron Nova NFTV and NTFTV.
- Integral battery backup provides emergency path of egress lighting for the required 90 minutes for -20°C ambient environments.

**SPECIFICATIONS**

- Luminaire shall be capable of operating at 100% brightness in a 40°C environment. Both driver and optical array shall have integral thermal protection that will dim the luminaire upon detection of temperatures in excess of 85°C.
- Luminaires not configured with a control system shall be provided with 0-10 purple and gray dimming leads.



**CONTROLS**

- Button photocontrol for dusk to dawn energy savings
- PC12 for 120V, PC20 for 208V, PC24 for 240V, PC27 for 277V
- Photocell is factory installed inside the housing with a fully gasketed sensor on the side wall. For multiple fixture mountings, one fixture is supplied with a photocell to operate the others.

**BLUETOOTH®**

- RGBW option includes integral Bluetooth module, built into driver, that permits the adjustment of luminous front color when paired with Hubbell Remote App via cellular/tablet device.
- Bluetooth Low Energy (BLE) or Bluetooth Smart compatible for both iOS (iOS8 and forward) and Android (Gingerbread and forward) handheld software applications. Compatible with phones and tablets.
- Free Bluetooth Apps are available for Apple iOS and Google Android mobile devices and are downloadable via the internet at Apple App Store or Google Play.

**MOUNTING AND INSTALLATION**

- JUNCTION BOX: Standard with zinc-plated, quick-mount junction box plate that mounts directly to 4" J-Box
- Mounting plate features a one-piece EPDM gasket on back side of plate to firmly seal fixture to wall surface, forbidding entry of moisture and particulates.
- Fixture attaches by two Allen-head hidden fasteners for tamper resistance.
- Optional mounting arrangements utilize a die-cast mounting adaptor to allow for surface conduit and through branch wiring.

**SERVICING**

- Housing shall be able to hang freely in an open service position for inspection of internal wire connections. Once in service position, the housing shall be able to be removed for service by lifting the assembly up off the rear mounting plate and disconnecting the wiring plugs.
- Driver assembly shall be mounted to a prewired internal tray with quick disconnects for removal.

**FINISH**

- Luminaire finish shall consist of a five stage pretreatment regimen with a polymer primer sealer, oven dry off, and top coated with a thermoset super TGIC polyester powder coat finish.
- Luminaire finish shall meet the AAMA 605.2 performance specification which includes passing a 3000 hour salt spray test for corrosion resistance.

**CERTIFICATION**

- Luminaire shall be listed with UL for outdoor, wet location use, UL1598, UL 8750 and Canadian CSA Std. C22.2 no.250.
- IP66 rated assembly
- IDA approved, 3000K and warmer CCTs only.
- DesignLights Consortium® (DLC) qualified. Please refer to the DLC website for specific product qualifications at [www.designlights.org](http://www.designlights.org).
- ANSI C136.31-2010 4G Vibration tested and compliant.
- Complies with "Americans with Disabilities Act" or "ADA" on select versions for low mounting height applications (fixtures extend maximum of 4 inches from wall for mounting heights of 80 inches or less).

**WARRANTY / TERMS AND CONDITIONS OF SALE**

Download:  
[Five year limited warranty \(for more information visit: http://www.hubbellighting.com/resources/warranty/\)](http://www.hubbellighting.com/resources/warranty/)

The Bluetooth® word mark and logos are registered trademarks owned by Bluetooth SIG, Inc. and any use of such marks by AAL is under license. Other trademarks and trade names are those of their respective owners. Apple, the Apple logo, iPad, iPhone, and iPod Touch are trademarks of Apple Inc., registered in the U.S. and other countries. App Store is a service mark of Apple Inc. Google Play is a trademark of Google Inc.



JOB	_____
TYPE	_____
NOTES	_____