

# DB3 – Decorative Pole

TYPE

## 4" & 5" ROUND (RD) & FLUTED (FL) DECORATIVE BASE



DB3

| 1. BASE | 2. POLE | 3. OAH | 4. COLOR | 5. OPTIONS/ACCESSORIES |  |  |  |  |  |  |
|---------|---------|--------|----------|------------------------|--|--|--|--|--|--|
|         |         |        |          |                        |  |  |  |  |  |  |

### MAXIMUM ALLOWABLE EPA (MPH)

| 1. BASE | 2. POLE  | 3. OAH     | SHAFT         | WT  | 85   | 90   | 100  | 110  | 120  | 130  | 140  | 150  |
|---------|----------|------------|---------------|-----|------|------|------|------|------|------|------|------|
| DB3     | 4R10-125 | 10' (3.1m) | 4" RD x .125" | 73  | 19.4 | 17.1 | 13.5 | 10.8 | 8.9  | 7.4  | 6.3  | 5.5  |
| DB3     | 4R12-125 | 12' (3.7m) | 4" RD x .125" | 77  | 15.3 | 13.4 | 10.5 | 8.3  | 6.7  | 5.6  | 4.7  | 4.0  |
| DB3     | 4R14-125 | 14' (4.3m) | 4" RD x .125" | 81  | 12.3 | 10.7 | 8.2  | 6.3  | 5.0  | 4.1  | 3.4  | 2.9  |
| DB3     | 4R16-125 | 16' (4.9m) | 4" RD x .125" | 84  | 10.0 | 8.6  | 6.4  | 4.8  | 3.6  | 2.9  | 2.4  | 2.0  |
| DB3     | 4R10-226 | 10' (3.1m) | 4" RD x .226" | 85  | 23.8 | 21.0 | 16.7 | 13.5 | 11.1 | 9.3  | 8.0  | 6.9  |
| DB3     | 4R12-226 | 12' (3.7m) | 4" RD x .226" | 92  | 19.2 | 16.9 | 13.3 | 10.6 | 8.6  | 7.2  | 6.1  | 5.3  |
| DB3     | 4R14-226 | 14' (4.3m) | 4" RD x .226" | 98  | 15.9 | 13.9 | 10.8 | 8.4  | 6.8  | 5.6  | 4.7  | 4.0  |
| DB3     | 4R16-226 | 16' (4.9m) | 4" RD x .226" | 104 | 12.4 | 12.3 | 9.4  | 7.3  | 5.7  | 4.7  | 4.0  | 3.3  |
| DB3     | 4R18-226 | 18' (5.5m) | 4" RD x .226" | 110 | 11.7 | 10.0 | 7.5  | 5.6  | 4.3  | 3.5  | 2.9  | 2.4  |
| DB3     | 4R20-226 | 20' (6.2m) | 4" RD x .226" | 116 | 9.5  | 8.1  | 5.9  | 4.2  | 3.1  | 2.4  | 1.9  | 1.6  |
| DB3     | 4F10-188 | 10' (3.1m) | 4" FL x .188" | 80  | 22.1 | 19.5 | 15.4 | 12.4 | 10.2 | 8.5  | 7.1  | 6.1  |
| DB3     | 4F12-188 | 12' (3.7m) | 4" FL x .188" | 86  | 17.6 | 15.4 | 12.1 | 9.6  | 7.7  | 6.4  | 5.3  | 4.4  |
| DB3     | 4F14-188 | 14' (4.3m) | 4" FL x .188" | 91  | 14.3 | 12.5 | 9.6  | 7.5  | 5.9  | 4.8  | 3.9  | 3.2  |
| DB3     | 4F16-188 | 16' (4.9m) | 4" FL x .188" | 96  | 11.7 | 10.1 | 7.6  | 5.8  | 4.4  | 3.5  | 2.7  | 2.2  |
| DB3     | 4F18-188 | 18' (5.5m) | 4" FL x .188" | 101 | 9.4  | 8.0  | 5.6  | 4.3  | 3.1  | 2.3  | 1.7  | 1.2  |
| DB3     | 4F20-188 | 20' (6.2m) | 4" FL x .188" | 106 | 7.4  | 6.2  | 4.3  | 2.9  | 1.9  | 1.2  | 0.7  | 0.4  |
| DB3     | 5R14-188 | 14' (4.3m) | 5" RD x .188" | 100 | 32.3 | 28.5 | 22.7 | 18.6 | 15.5 | 13.1 | 11.2 | 9.6  |
| DB3     | 5R16-188 | 16' (4.9m) | 5" RD x .188" | 106 | 27.3 | 23.9 | 19.0 | 15.5 | 12.8 | 10.8 | 9.2  | 7.9  |
| DB3     | 5R18-188 | 18' (5.5m) | 5" RD x .188" | 113 | 22.8 | 19.8 | 15.6 | 12.7 | 10.5 | 8.8  | 7.4  | 6.4  |
| DB3     | 5R20-188 | 20' (6.2m) | 5" RD x .188" | 120 | 18.9 | 16.4 | 12.8 | 10.3 | 8.5  | 7.0  | 5.9  | 5.0  |
| DB3     | 5R22-188 | 22' (6.8m) | 5" RD x .188" | 127 | 15.8 | 13.5 | 10.4 | 8.3  | 6.8  | 5.6  | 4.7  | 3.9  |
| DB3     | 5R24-188 | 24' (7.4m) | 5" RD x .188" | 134 | 13.1 | 11.1 | 8.4  | 6.6  | 5.3  | 4.3  | 3.6  | 3.0  |
| DB3     | 5R25-188 | 25' (7.7m) | 5" RD x .188" | 138 | 11.9 | 10.0 | 7.5  | 5.9  | 4.7  | 3.8  | 3.1  | 2.5  |
| DB3     | 5R14-250 | 14' (4.3m) | 5" RD x .250" | 113 | 35.7 | 31.5 | 25.2 | 20.6 | 17.2 | 14.5 | 12.4 | 10.7 |
| DB3     | 5R16-250 | 16' (4.9m) | 5" RD x .250" | 122 | 30.5 | 26.8 | 21.3 | 17.4 | 14.5 | 12.2 | 10.4 | 9.0  |
| DB3     | 5R18-250 | 18' (5.5m) | 5" RD x .250" | 131 | 25.8 | 22.5 | 17.8 | 14.5 | 12.0 | 10.1 | 8.6  | 7.3  |
| DB3     | 5R20-250 | 20' (6.2m) | 5" RD x .250" | 139 | 21.8 | 18.9 | 14.8 | 12.0 | 9.9  | 8.3  | 7.0  | 6.0  |
| DB3     | 5R22-250 | 22' (6.8m) | 5" RD x .250" | 148 | 18.5 | 15.9 | 12.4 | 9.9  | 8.1  | 6.7  | 5.7  | 4.8  |
| DB3     | 5R24-250 | 24' (7.4m) | 5" RD x .250" | 157 | 15.7 | 13.4 | 10.3 | 8.2  | 6.6  | 5.5  | 4.5  | 3.8  |
| DB3     | 5R25-250 | 25' (7.7m) | 5" RD x .250" | 161 | 14.5 | 12.3 | 9.3  | 7.4  | 6.0  | 4.9  | 4.0  | 3.4  |
| DB3     | 5F12-188 | 12' (3.7m) | 5" FL x .188" | 94  | 25.4 | 22.3 | 17.8 | 14.7 | 12.1 | 10.0 | 8.6  | 7.2  |
| DB3     | 5F14-188 | 14' (4.3m) | 5" FL x .188" | 100 | 21.4 | 18.7 | 14.8 | 12.1 | 10.0 | 8.2  | 6.9  | 5.8  |
| DB3     | 5F16-188 | 16' (4.9m) | 5" FL x .188" | 106 | 17.8 | 15.5 | 12.1 | 9.8  | 8.0  | 6.6  | 5.4  | 4.5  |
| DB3     | 5F18-188 | 18' (5.5m) | 5" FL x .188" | 113 | 14.5 | 12.5 | 9.7  | 7.8  | 6.3  | 5.1  | 4.1  | 3.3  |
| DB3     | 5F20-188 | 20' (6.2m) | 5" FL x .188" | 120 | 11.8 | 10.0 | 7.6  | 6.1  | 4.8  | 3.7  | 3.0  | 2.3  |
| DB3     | 5F22-188 | 22' (6.8m) | 5" FL x .188" | 127 | 9.4  | 7.9  | 5.8  | 4.6  | 3.9  | 2.6  | 2.0  | 1.4  |
| DB3     | 5F24-188 | 24' (7.4m) | 5" FL x .188" | 134 | 7.4  | 6.1  | 4.3  | 3.3  | 2.4  | 1.7  | 1.1  | 0.6  |
| DB3     | 5F25-188 | 25' (7.7m) | 5" FL x .188" | 138 | 6.6  | 5.2  | 3.6  | 2.7  | 1.9  | 1.2  | 0.7  | 0.3  |

Note: Overall height is measured to top of pole.

### 2. COLOR

#### Standard Color

|     |                  |
|-----|------------------|
| WH  | Arctic White     |
| BL  | Black            |
| BLT | Matte Black      |
| DB  | Dark Bronze      |
| DGN | Dark Green       |
| TT  | Titanium         |
| WDB | Weathered Bronze |
| MDB | Bronze Metallic  |
| VBU | Verde Blue       |
| CRT | Corten           |
| MAL | Matte Aluminum   |
| MG  | Medium Grey      |
| AGN | Antique Green    |
| LG  | Light Grey       |

#### Premium Color

|        |                   |
|--------|-------------------|
| SHK    | Shamrock          |
| SPP    | Salt and Pepper   |
| SFM    | Seafoam           |
| WCP    | Weathered Copper  |
| RAL    | RAL 4 digit Color |
| CUSTOM | Custom Color      |

### 3. OPTIONS / ACCESSORIES

- AD5 \* (Used only with standard AAL arms and post top mount fixtures that slip over a 4" O.D. pole. The AD5 is a cast aluminum adapter that slips into the arm or over a 5"/125mm O.D. pole.)
- FH (Flag holder. Specify location on pole)
- FS1 (Single weatherproof fuse holder. Fuse by others.)
- FS2 (Double weatherproof fuse holder. Fuse by others.)
- LR \*\* (Ladder rest. Slips over a 4" O.D. pole.)
- PCA-T\*\* (Rotatable photocell housing. The housing slips over a 4"/100mm O.D. pole. A fixture slips over the 4"/100mm O.D. tenon. Includes an internal twist lock receptacle, and an access cover with integral lens and stainless steel tether. Adds 5"/125mm to the overall height of the pole/fixture assembly. Prewired on the load side and line side for easy installation. Photocell by others.)
- PCR (Low profile twist lock photocell receptacle with cast pole cap top. Secures to the top of the pole with three stainless steel set screws. Photocell by others.)
- PLT \*\* (Plant Hanger. For 4" O.D. poles. (Specify location on pole))
- RBC (Cast aluminum receptacle housing, integrally welded to the pole. Includes a NEC approved clear weatherproof cover. Does not include a receptacle or internal wiring.)

\* For 5" O.D. Only; \*\* For 4" O.D. Only

### SPECIFICATIONS

Base shall be cast aluminum #356 alloy, free of any porosity, foreign materials, or cosmetic fillers. Base casting shall be heat treated to a T-6 condition, and of uniform wall thickness, with no warping or mold shifting.

### WARNINGS

Caution must be exercised in the selection of a design wind speed when the pole is to be installed in a special wind region (as indicated by the wind map) or in an area where wind speed is unpredictable.

AAL recommends consulting a local engineer when the pole is to be installed in an area that may be subject to extreme weather and exposure. Poles installed on structures such as buildings and bridges may be subjected to vibration, oscillations, and other fatigue effects which are not covered by the AAL warranty. The use of banners or other appendages can severely affect the loading of a pole. No banner or other appendage should be attached to an AAL pole unless approved by AAL.

If the products are to be used on an existing foundation or on other structures, the customer assumes all responsibility for the structural integrity of the existing foundation, anchorage or structures and all the consequences arising therefrom.

### CAUTION

Poles should never be erected without the luminaire installed.

Anchor bolts shall be hot dip galvanized steel. Six galvanized hex nuts and flat washers, and a bolt circle template shall be provided. Anchor bolts for poles 14 feet high or less are 3/4" x 24" x 3". Anchor bolt for poles more than 14 feet high are 1" x 36" x 4".

### CERTIFICATION

Certified UL 1598 in accordance with Article 410 of ANSI/NFPA 70, National Electrical Code.

|       |       |
|-------|-------|
| JOB   | _____ |
| TYPE  | _____ |
| NOTES | _____ |
|       | _____ |

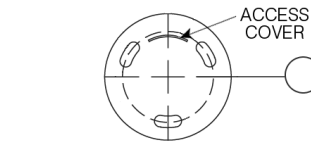
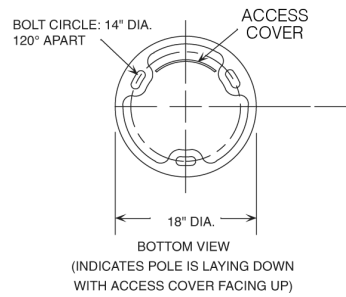
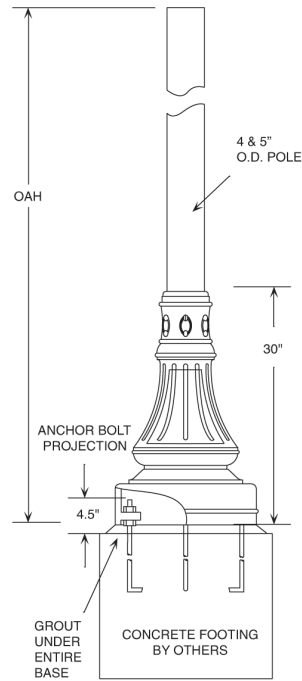


# DB3 – Decorative Pole

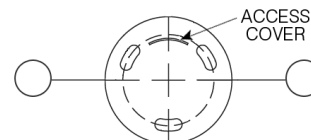
TYPE

## 4" & 5" ROUND (RD) & FLUTED (FL) DECORATIVE BASE

### DIMENSIONS



SINGLE FIXTURE MOUNTING ORIENTATION  
BOTTOM VIEW  
(INDICATES POLE IS LAYING DOWN WITH ACCESS COVER FACING UP)



DOUBLE FIXTURE MOUNTING ORIENTATION  
BOTTOM VIEW  
(INDICATES POLE IS LAYING DOWN WITH ACCESS COVER FACING UP)