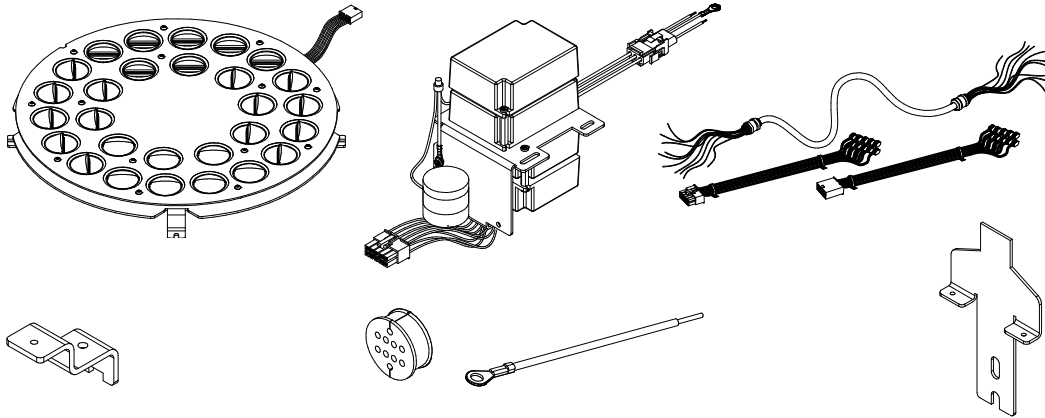


## FEATURES

- DLC QPL Listed
- Reliable, uniform, glare free illumination
- Types II, III, IV, V and custom distributions
- 3000K, 4200K, 5100K CCT
- 0-10V dimming capable drivers
- Integral surge suppression
- LifeShield™ thermal protection
- 13 standard powder coat finishes

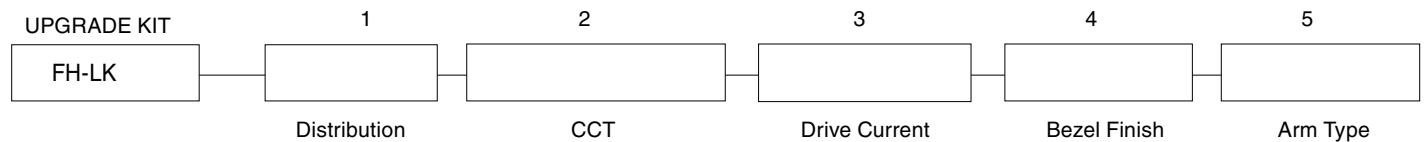
## CONTENTS

- IP Rating: 66



ITEM #	QTY	PART #	DESCRIPTION
1	1	-	FLEX MICROCORE 56LED OPTICAL ARRAY
2	1	-	FLEX MICROCORE 56LED DRIVER ASSEMBLY (FIXED ARM)
3	1	93046670	CNDT HRNS 10-CNDCTOR-52 1/4in OAL
4	4	93044354	BRKT-MNT-56LED-FLEX
5	10	A84346	SCR-10-24X5/8 PHH PHMS SS
6	4	A84104	WSHR-No. 10 LK EXT TOOTH SS
7	1	82246	GASKET MOLDED GROMMET (10 HOLE)
8	1	A74034-12	WIRE-14GA LEAD 12in GRND SF2
9	1	A84409	SCR-8-32 GROUND-DEROSA No. B628
10	1	93046629	BRKT-DRIVER SPPRT FA-56LED-FLEX
11	3	93035846	CONN-WAGO 2-WIRE 222-412
12	1	93046643	INTS-(FLEX-56LED) UPGRADE-FIXED ARM

## ORDERING INFORMATION



### 1. DISTRIBUTION

MicroCore Upgrade Kit *Precision aimed optics*

- T2-56LED
- T3-56LED
- T4-56LED
- T5-56LED
- TL-56LED
- TR-56LED

### 2. COLOR TEMPERATURE

- 3K      4K      5K

### 3. DRIVE CURRENT

- 700      450

### 4. BEZEL FINISH/COLOR

- |                             |                                   |
|-----------------------------|-----------------------------------|
| WH <i>Arctic White</i>      | VBU <i>Verde Blue</i>             |
| BL <i>Black</i>             | CRT <i>Corten</i>                 |
| BLT <i>Matte Black</i>      | MAL <i>Matte Aluminum</i>         |
| DB <i>Dark Bronze</i>       | MG <i>Medium Grey</i>             |
| DGN <i>Dark Green</i>       | AGN <i>Antique Green</i>          |
| TT <i>Titanium</i>          | LG <i>Light Grey</i>              |
| WDB <i>Weathered Bronze</i> | RAL <i>Premium Color</i>          |
| MDB <i>Bronze Metallic</i>  | CUSTOM * * <i>Contact Factory</i> |

### 5. OPTIONS

HSS (*House Side shield for Type 4*)

### 6. ARM TYPE

- PT (*Post top arm*)
- WS (*Wall mount–short curved/straight arm*)
- WL (*Wall mount–long curved/straight arm*)
- WV (*Wall mount–very short straight arm*)
- FA (*Fixed arm*)



ARCHITECTURAL AREA LIGHTING  
 16555 East Gale Ave. | City of Industry | CA 91745  
 P 626.968.5666 | F 626.369.2695 | www.aal.net  
 Copyright © 2014 Rev 2.15

JOB \_\_\_\_\_  
 TYPE \_\_\_\_\_  
 NOTES \_\_\_\_\_

## LUMINAIRE PERFORMANCE

Optical System	Secondary Lens or Shield	Distribution	Light Engine	Ordering Code												Drive Current (ma)	System Watts			
				3K			4K			5K										
				Delivered Lumens	Efficacy (lm/w)	Bug Rating	Delivered Lumens	Efficacy (lm/w)	Bug Rating	Delivered Lumens	Efficacy (lm/w)	Bug Rating								
MicroCore	No Lens (Standard)	TYPE 2	T2-56LED	7641	58	2	0	2	9444	71	2	0	2	10611	80	2	0	2	700	132
		TYPE 3	T3-56LED	7692	58	2	0	2	9510	72	2	0	2	10684	81	2	0	2		
		TYPE 4	T4-56LED	7520	57	1	0	2	9263	70	1	0	2	10477	79	1	0	2		
		TYPE 5	T5-56LED	7962	60	3	0	1	9843	74	3	0	2	11059	84	3	0	2		
		45° LEFT	TL-56LED	7560	57	1	0	2	9053	68	1	0	2	9949	75	1	0	2		
		45° RIGHT	TR-56LED	7560	57	1	0	2	9053	68	1	0	2	9949	75	1	0	2		
	House Side Shield	TYPE 4	T4-56LED-...-HSS	5649	43	0	0	2	6764	51	0	0	2	7433	56	0	0	2	450	84
	No Lens (Standard)	TYPE 2	T2-56LED	4890	58	1	0	1	6044	72	2	0	2	6791	81	2	0	2		
		TYPE 3	T3-56LED	4923	59	1	0	1	6086	72	1	0	2	6838	81	2	0	2		
		TYPE 4	T4-56LED	4813	57	1	0	2	5928	71	1	0	2	6706	80	1	0	2		
		TYPE 5	T5-56LED	5096	61	3	0	1	6300	75	3	0	1	7078	84	3	0	1		
		45° LEFT	TL-56LED	4839	58	1	0	2	5794	69	1	0	2	6367	76	1	0	2		
	45° RIGHT	TR-56LED	4839	58	1	0	2	5794	69	1	0	2	6367	76	1	0	2			
	House Side Shield	TYPE 4	T4-56LED-...-HSS	3616	43	0	0	2	4329	52	0	0	2	4757	57	0	0	2		

\* DesignLights Consortium® Qualified Product



## ELECTRICAL CHARACTERISTICS

Optical System	Ordering Code	Driver									Dimming							
		LED Drive mA	System Watts	Line Voltage		Amps AC		Min. Power Factor	Max THD (%)	Operating Temp. Range	Dimming Range	Source current out of 0-10V purple wire			Absolute voltage range on 0-10V (+) purple wire			
				VAC	HZ	120	277					Min	Typical	Max	Min	Typical	Max	
MicroCore	56LED	700	700	132	120-277	50/60	1.1	0.48	≥9	20	-30°C TO +40°C	10% TO 100%	0 MA	-	8 mA	-2.0 V	-	+15 V
		450	450	84			0.71	0.31										

## LED COLOR

Consult factory for Amber, Turtle Friendly, Gulf Coast and Observatory applications.

	Ordering Code		
	3K	4K	5K
CCT Average	3000K	4200K	5100K
CCT Range	2800K – 3175K	3800K – 4600K	4600K – 5600K
CRI Minimum	≥ 80	≥ 70	≥ 70
S/P Ratio	1.33	1.66	1.78

## TM-21 LIFETIME CALCULATION

Optical System	Ordering Code	Ambient Environment °C	Projected Lumen Maintenance (% vs. Khrs)					Reported L70
			15	25	50	60	100	
MicroCore	56LED	15	93	91	87	85	78	>60Khrs
		25	93	91	87	85	78	



ARCHITECTURAL AREA LIGHTING  
 16555 East Gale Ave. | City of Industry | CA 91745  
 P 626.968.5666 | F 626.369.2695 | www.aal.net  
 Copyright © 2014 Rev 2.15

JOB	_____
TYPE	_____
NOTES	_____

## SPECIFICATIONS

### UPGRADE KIT CONSTRUCTION

- Optical components shall be, sealed with continuous silicone rubber gaskets.
- All hardware shall be stainless steel.
- Optical bezel finish shall match the luminaire housing.

### OPTICAL

- Patent pending MicroCore™ LED modules shall independently aim each light emitting diode (LED) in both horizontal rotation and vertical tilt angle.
- LEDs shall be mounted to a metal printed circuit board assembly (PCBA) with a uniform conformal coating over the panel surface and electrical features.
- LED optics shall be clear injection molded PMMA acrylic.
- MicroCore™ PCBA and optic shall be sealed to a die-cast anodized aluminum heat sink with an injection molded silicone rubber gasket. IP66.

### ELECTRICAL

- Upgrade kits shall have integral surge protection that shall be U.L. recognized and have a surge current rating of 10,000 Amps using the industry standard 8/20uSec wave and surge rating of 372J.
- Drivers shall be U.L recognized with an inrush current maximum of <20.0 Amps maximum at 230VAC.
- Drivers shall not be compatible with current sourcing dimmers, consult factory for current list of known compatible dimming systems, approved dimmers include Lutron Diva AVTV, Lutron Nova NFTV and NTFTV.
- LifeShield™ shall be provided with all configurations for added protection in the event of abnormally excessive high ambient temperature conditions.

### SERVICING

- Upgrade kit shall have the driver and surge suppressor mounted to a prewired tray with quick disconnects.

### FINISH

- Bezel finish shall consist of a five stage pretreatment regimen with a polymer primer sealer, oven dry off, and top coated with a thermoset super TGIC polyester powder coat finish.
- Bezel finish shall meet the AAMA 605.2 performance specification which includes passing a 3000 hour salt spray test for corrosion resistance.

### CERTIFICATION

- Upgrade kit shall be listed with ETL for outdoor, wet location use, UL1598, UL 8750 and Canadian CSA Std. C22.2 no.250.

### WARRANTY / TERMS AND CONDITIONS OF SALE

Download:  
<http://www.hubbelling.com/resources/warranty/>

