

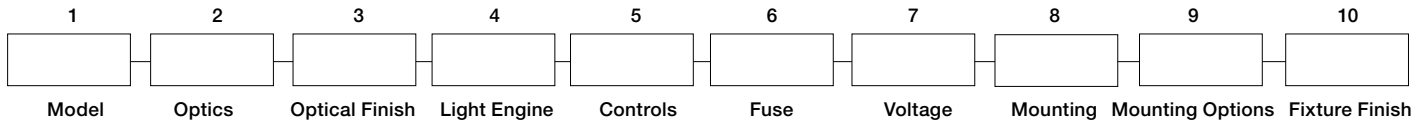
FEATURES

- Integral Motion Sensor
- wiScape enabled
- IDA approved
- 20kV/10kA surge protection
- ANSI C136.41 receptacle
- IES Type II, III and IV distributions
- 3000K, 4000K, 5000K CCT
- Integral thermal protection
- 0-10V dimming ready
- IP66 optical system
- 120-277, 347 and 480VAC input
- Staggered twin mounting
- ANSI C136.31-2010 4G Rated



3000K and warmer CCTs only  
M0-XX30 configurations only

ORDERING CODE



1. MODEL

4" wide luminaire

- K41 Single fixture
- K42 Two fixtures 180° apart
- K43 Three fixtures 90° apart
- K44 Four fixtures 90° apart

2. OPTICS

Distribution Type, see "Luminaire Performance" on page 3

- T2 IES Type II
- T3 IES Type III
- T4 IES Type IV

3. OPTICAL FINISH

Standard white or may choose one. See 'Luminaire Performance' on page 3 for detail.

- MO Optics in Matte Black finish
- FO Optics in fixture finish

4. LIGHT ENGINE

Lumen package, see 'Luminaire Performance' on page 3 for detail

- 7050 5000K CCT, CRI 70, 64 watts
- 7040 4000K CCT, CRI 70, 64 watts
- 7030 3000K CCT, CRI 70, 64 watts
- 5050 5000K CCT, CRI 70, 46 watts
- 5040 4000K CCT, CRI 70, 46 watts
- 5030 3000K CCT, CRI 70, 46 watts

560nm monochromatic amber and or custom lumen package available by request. <sup>1</sup>

5. CONTROL

Options

- MCPCR 7-pin Receptacle
- WIR wiScape connectivity
- WIRSC wiScape + motion sensor
- SCP Motion sensor + Photocell <sup>4</sup>
- SWP SiteSync Pre-commissioned <sup>5</sup>
- SWPM SiteSync Pre-commissioned + Motion Sensor<sup>6</sup>

Accessories:

- SCPREMOTE Handheld commissioning tool <sup>4</sup>
- SWUSB SiteSync loaded on USB flash drive (Windows® operating system only) <sup>6</sup>
- SWTAB SiteSync Windows® based Tablet <sup>6</sup>
- SWBRG SiteSync Wireless Bridge Node <sup>6</sup>
- SW7PR SiteSync 7-Pin Module
- NXOFM-1R1D-UNV NX 7-pin Module

6. FUSE

(may choose one)

- SF 120, 277, 347 Volt input
- DF 208, 240, 480 Volt input

7. VOLTAGE

120-277VAC input standard or may choose one

- 347 347VAC input
- 480 480VAC input

8. MOUNTING

Integral Pole

- PS410-125 10' luminaire height.
- PS412-125 12' luminaire height.
- PS414-125 14' luminaire height.
- PS416-125 16' luminaire height.
- PS418-125 18' luminaire height.
- PS420-125 20' luminaire height.

Tenon Mount

- TA23 Slips over a 2 3/8" / 60mm  
Ø x 4" / 102mm tall tenon

Side Mount

- SMK Mounts to the side of a square pole, K41 only

Wall Mount

- WMK K41 only

9. MOUNTING OPTIONS

Twin mount at staggered heights

Mounting holes for a fixture at 180°, K41-... PS4... only, may choose one

- TS8 8' from bottom
- TS10 10' from bottom
- TS12 12' from bottom
- TS14 14' from bottom
- TS16 16' from bottom
- TS18 18' from bottom

Pole Accessories

May choose one

- GFI GFCI receptacle, 24" from top of pole
- RBC Duplex receptacle box with clear cover, wiring device(s) not included

10. FIXTURE FINISH

Standard Color

- AGN Antique Green
- BL Black
- BLT Matte Black
- CRT Corten
- DB Dark Bronze
- DGN Dark Green
- GT Graphite
- LG Light Grey
- MAL Matte Aluminum
- MDB Bronze Metallic
- MG Medium Grey
- TT Titanium
- WH Arctic White
- WDB Weathered Bronze
- VBU Verde Blue

Premium Color

- SHK Shamrock
- SPP Salt and Pepper
- SFM Seafoam
- WCP Weathered Copper
- RAL RAL 4 digit Color
- CUSTOM Custom Color

<sup>1</sup> Contact factory

<sup>4</sup> Handheld commissioning tool is required to separately configure or adjust any number of SCP sensors

<sup>5</sup> Specify group and zone at time of order. See [www.hubbellighting.com/sitesync](http://www.hubbellighting.com/sitesync) for more details. Order at least one SiteSync interface accessory SWUSB or SWTAB. Each option contains SiteSync License, GUI, and Bridge Node.

<sup>6</sup> When ordering with SiteSync, one of the following interface options must be chosen and ordered separately. Each option contains the SiteSync License, GUI and Bridge Node.



ARCHITECTURAL AREA LIGHTING  
17760 Rowland Street | City of Industry | CA 91748  
P 626.968.5666 | F 626.369.2695 | [www.aal.net](http://www.aal.net)  
Copyright © 2014 September 18, 2018 12:46 PM

JOB \_\_\_\_\_  
TYPE \_\_\_\_\_  
NOTES \_\_\_\_\_

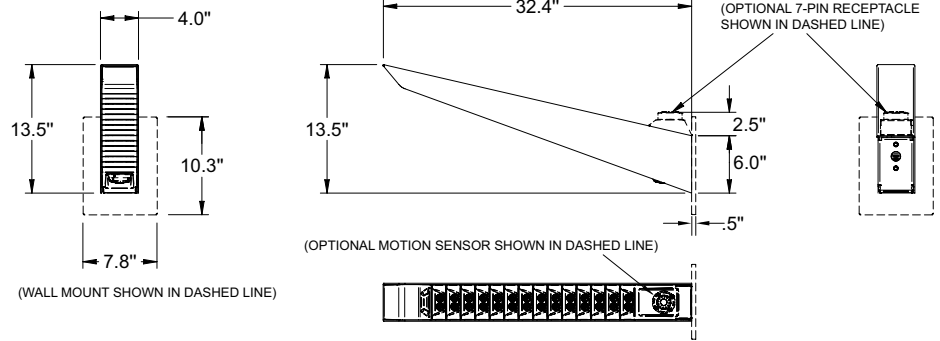
# Kick™ – K4 Small Scale

TYPE

## Side Mounted Luminaire

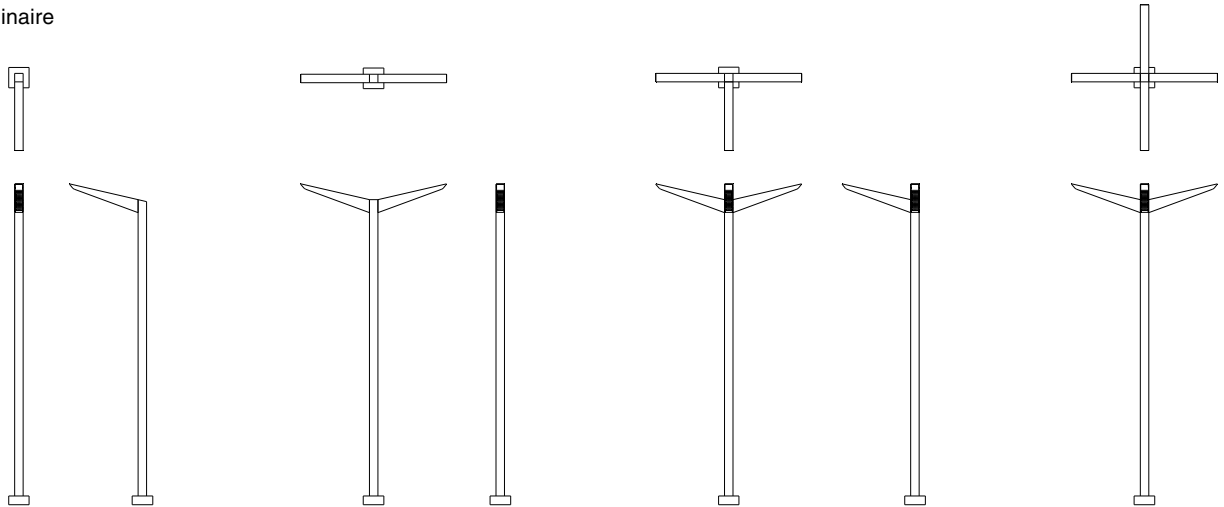
Mounts to the side of 4"/102mm square pole.

MODEL	K41-...-SMK
OVERALL HEIGHT	13.5" / 343mm
OVERALL LENGTH	32.4" / 823mm
OVERALL WIDTH	4" / 102mm
WEIGHT	15 lbs.
EPA	1.03



## Integral Pole Luminaire

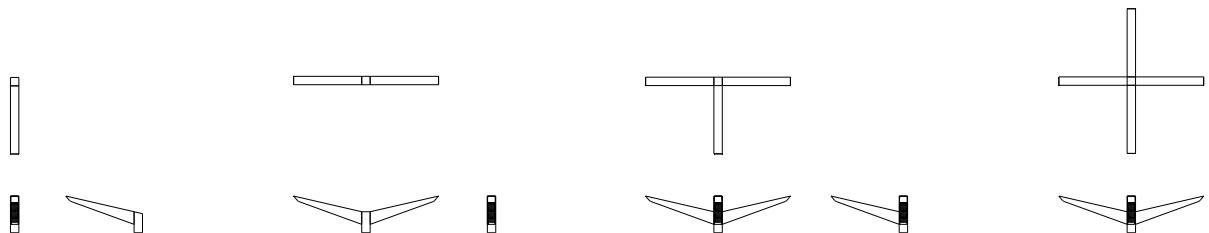
See page 6 for height and mounting detail  
\* Weight and EPA for fixtures only



MODEL	K41-...-PS4XX-125	K42-...-PS4XX-125	K43-...-PS4XX-125	K44-...-PS4XX-125
Overall Length	36.4" / 925mm	10" / 254mm	36.4" / 925mm	68.9" / 1750mm
Overall Width	10" / 254mm	68.9" / 1750mm	68.9" / 1750mm	68.9" / 1750mm
WEIGHT	15 lbs.	30 lbs.	45 lbs.	60 lbs.
EPA*	1.03	2.06	2.61	2.61

## Tenon Mount Luminaire

Slips over a 2 3/8"/60mm diameter by 4"/102mm tall tenon



MODEL	K41-...-TA23	K42-...-TA23	K43-...-TA23	K44-...-TA23
Overall Height	17.5" / 445mm	17.5" / 445mm	17.5" / 445mm	17.5" / 445mm
Overall Length	36.4" / 925mm	10" / 254mm	36.4" / 925mm	68.9" / 1750mm
Overall Width	4" / 102mm	68.9" / 1750mm	68.9" / 1750mm	68.9" / 1750mm
WEIGHT	18.5 lbs.	33.5 lbs.	48.5 lbs.	63.5 lbs.
EPA*	1.33	2.42	2.61	2.61



ARCHITECTURAL AREA LIGHTING  
17760 Rowland Street | City of Industry | CA 91748  
P 626.968.5666 | F 626.369.2695 | www.aal.net  
Copyright © 2014 September 18, 2018 12:46 PM

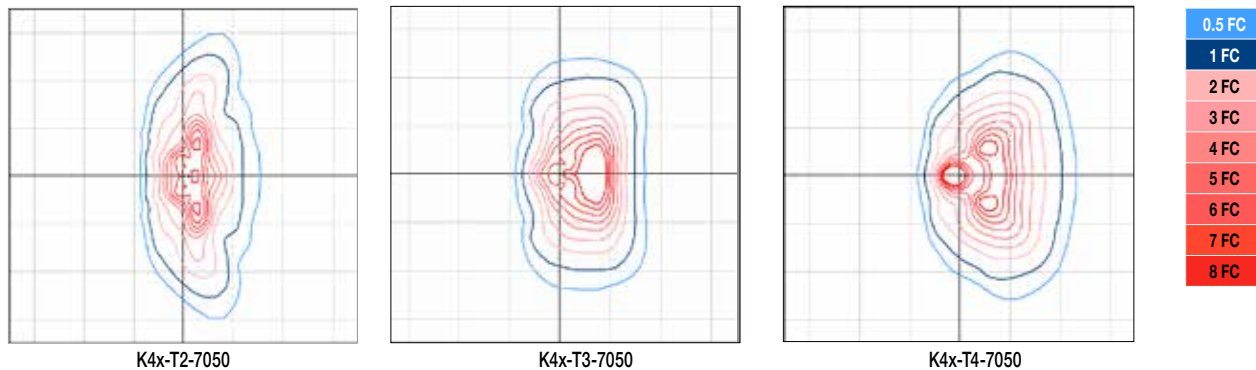
JOB	_____
TYPE	_____
NOTES	_____

LUMINAIRE PERFORMANCE

Configuration				Ordering Code												Average System Watts			
Light Engine	Optical Finish	Distribution	Ordering Code	Bright White (5000K)			Neutral White (4000K)			Warm White (3000K)									
				Delivered Lumens	Efficacy (Lm/W)	BUG Rating			Delivered Lumens	Efficacy (Lm/W)	BUG Rating								
				7050			7040			7030									
7000 series	Standard White	Type 2	T2	6932	108	2	2	2	6775	106	2	2	2	6536	102	2	2	2	64
		Type 3	T3	6952	108	1	2	1	6795	106	1	2	1	6554	102	1	2	1	
		Type 4	T4	7691	120	2	2	2	7516	117	2	2	2	7250	113	2	2	1	
	Fixture Matched	Type 2	T2-FO	5614	87	2	2	2	5486	85	2	2	2	5292	83	2	2	2	
		Type 3	T3-FO	5788	84	1	2	1	5646	82	1	2	1	5456	79	1	2	1	
		Type 4	T4-FO	6131	96	2	2	2	5992	94	2	2	2	5780	90	2	2	1	
	Matte Black	Type 2	T2-MO	5602	88	2	0	1	5475	86	2	0	1	5281	83	1	0	1	
		Type 3	T3-MO	5773	90	1	0	1	5656	88	1	0	1	5442	85	1	0	1	
		Type 4	T4-MO	6117	96	2	0	1	5979	93	2	0	1	5767	90	2	0	1	
				5050			5040			5030									
5000 series	Standard White	Type 2	T2	5239	113	1	2	1	5234	114	2	2	1	4999	108	1	2	1	46
		Type 3	T3	5130	111	1	2	1	5125	112	1	2	1	4895	106	1	2	1	
		Type 4	T4	5456	118	1	2	1	5451	118	1	2	1	5207	113	1	2	1	
	Fixture Matched	Type 2	T2-FO	4003	87	1	2	1	4010	87	2	2	1	3820	83	1	2	1	
		Type 3	T3-FO	4048	88	1	2	1	4044	88	1	2	1	3863	84	1	2	1	
		Type 4	T4-FO	4503	98	1	2	1	4524	98	1	2	1	4297	93	1	2	1	
	Matte Black	Type 2	T2-MO	4003	87	1	0	1	4000	87	1	0	1	3820	83	1	0	1	
		Type 3	T3-MO	4048	88	1	0	1	4045	88	1	0	1	3863	84	1	0	1	
		Type 4	T4-MO	4503	98	1	0	1	4499	98	1	0	1	4297	93	1	0	1	

-MO.ies files should be used for -FO configurations in application layouts.

ISOLINE TEMPLATES 14' Mounting Height

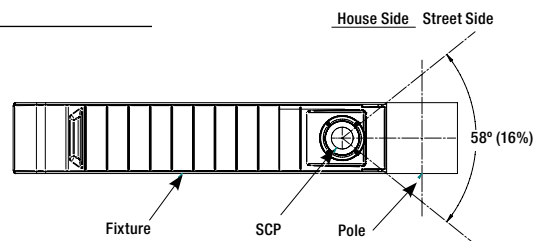


ELECTRICAL CHARACTERISTICS

Ordering Code	LED Current (mA)	System Wattage (W)	Input				Hz	Min. Power Factor	Max THD (%)	Dimming Range (V)	Source/Sink Current (mA)	Inrush Current Peak							
			Amps AC									(A)				T@50% (µs)			
			120	277	347	480						120	277	347	480	120	277	347	480
70XX	700	64	0.5	0.23	0.2	0.13	50/60	>0.9	20	0-10	1	15	32	41	63	50	155		
50XX	500	46	0.4	0.17	0.1	0.10													

SENSOR DETECTION RANGE

		SENSOR MOUNTING HEIGHT							RATIO
		8'	10'	12'	14'	16'	18'	20'	
COVERAGE	SCP	20'	25'	30'	35'	40'	45'	50'	1:2.5
DIAMETER	WIRSC	16'	20'	24'	28'	32'	36'	40'	1:2



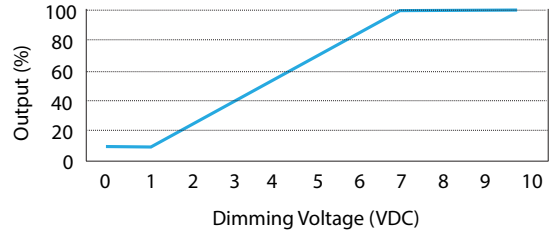
ARCHITECTURAL AREA LIGHTING  
 17760 Rowland Street | City of Industry | CA 91748  
 P 626.968.5666 | F 626.369.2695 | www.aal.net  
 Copyright © 2014 September 18, 2018 12:46 PM

JOB \_\_\_\_\_  
 TYPE \_\_\_\_\_  
 NOTES \_\_\_\_\_

TM-21 LIFETIME CALCULATION

Ambient Environment °C	Projected Lumen Maintenance (Khrs)					Reported L70
	25	50	60 (TM-21)	75	100	
25	98%	95%	94%	92%	90%	>60Khrs.
40	98%	96%	95%	93%	91%	

DIMMING CURVE



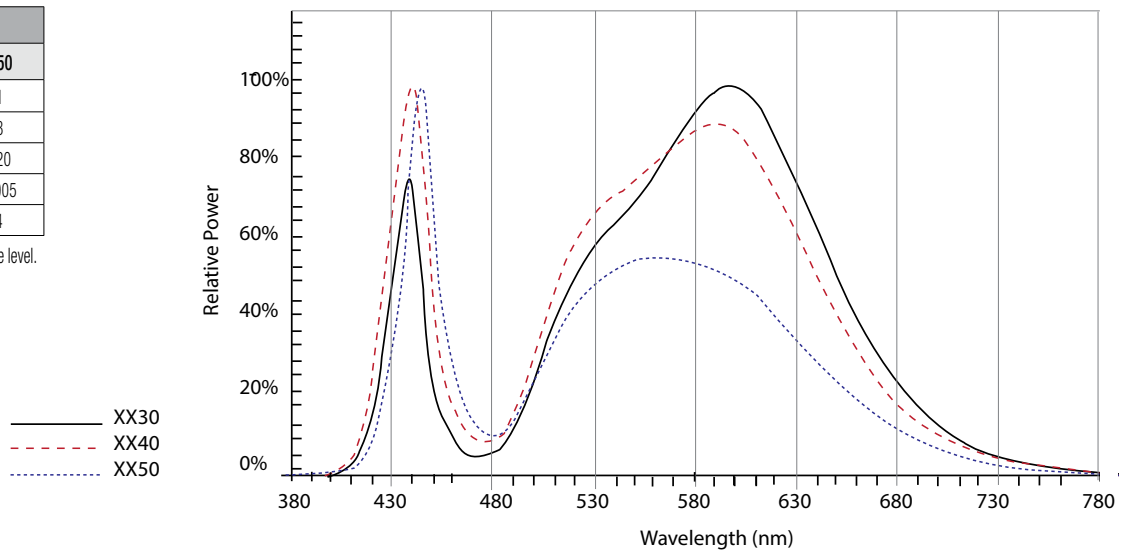
Note: Fixture does not dim to off, fixture dims to 10% minimum output.

COLOR CHARACTERISTICS

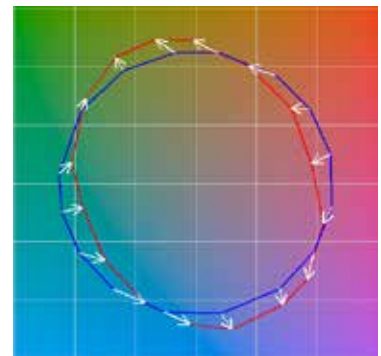
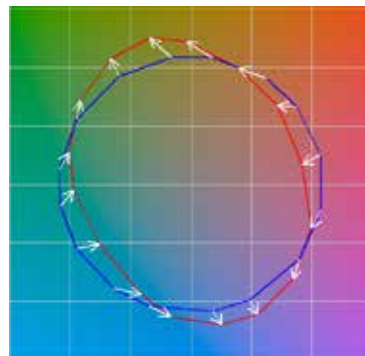
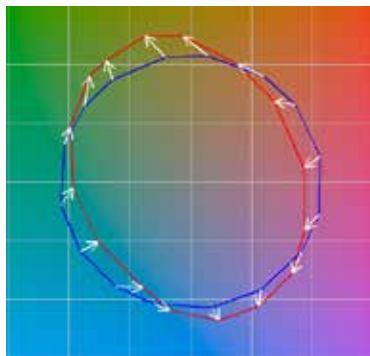
Value	Ordering Code		
	XX30	XX40	XX50
Rf	69	69	71
Rg	99	99	98
CCT(K)	3122	3852	5020
Duv	0.001	0.0004	0.0005
CIE Ra	74	73	74

Note: TM-30 reported at the discrete LED level, not fixture level.

SPECTRAL POWER DISTRIBUTION COMPARISON



COLOR VECTOR GRAPHIC



— Reference Illuminant — Test Source → Series1 → Series2  
 → Series3 → Series4 → Series5 → Series6  
 → Series7 → Series8 → Series9 → Series10

XX30

— Reference Illuminant — Test Source → Series1 → Series2  
 → Series3 → Series4 → Series5 → Series6  
 → Series7 → Series8 → Series9 → Series10

XX40

— Reference Illuminant — Test Source → Series1 → Series2  
 → Series3 → Series4 → Series5 → Series6  
 → Series7 → Series8 → Series9 → Series10

XX50

SPECIFICATIONS

HOUSING

- Housing shroud shall be of fabricated 5052-H32 aluminum alloy with a rear mounting interface that shall be of fabricated 304 stainless steel.
- Housing mounting interface shall have a stamped silicone gasket.
- Luminaire housing shall be free of any visible heat fins, hardware or fasteners.
- Bracketry and hardware shall be stainless steel.

OPTICAL ARRAY

- LEDs shall be mounted to a metal printed circuit board assembly (MCPCB) with a uniform conformal coating over the panel surface and electrical features.
- Optical lenses shall be clear injection molded PMMA acrylic.
- Each MCPCB and optic shall be sealed to an extruded 6063-T6 aluminum alloy heat spreader and sealed with a continuous one piece injection molded silicone rubber gasket. IP66.
- Patent Pending design of optical array shall independently shield each LED optic across the length of the aperture.
- Optical surfaces shall be painted white unless the optional fixture finish (FO) or matte black finish (MO) is selected.
- Optional matte black finish optics (MO) are required to meet UO classification with zero percent uplight.
- Optional fixture finish optical surfaces (FO) shall not exceed BUG ratings of the standard white finish and shall be greater than or equal to the delivered lumens of the optional matte black optical surface finish (MO).

ELECTRICAL

- Drivers shall be in direct contact with the aluminum housing across the entire surface area of the widest face for maximum thermal transfer.
- Luminaires shall have integral surge protection that shall be U.L. recognized and have a surge current rating of 10,000 Amps using the industry standard 8/20uSec wave and surge rating of 372J. Surge protection device shall be wired in series.
- Drivers shall be U.L recognized.
- Drivers shall not be compatible with current sourcing dimmers, consult factory for current list of known compatible dimming systems approved dimmers include Lutron Diva AVTV, Lutron Nova NFTV and NTFTV.

- Luminaire shall be capable of operating at 100% brightness in a 40°C environment. Both driver and optical array shall have integral thermal protection that will dim the luminaire upon detection of temperatures in excess of 85°C.
- Luminaires not configured with a control system or ANSI C136 receptacle option shall be provided with 0-10 purple and gray dimming leads.



CONTROLS

- Wireless enabled fixtures shall support bi-directional radio frequency (RF) communications utilizing IEEE 802.15.4 operating in the 2.4GHZ ISM band.
- Up to 1000' wireless range may be reduced by physical obstructions between lighting fixtures.
- Motion Sensor shall use passive infrared (PIR) sensing technology that reacts to changes in infrared energy (moving body heat) within the coverage area. Careful consideration must be given to obstructions that may block the sensor's line of sight.
- Factory default settings for SCP option shall be:
  - High mode: 10V
  - Low mode: 1V
  - Ramp-up rate: disabled
  - Fade-down rate: disabled
  - Photocell: Off
  - Sensitivity: Full
  - Time Delay: Fade to low: 5 minutes
  - Time Delay: Fade to off: 1 hour

MOUNTING AND INSTALLATION

- Integral pole mount luminaires shall require assembly of fixture(s) to the pole, mounting hardware, anchor bolts and anchor bolt template shall be included. See page 6 for additional considerations specific to the integral pole.
- Tenon mount luminaires shall require assembly of fixture(s) to the tenon adapter, mounting hardware shall be included. Tenon adapter shall be secured to the tenon with eight 5/16-18 stainless steel set screws.

- Side mount luminaires shall be supplied with hardware compatible with AAL mountings.
- Twin mounted staggered height fixtures shall be configured separately.

SERVICING

- Service access to the optical array and driver assembly shall be via a tool-less internal latch and have an audible click.
- Optical array shall be able to hang freely in an open service position for inspection of internal wire connections. Once in service position, the optical array shall be able to be removed for service by lifting the assembly up off the rear hinge and disconnecting the wiring plugs.
- Driver assembly shall be mounted to a prewired internal tray with quick disconnects for removal.

FINISH

- Luminaire finish shall consist of a five stage pretreatment regimen with a polymer primer sealer, oven dry off, and top coated with a thermoset super TGIC polyester powder coat finish.
- Luminaire finish shall meet the AAMA 605.2 performance specification which includes passing a 3000 hour salt spray test for corrosion resistance.

CERTIFICATION

- Luminaire shall be listed with UL for outdoor, wet location use, UL1598, UL 8750 and Canadian CSA Std. C22.2 no.250.
- ANSI C136.31-2010 4G Vibration tested and compliant.
- IEC 66262 Mechanical Impact Code IK10
- IDA approved, 3000K and warmer CCTs only.

Warranty / Terms and Conditions of Sale Download: <http://www.hubbellighting.com/resources/warranty/>



JOB	_____
TYPE	_____
NOTES	_____

SPECIFICATIONS

Integral Pole

MODEL	HEIGHT		SHAFT SECTION	WT	MAXIMUM ALLOWABLE EPA (MPH)							
	OVERALL	POLE			85	90	100	110	120	130	140	150
K4X-PS410-125	10' 7.5" / 3.24m	10'	4" SQ x .125"	28 lbs	15.4	13.5	10.4	8.1	6.4	5.0	4.0	3.1
K4X-PS412-125	12' 7.5" / 3.85m	12'	4" SQ x .125"	32 lbs	11.8	10.2	7.6	5.7	4.3	3.2	2.3	1.6
K4X-PS414-125	14' 7.5" / 4.46m	14'	4" SQ x .125"	37 lbs	9.1	7.7	5.5	3.9	2.6	1.7	0.95	0.33
K4X-PS416-125	16' 7.5" / 5.07m	16'	4" SQ x .125"	42 lbs	6.9	5.7	3.8	2.3	1.3	0.46	-	-
K4X-PS418-125	18' 7.5" / 5.68m	18'	4" SQ x .125"	48 lbs	4.9	3.9	2.2	0.95	0.01	-	-	-
K4X-PS420-125	20' 7.5" / 6.29m	20'	4" SQ x .125"	53 lbs	3.2	2.2	0.75	-	-	-	-	-

\* - Consult factory for thicker shaft profiles and or custom heights not shown above.

CONSTRUCTION

- Base shall be cast aluminum #356 alloy and be heat treated to a T-6 condition.
- Shaft shall be extruded aluminum 6061 alloy and heat treated to a T-6 condition.
- Anchor bolts shall be hot dip galvanized steel. Eight galvanized hex nuts and flat washers, and a bolt circle template shall be provided. Anchor bolt for poles are 3/4" x 24" x 3".

WARNINGS

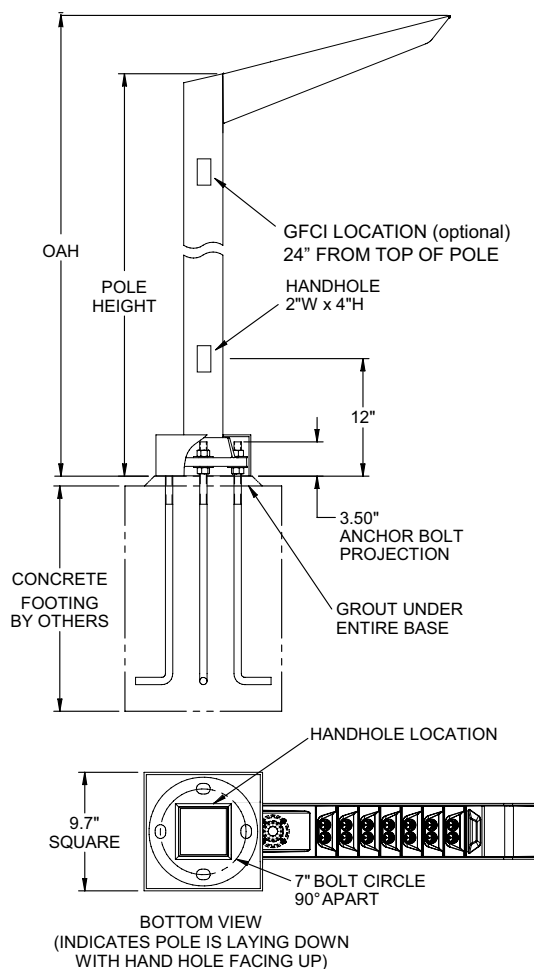
- Caution must be exercised in the selection of a design wind speed when the pole is to be installed in a special wind region (as indicated by the wind map) or in an area where wind speed is unpredictable.
- AAL recommends consulting a local engineer when the pole is to be installed in an area that may be subject to vibration, oscillations, and other fatigue effects which are not covered by the AAL warranty.
- The use of banners or other appendages can severely affect the loading of a pole. No banner or other appendage may be attached to an AAL pole unless approved by AAL.
- If the products are to be used on an existing foundation or on other structures, the customer assumes all responsibility for the structural integrity of the existing foundation, anchorage or structures and all the consequences arising there from.

CAUTION

- Poles should never be erected without the luminaire installed. Warranty is voided if the pole is erected without the luminaire.

WARRANTY / TERMS AND CONDITIONS OF SALE

Download:  
<http://www.hubbelling.com/resources/warranty/>



ARCHITECTURAL AREA LIGHTING  
 17760 Rowland Street | City of Industry | CA 91748  
 P 626.968.5666 | F 626.369.2695 | www.aal.net  
 Copyright © 2014 September 18, 2018 12:46 PM

JOB	_____
TYPE	_____
NOTES	_____