

ME – Mini-eSconce

TYPE

- Available with energy efficient LED
- Fully luminous front cover made of impact resistant opal acrylic
- Optional fascia panels
- Injection molded acrylic housing
- Cover is heat and shatter resistant



ME

1. LUMINAIRE

2. COLOR

3. FASCIA OPTIONS

--	--	--

1. LUMINAIRE

LED (3LED array, 5 watts. 120 thru 277 volt. Warm white (3000K), Neutral white (4000K), Bright white (5000K))
 ME-3LED-WW (Warm white)
 ME-3LED-NW (Neutral white)
 ME-3LED-BW (Bright white)

2. COLOR

Standard Color

WH	Arctic White
BL	Black
BLT	Matte Black
DB	Dark Bronze
DGN	Dark Green
TT	Titanium
WDB	Weathered Bronze
MDB	Bronze Metallic
VB	Verde Blue
CRT	Corten
MAL	Matte Aluminum
MG	Medium Grey
AGN	Antique Green
LG	Light Grey

Premium Color

SHK	Shamrock
SPP	Salt and Pepper
SFM	Seafoam
WCP	Weathered Copper
RAL	RAL 4 digit Color
CUSTOM	Custom Color

3. OPTIONS – The fascia panels are factory installed

FULL FASCIA PANEL OVERLAY PAINTED

Standard AAL colors are provided at no extra charge. Powder coat finishes in RAL and custom matched colors are available upon request.

9SO (9" Square open center painted)

BLN (9" Square blank painted)

FULL FASCIA PANEL OVERLAY

Perforated center

The stainless steel fascia panels have a #4 brushed finish with a horizontal grain direction. The copper will age and patina over time.

FPP (Painted aluminum)

FPS (Brushed #4 stainless steel)

FPC (Natural copper)

4 squares

The stainless steel fascia panels have a #4 brushed finish with horizontal grain direction. The copper will age and patina over time.

F4P (Painted aluminum)

F4S (Brushed #4 stainless steel)

F4C (Natural copper)

SPECIFICATIONS

HOUSING

The fixture housing is one piece injection molded acrylic with a lightly diffused finish. The front cover is opal, semi translucent injection molded acrylic. The cover is secured with two self tensioning latches for relamping and internal access. The front cover is sealed with a one-piece memory retentive molded silicone gasket. The rear electrical access has a molded silicone plug to completely seal the fixture from insects or dirt emanating from the electrical box or conduit. All internal and external hardware is stainless steel

REFLECTOR TRAY

The reflector tray is formed aluminum finished in high reflectance white. The aluminum block off plate is removable for converting the fixture to an upright or downlight configuration.

ELECTRICAL

The ballast is mounted on the reflector tray. The ballast is electronic for use with PL-C lamps; 4 pin, G24q-1 sockets. The ballast will accept an input voltage of 120 thru 277 volts. The ME-LED shall use a 3LED module (5 watt) for 120 thru 277 volt input.

FINISH

The finish for the optional aluminum fascia covers consists of a five stage pretreatment regimen with a polymer primer sealer, oven dry off and top coated with a thermoset super TGIC polyester powder coat finish. The finish shall meet the AAMA 605.2 performance specification which includes passing a 3000 hour salt spray test for corrosion resistance.

INSTALLATION

To install the fixture, the housing is secured to an octagonal j-box and wired to the power circuit.

See next page

JOB _____
 TYPE _____
 NOTES _____

ME – Mini-eSconce

TYPE

CERTIFICATION

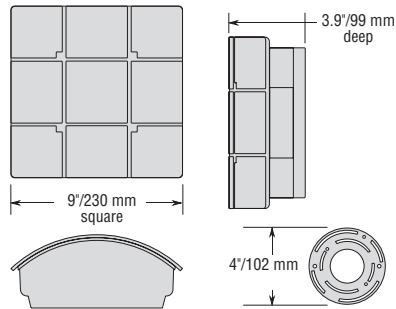
The fixture is listed with ETL for outdoor, wet location use, UL1598 and Canadian CSA Std. C22.2 no.250

WARRANTY / TERMS AND CONDITIONS OF SALE

Download:

<http://www.hubbellighting.com/resources/warranty/>

DIMENSIONS



WT: 2 lbs

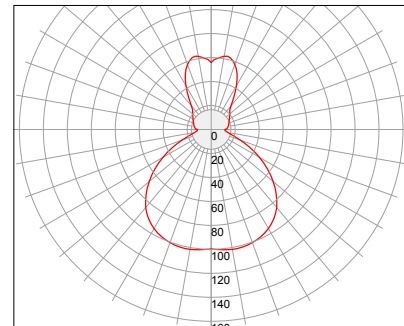
ME1

WATTAGE: 12

LUMEN OUTPUT: 579

EFFICACY: 27.3 Lm/W

ZONE	LUMENS	%LAMP	%LUMINAIRE
0 - 30	89	9.9%	15.4%
0 - 40	154	17.1%	26.5%
0 - 60	272	30.2%	46.9%
60 - 90	111	12.3%	19.1%
0 - 90	383	42.5%	66.1%
90 - 180	196	21.8%	33.9%
0 - 180	579	64.4%	100%



UPLIGHT 21.8%
DOWNLIGHT 42.5%

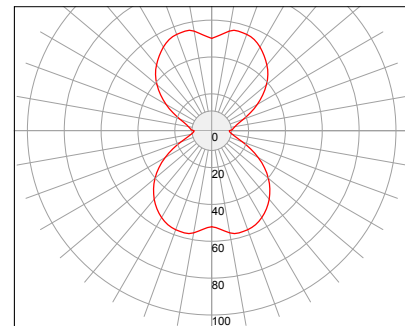
ME 2

WATTAGE: 21

LUMEN OUTPUT: 1030

EFFICACY: 27.3 Lm/W

ZONE	LUMENS	%LAMP	%LUMINAIRE
0 - 30	105	5.8%	10.2%
0 - 40	180	10.0%	17.5%
0 - 60	334	18.5%	32.4%
60 - 90	192	10.7%	18.6%
0 - 90	526	29.2%	51.1%
90 - 180	504	28%	48.9%
0 - 180	1030	57.2%	100%



UPLIGHT 48.9%
DOWNLIGHT 51.1%

AAL reserves the right to change product specifications without notice.

[IES files can be found at www.aal.net](http://www.aal.net)



ARCHITECTURAL AREA LIGHTING
17760 Rowland Street | City of Industry | CA 91748
P 626.968.5666 | F 626.369.2695 | www.aal.net
Copyright © 2014 January 11, 2017 11:21 AM