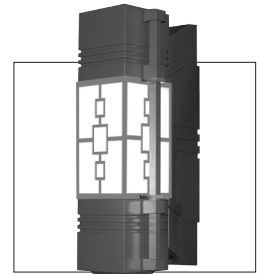


PKSA/PKSP – Parkway Square Sconce

TYPE

- Seven distributions to choose from
- Integral egress lighting
- Available with highly efficient LEDs
- Six decorative screen options
- Tamper resistant hardware
- Cast aluminum struts
- Powder coat finish in 13 standard colors with a polymer primer sealer



PKSA/PKSP

1. LUMINAIRE	2. LAMP/BALLAST	3. SCREEN	4. COLOR	5. OPTIONS		6. CONTROL
				GENERAL	SCREEN	

1. LUMINAIRE

ACCENT (SMALL) SCALE (Weight: 32 lbs)

- PKSA DB (Down beam)
- PKSA DS (Down spread)
- PKSA UB (Up beam)
- PKSA US (Up spread)
- PKSA DBUS (Down beam/up spread)
- PKSA UBDS (Up beam/down spread)
- PKSA USDS (Up spread/down spread)

PEDESTRIAN (MEDIUM) SCALE (Weight: 55 lbs)

- PKSP DB (Down beam)
- PKSP DS (Down spread)
- PKSP UB (Up beam)
- PKSP US (Up spread)
- PKSP DBUS (Down beam/up spread)
- PKSP UBDS (Up beam/down spread)
- PKSP USDS (Up spread/down spread)

2. LAMP/BALLAST

PKSA – SMALL HOUSING SCALE

- LED (24 watts, Warm white (3000K), Neutral white (4000K), Bright white (5000K). Class 2, 120 thru 277 volt)
- 15LED-WW (DB/DS/UB/US only)
- 15LED-NW (DB/DS/UB/US only)
- 15LED-BW (DB/DS/UB/US only)
- 24LED-WW (DBUS/UBDS/USDS only)
- 24LED-NW (DBUS/UBDS/USDS only)
- 24LED-BW (DBUS/UBDS/USDS only)

PKSP – PEDESTRIAN HOUSING SCALE

- LED (Warm white (3000K), Neutral white (4000K), Bright white (5000K). Class 2, 120 thru 277 volt)
- 18LED-WW (DB/DS/UB/US only)
- 18LED-NW (DB/DS/UB/US only)
- 18LED-BW (DB/DS/UB/US only)
- 30LED-WW (DBUS/UBDS/USDS only)
- 30LED-NW (DBUS/UBDS/USDS only)
- 30LED-BW (DBUS/UBDS/USDS only)

3. DECORATIVE SCREEN (Painted to match fixture. Also available in stainless steel or copper. Not available with horizontal optics)

<u>INFINITY</u>	<u>OFFSET</u>	<u>WHEAT</u>
DSIN	DSOF	DSWH
<u>TRIO</u>	<u>SHUTTER</u>	<u>CUSTOM</u>
DSTR	DSSH	DSCS

4. COLOR

Standard Color

WH	Arctic White
BL	Black
BLT	Matte Black
DB	Dark Bronze
DGN	Dark Green
TT	Titanium
WDB	Weathered Bronze
MDB	Bronze Metallic
VBU	Verde Blue
CRT	Corten
MAL	Matte Aluminum
MG	Medium Grey
AGN	Antique Green
LG	Light Grey

Premium Color

SHK	Shamrock
SPP	Salt and Pepper
SFM	Seafoam
WCP	Weathered
COP	Copper
RAL	RAL 4 digit Color
CUSTOM	Custom Color

5. OPTIONS

GENERAL

NEG (No egress lamp. Opening is sealed with a cap and painted to match fixture)

DECORATIVE SCREEN

CPR (Copper) SSP (Stainless steel)

6. CONTROL

SCP (Sensor Control Programmable) pole accessory is available to provide occupancy detection for outdoor applications meeting California Title 24. For complete spec sheet and ordering information, visit www.aal.net/products/sensor_control_programmable/

SPECIFICATIONS

HOUSING

Parkway Square housings shall be cast aluminum, A356 alloy, free of any porosity, foreign materials, or cosmetic fillers. The vertical lens shall be opal, semi translucent high impact injection molded lighting grade acrylic and shall not be field replaceable. The vertical struts shall be cast aluminum and painted to match the fixture. The lens shall be sealed to the housing with a molded silicone gasket on the top and bottom. The optical lens frame shall be secured with four captive socket cap screws and shall be sealed with a one piece memory retentive, molded silicone gasket. The lamp compartment shall have a molded silicone plug to completely seal the optical system from insects or dirt emanating from the electrical box or conduit. Four stainless steel screws shall release the canopy to allow electrical access. All internal and external hardware shall be stainless steel and zinc.

REFLECTOR

The reflector is formed aluminum with bright dip anodized finish for pedestrian scale and bead blasted finish for accent scale fixtures.

ELECTRICAL

The ballast or LED driver electrical assembly shall be integral to the fixture and mounted to the cast canopy, the electrical assembly shall be prewired with a quick disconnect plug and removable by loosening two screws. All metal halide ballasts shall be electronic. T6 metal halide lamps shall use G12 sockets; R111 lamps shall use GX8.5 sockets; PL-L fluorescent lamps shall use 2G11 sockets. LED drivers shall have a drive current of 350mA. Standard color temperatures are 3000K, 4000K and 5000K. The ballast or LED driver shall accept an input voltage of 120 through 277 volts. The MR16 lamp for emergency egress feature shall be included and powered by 120 volt input transformed into low-voltage (12 volt) by the electronic transformer (included). The MR16 lamp shall use a miniature bi-pin base.

See next page

JOB	_____
TYPE	_____
NOTES	_____



PKSA/PKSP – Parkway Square Sconce

TYPE

CONTROLS

SCP shall have an integral surge protection device with a current rating of 10,000 Amps using the industry standard 8/20uSec wave and sure rating of 372J

Sensor not intended for use with additional photo-control, wireless control or dimming systems.

SAFETY

The fixture shall include an integral secondary source to provide path of egress illumination from building to the public way. The hidden MR16 lamp, powered as a remote head is able to be angle up to 15° in either direction.

WALL PLATE

Wall plate shall be secured into wall over j-box and shall be wired to the power circuit. Fixture shall be attached to the wall plate by four set-screws.

FINISH

Fixture finish shall consist of a five stage pretreatment regimen with a polymer primer sealer, oven dry off, and top coated with a thermoset super TGIC polyester powder coat finish. The finish shall meet the AAMA 605.2 performance specification which includes passing a 3000 hour salt spray test for corrosion resistance.

CERTIFICATION

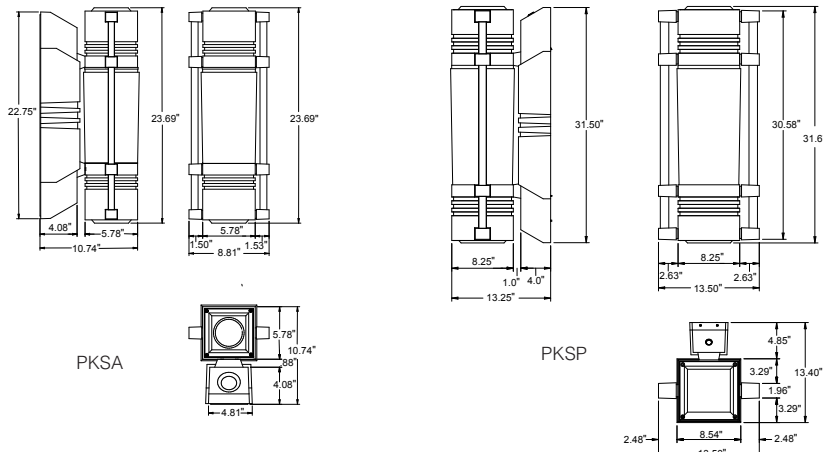
The fixture is listed with ETL for outdoor, wet location use and shall conform to UL1598 and Canadian CSA Std. C22.2 no.9.

WARRANTY / TERMS AND CONDITIONS OF SALE

Download:

<http://www.hubbellighting.com/resources/warranty/>

DIMENSIONS



DECORATIVE SCREENS

Painted to match fixture. Also available in stainless steel or copper. Not available with horizontal optics.



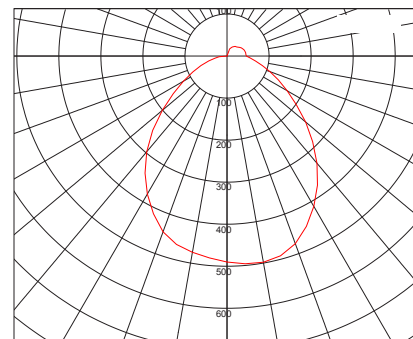
PKSP DS 18LED BW

WATTAGE: 21.6

LUMEN OUTPUT:

EFFICACY: 51.4 Lm/W

ZONE	LUMENS	%LUMINAIRE
0 - 30	297	26.8%
0 - 40	481	42.4%
0 - 60	808	72.7%
0 - 90	1005	90.5%
90 - 120	48	4.4%
90 - 180	106	9.5%
0 - 180	1110	100%



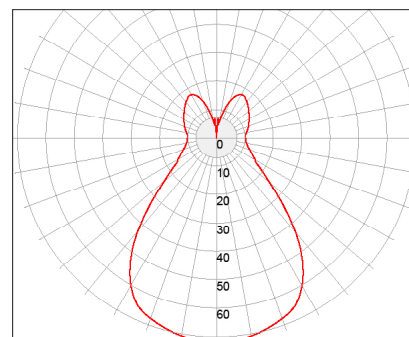
PKSP DS 70T6

WATTAGE: 94

LUMEN OUTPUT:

EFFICACY: 16.8 Lm/W

ZONE	LUMENS	%LAMP	%LUMINAIRE
0 - 30	371	5.6%	23.4%
0 - 40	585	8.9%	37%
0 - 60	860	13%	54.4%
0 - 90	1089	16.5%	68.9%
90 - 120	212	3.2%	13.4%
90 - 180	492	7.5%	31.1%
0 - 180	1582	24.0%	100%



AAL reserves the right to change product specifications without notice.

[IES files can be found at www.aal.net](http://www.aal.net)



ARCHITECTURAL AREA LIGHTING
17760 Rowland Street | City of Industry | CA 91748
P 626.968.5666 | F 626.369.2695 | www.aal.net
Copyright © 2014 January 11, 2017 12:20 PM