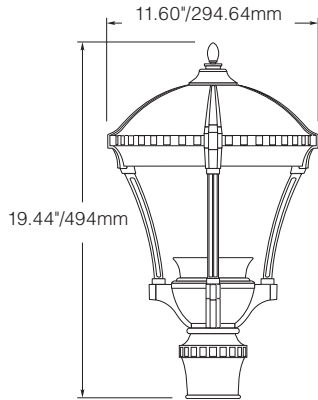


## FEATURES

- Reliable uniform illumination
- Types II, III, IV and V distributions
- 3000K, 4000K, 5000K CCT
- 0-10V dimmable
- Integral surge suppression
- Thermal Protection
- 13 standard powder coat finishes
- Die-Cast housing
- Full Cutoff optical system

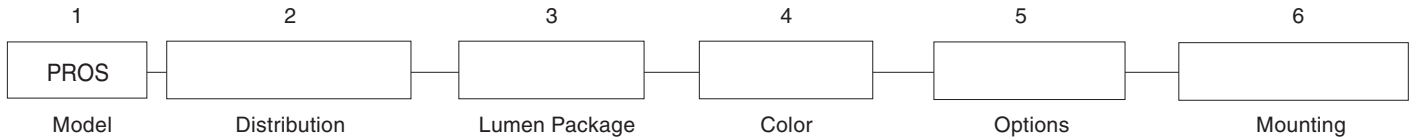


## SPECIFICATIONS



- Diameter: 11.60" / 294.64 mm
- Height: 19.44" / 494 mm
- Weight: 9 lbs / 4kg
- EPA: .46
- IP Rating: 66

## ORDERING INFORMATION



### 1. MODEL

PROS *Providence Small LED*

### 2. DISTRIBUTION

Y2 *Type 2*  
 Y3 *Type 3*  
 Y4 *Type 4*  
 Y5 *Type 5*

### 3. LUMEN PACKAGE

3050 *5000K CCT, 43 watts*  
 3040 *4000K CCT, 43 watts*  
 3030 *3000K CCT, 43 watts*  
 2050 *5000K CCT, 25 watts*  
 2040 *4000K CCT, 25 watts*  
 2030 *3000K CCT, 25 watts*

### 4. COLOR

WH *Arctic White*  
 BL *Black*  
 BLT *Matte Black*  
 DB *Dark Bronze*  
 DGN *Dark Green*  
 TT *Titanium*  
 WDB *Weathered Bronze*  
 MDB *Bronze Metallic*  
 VBU *Verde Blue*  
 CRT *Corten*  
 MAL *Matte Aluminum*  
 MG *Medium Grey*  
 AGN *Antique Green*  
 LG *Light Grey*  
 RAL *Premium Color*  
 CUSTOM \* \* *Contact Factory*

### 5. OPTIONS

FS1 *Fusing*  
 PFN *Brass Painted Finial*  
 SPK *Brass Painted Spike*  
 BPS *Brass Painted Struts*  
 LDL *Lightly diffused lens*  
 AD4 *Adapter used only with standard AAL arms and post top mount fixtures to slip over a 4\"/>*

### 6. MOUNTING

Standard mount shall slip over a 3\"/>

#### WALL MOUNT

WMA59D *Mount down*  
 WMA59U *Mount up*

#### POLE MOUNT

##### Side mounts

TRA59D *Mount down*  
 TRA59U *Mount up*

LUMINAIRE PERFORMANCE

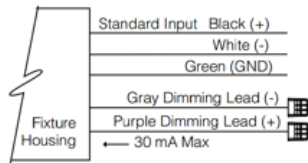
Light Engine	Lensing	Distribution	Ordering Code												Average System Watts				
			Ordering Code	5000K CCT				4000K CCT				3000K CCT							
				Delivered Lumens	Efficacy (Lm/W)	BUG Rating			Delivered Lumens	Efficacy (Lm/W)	BUG Rating			Delivered Lumens		Efficacy (Lm/W)	BUG Rating		
			3050				3040				3030								
3000 Series	Clear Lens (Standard)	TYPE 2	Y2	3238	75	1	0	1	3247	76	1	0	1	2975	69	1	0	1	43
		TYPE 3	Y3	3261	75	1	0	1	3270	76	1	0	1	3038	70	1	1	1	
		TYPE 4	Y4	3253	75	1	0	1	3262	76	1	0	1	2988	69	1	0	1	
		TYPE 5	Y5	3148	73	2	0	1	3157	73	2	0	1	2892	67	2	0	1	
	Lightly Diffused Lens	TYPE 2	Y2...LDL	2386	56	1	1	1	2342	54	1	1	1	2092	49	1	1	1	
		TYPE 3	Y3...LDL	2385	57	1	1	1	2341	56	1	1	1	2091	50	1	1	1	
		TYPE 4	Y4...LDL	2295	53	1	2	1	2252	52	1	2	1	2012	47	1	2	1	
			2050				2040				2030								
2000 Series	Clear Lens (Standard)	TYPE 2	Y2	1951	78	1	0	1	1957	78	1	0	1	1792	71	1	0	1	25
		TYPE 3	Y3	1958	78	1	0	1	1970	78	1	0	1	1830	73	1	0	1	
		TYPE 4	Y4	1960	78	1	0	1	1957	78	1	0	1	1793	71	1	0	1	
		TYPE 5	Y5	1889	76	1	0	1	1894	76	1	0	1	1735	69	1	0	1	
	Lightly Diffused Lens	TYPE 2	Y2...LDL	1387	56	1	1	1	1361	54	1	1	1	1216	49	1	1	1	
		TYPE 3	Y3...LDL	1386	57	1	1	1	1361	56	1	1	1	1216	50	1	1	1	
		TYPE 4	Y4...LDL	1334	53	1	2	1	1309	52	1	2	1	1170	47	1	2	1	
			2050				2040				2030								
			2050				2040				2030								
			2050				2040				2030								

ELECTRICAL CHARACTERISTICS

Configuration	Driver										Inrush Current				Dimming	
	LED Drive mA	System Watts	Line Voltage		Amps AC		Min. Power Factor	Max THD (%)	Operating Temp. Range	120V		277V		Dimming Range	Source/Sink Current	
			VAC	HZ	120	277				Ipeak (A)	Ipeak (A)					
3050	3000 series	400	42	120-277	50/60	0.35	0.15	≥9	20	-40°C To +55°C	21	160 μS	49	160 μS	10% TO 100%	1mA
3040																
3020																
2050	2000 series	255	25	120-277	50/60	0.21	0.09	≥9	20	-40°C To +55°C	21	160 μS	49	160 μS	10% TO 100%	1mA
2040																
2020																

WIRING LEADS

Luminaires shall be provided with 0-10 purple and gray dimming leads.



LED COLOR

	Ordering Code		
	3K	4K	5K
CCT Average	3000K	4000K	5000K
CRI Minimum	70	70	70
S/P Ratio	1.2	1.5	1.8

Consult factory for Amber, Turtle Friendly, Gulf Coast and Observatory applications.

TM-21 LIFETIME CALCULATION

Optical System	Ordering Code	Ambient Environment °C	Projected Lumen Maintenance (% vs. Khrs)					Reported L70
			15	25	50	TM-21* 60	100	
MicroCore	32LED	15	100%	99%	99%	98%	97%	>96Khrs
		25	99%	99%	98%	97%		
		40	98%	97%	94%	93%	89%	



ARCHITECTURAL AREA LIGHTING  
 17760 Rowland Street | City of Industry | CA 91748  
 P 626.968.5666 | F 626.369.2695 | www.aal.net  
 Copyright © 2018 October 1, 2018 10:53 AM

JOB \_\_\_\_\_  
 TYPE \_\_\_\_\_  
 NOTES \_\_\_\_\_

SPECIFICATIONS

HOUSING

- Luminaire shall have discrete optical and gear compartments that do not share any physical housings.
- All housing components shall be die-cast aluminum, sealed with continuous silicone rubber gaskets.
- Standard configurations do not require a flat lens, optional lenses shall be tempered glass
- All internal and external hardware shall be stainless steel.
- Optical bezel finish shall match the luminaire housing.

OPTICAL

- LEDs shall be mounted to a metal printed circuit board assembly (MCPCB) with a uniform conformal coating over the panel surface and electrical features.
- LED optics shall be clear injection molded PMMA acrylic.
- MCPCB and optic shall be sealed to a die-cast anodized aluminum heat sink with an injection molded silicone rubber gasket. IP66.

ELECTRICAL

- Luminaires shall have integral surge protection that shall be U.L. recognized and have a surge current rating of 10,000 Amps using the industry standard 8/20uSec wave and surge rating of 372J.
- Drivers shall be U.L. recognized with an inrush current maximum of <20.0 Amps maximum at 230VAC.
- Drivers shall not be compatible with current sourcing dimmers, consult factory for current list of known compatible dimming systems, approved dimmers include Lutron Diva AVTV, Lutron Nova NFTV and NTFTV.

SERVICING

- Luminaire shall have tool-less service access to the gear compartment. Driver shall be mounted to a prewired tray with quick disconnects that may be removed from the gear compartment.

MOUNTING

- One-piece cast aluminum arms accept the standard 3" slip fitter on the Providence fixture.
- Arms are prewired with quick disconnects.
- Wall mounted arms do not include wall mounting hardware.
- Pole mounted arms use 3/8-16 hardware bolts for attaching to the pole.

FINISH

- Luminaire finish shall consist of a five stage pretreatment regimen with a polymer primer sealer, oven dry off, and top coated with a thermoset super TGIC polyester powder coat finish.
- Luminaire finish shall meet the AAMA 605.2 performance specification which includes passing a 3000 hour salt spray test for corrosion resistance.

CERTIFICATION

- Luminaire shall be listed with ETL for outdoor, wet location use, UL1598, UL 8750 and Canadian CSA Std. C22.2 no.250.

WARRANTY / TERMS AND CONDITIONS OF SALE

Download: <http://www.hubbelling.com/resources/warranty/>



JOB	_____
TYPE	_____
NOTES	_____