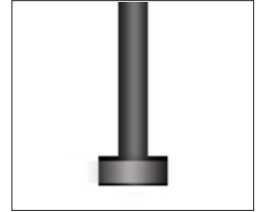


# PR3 – Aluminum Pole

TYPE

## 3" ROUND (RD) POLE



PR3

1. BASE	2. POLE	3. OAH	4. COLOR
---------	---------	--------	----------

1. BASE	2. POLE	3. OAH	SHAFT	MAXIMUM ALLOWABLE EPA (MPH)										
				WT	85	90	100	110	120	130	140	150		
PR3	3R8-125	8' (2.4m)	3" RD x .125"	15	13.4	11.8	9.4	7.5	6.2	5.1	4.2	3.6		
PR3	3R10-125	10' (3.1m)	3" RD x .125"	18	10.1	8.8	6.9	5.5	4.4	3.5	2.9	2.3		

Note: Overall height is measured to post top adapter, or top of pole.

### 2. COLOR

#### Standard Color

WH	Arctic White
BL	Black
BLT	Matte Black
DB	Dark Bronze
DGN	Dark Green
TT	Titanium
WDB	Weathered Bronze
MDB	Bronze Metallic
VBU	Verde Blue
CRT	Corten
MAL	Matte Aluminum
MG	Medium Grey
AGN	Antique Green
LG	Light Grey

#### Premium Color

SHK	Shamrock
SPP	Salt and Pepper
SFM	Seafoam
WCP	Weathered Copper
RAL	RAL 4 digit Color
CUSTOM	Custom Color

### SPECIFICATIONS

Base shall be cast aluminum #356 alloy, free of any porosity, foreign materials, or cosmetic fillers. Base casting shall be heat treated to a T-6 condition, and of uniform wall thickness, with no warping or mold shifting.

### WARNINGS

Caution must be exercised in the selection of a design wind speed when the pole is to be installed in a special wind region (as indicated by the wind map) or in an area where wind speed is unpredictable.

AAL recommends consulting a local engineer when the pole is to be installed in an area that may be subject to extreme weather and exposure

Poles installed on structures such as buildings and bridges may be subjected to vibration, oscillations, and other fatigue effects which are not covered by the AAL warranty.

The use of banners or other appendages can severely affect the loading of a pole. No banner or other appendage should be attached to an AAL pole unless approved by AAL.

If the products are to be used on an existing foundation or on other structures, the customer assumes all responsibility for the structural integrity of the existing foundation, anchorage or structures and all the consequences arising therefrom.

### CAUTION

Poles should never be erected without the luminaire installed.

Anchor bolts shall be hot dip galvanized steel. Eight galvanized hex nuts and flat washers, and a bolt circle template shall be provided. Anchor bolt for poles are 3/4" x 24" x 3".

### CERTIFICATION

Certified UL 1598 in accordance with Article 410 of ANSI/NFPA 70, National Electrical Code.

### NOTES:

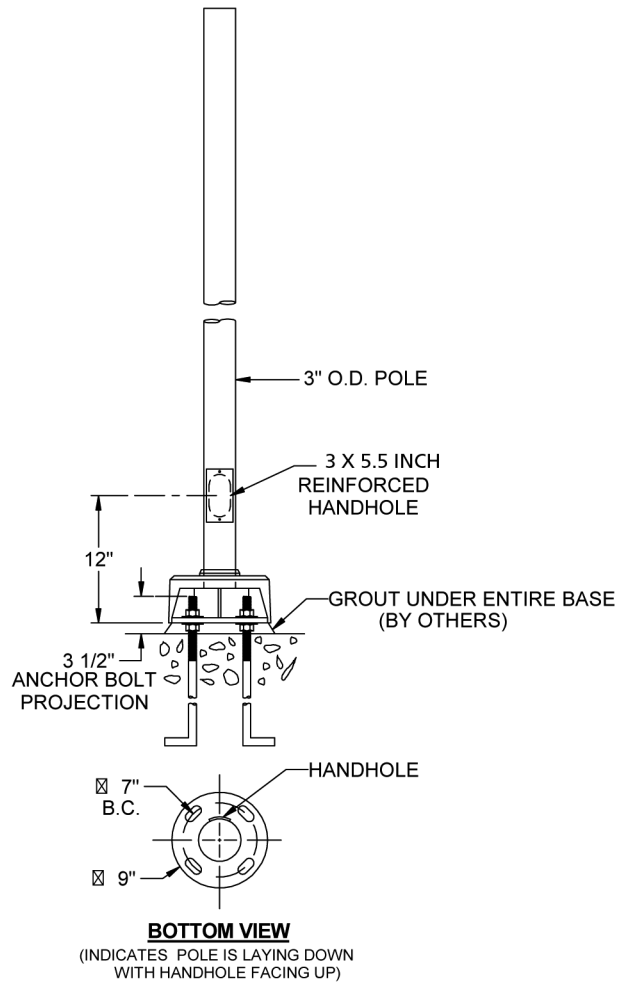
Hand hole cover is not available on 8' poles, but available on 10' poles.

PR3 is used for the SP2, UCS and ALN 438.

JOB	_____
TYPE	_____
NOTES	_____
	_____



DIMENSIONS



All concrete foundation details are the responsibility of a local structural engineer.