

ALN440 – Towne Commons®

TYPE



ALN440-H3-CHM

- Hinged top for easy relamping
- Unitized one-piece lens with a one-piece memory retentive silicone gasket provides a sealed fixture as well as easy lens replacement
- Tool-less access to the ballast module and quick disconnects for easy servicing
- Four distribution patterns
- Powder coat finish in 13 standard colors with a polymer primer sealer

1. LUMINAIRE	2. LAMP/BALLAST	3. COLOR	4. OPTIONS	5. CONTROL	6. MOUNTING

1. LUMINAIRE

ARM OR POST TOP MOUNT

Clear acrylic lens, coated lamp

ALN 440-C

Clear lens, glass refractor

ALN 440-GR3 (Type 3)

ALN 440-GR5 (Type 5)

Clear lens, horizontal cutoff reflector

ALN 440-H2 (Type 2)

ALN 440-H3 (Type 3)

ALN 440-H4 (Type 4)

ALN 440-H5 (Type 5)

TOP MOUNTED ARM OR PENDANT MOUNT

Clear acrylic lens, coated lamp

ALN 440D-C

Clear lens, glass refractor

ALN 440D-GR3 (Type 3)

ALN 440D-GR5 (Type 5)

Clear lens, horizontal cutoff reflector

ALN 440D-H2 (Type 2)

ALN 440D-H3 (Type 3)

ALN 440D-H4 (Type 4)

ALN 440D-H5 (Type 5)

2. LAMP/BALLAST

COMPACT FLUORESCENT (120 thru 277 volt)

GE F57QBX lamp. Reflector models only

PL57

GE F70QBX lamp. Reflector models only

PL70

METAL HALIDE (120/208/240/277)

Medium base, ED-17 lamp

50MH 70MH 100MH

G12 base, T-6 ceramic lamp

70MHT6

PULSE START METAL HALIDE (120/208/240/277 volt ballast)

Medium base, ED-17 lamp

150PSMH

G12 base, T-6 ceramic lamp

150PSMHT6

HIGH PRESSURE SODIUM (120/208/240/277 volt ballast)

Medium base, ED-17 lamp

50HPS 70HPS 100HPS 150HPS

All ballasts are factory wired for 277 volts, unless specified. Lamps not included.

3. COLOR

WH Arctic White

VBU Verde Blue

BL Black

CRT Corten

BLT Matte Black

MAL Matte Aluminum

DB Dark Bronze

MG Medium Grey

DGN Dark Green

AGN Antique Green

TT Titanium

LG Light Grey

WDB Weathered Bronze

RAL Premium Color

MDB Bronze Metallic

CUSTOM ** Contact Factory

4. OPTIONS

CHM (Glass chimney with polished brass holder. Reflector models only)

CND (3-lamp candelabra with polished brass holder, lamps included. For decorative use only. Reflector models only)

LDL (Lightly diffused lens for fixtures with a refractor or reflector)

HSS-L (House side shield for use with glass refractors or clear lens only, consists of three field installed panels attached to the inside of the lens. Installing three panels blocks 180° of the lens. Not available with PL ballast options)

HSS-R (House side shield for use with horizontal reflectors. Factory installed. Not for Type 5)

QL (Socket for T-4 mini-cand lamp, field wired to a separate circuit. QL lamp wattage not to exceed primary lamp wattage. Reflector models only)

QRS (Restrike controller and T-4 socket for quartz lamp. Configured to light following resumption of power until HID reaches full brightness. Lamp wattage not to exceed ballast wattage.)

MAT (Mast arm adapter slips over a 2 3/8"/60mm O.D. pipe and is secured with 4 stainless steel set screws. For ALN440D only)

PMS (Pendant mount with 48"/1220mm stem and canopy with swivel. For ALN440D only)

PMC (Pendant kit includes canopy and 48"/1220mm of brass chain painted the fixture color. For ALN440D only)

PT5 (Post top adaptor for a 5"/127mm O.D. pole) 347 (120/277/347 volt for HID ballasts)

5. CONTROL

SCP (Programmable motion control, factory default is 50%, requires pole)

PCA-C (Rotatable photocell-Contemporary)

6. MOUNTING

WALL MOUNT

WMA1M WMA1L WMA2M WMA2L

WMA3 WMA35U WMA36U WMA7

WMA38 WMA39 WMA4 WMA55

WMA56 WMA57 WMA6 WMA7

WMA8 WMA9D WMA9U WMA10

WMA11 WMA12 WMA16 WMA17

WMA18 WMA22D WMA22U

POLE MOUNT

TRA1M TRA1L TRA2M TRA2L

TRA3 TRA4 TRA5U TRA6U

TRA55 TRA56 TRA57 TRA7

TRA7-2 TRA8 TRA8-2 TRA9

TRA9-2

SLA1 SLA1-2 SLA3 SLA4

SLA4-2 SLA7 SLA7-2

SLA7(5) SLA7(5)-2 SLA8U SLA8D

SLA9 SLA9-2 SLA10 SLA16

SLA16-2 SLA17 SLA17-2 SLA18

SLA18-2 SLA22D SLA22U

PENDANT

PM1 PM2 PM3

SPECIFICATIONS

HOUSING

The fixture shall be cast A356 alloy aluminum, free of any porosity or cosmetic fillers. Castings shall be of uniform wall thickness, minimum .188" with no warping or mold shifting.

The top shall hinge open by loosening two captive fasteners. The top shall seal the lamp compartment with a full surround silicone gasket. The lens shall be one-piece clear optical grade acrylic with a one-piece memory retentive silicone gasket on top and bottom. The ballast assembly shall be accessible by turning two spring loading latches, to lift out the ballast module. Quick disconnects shall be used for all electrical connections. All internal and external hardware shall be stainless steel.

OPTICAL MODULE

REFLECTORS: The optical assembly shall be completely sealed with a one-piece memory retentive silicone gasket to prevent dust, insect, or moisture contamination. The reflector module shall consist of segmented, specular and semi specular Alzak® panels precisely formed and positioned within the housing on a carrier plate. Reflector models shall be IES rated as a cutoff luminaire.

REFRACTORS: The GR3 and GR5 shall be precision molded borosilicate glass refractors with a Type 3 or Type 5 distribution. The refractors shall be mounted to a gasketed aluminum holder with an internal pressure plate

See next page

JOB _____

TYPE _____

NOTES _____

ALN440 – Towne Commons®

TYPE

ELECTRICAL

Ballasts shall be high power factor rated for -30°C starting. The ballast shall be mounted to a cast holder for maximum heat dissipation. Medium base, porcelain sockets shall be pulse rated. The compact fluorescent shall have an electronic transformer, 120 thru 277 volt. High output fluorescent lamps shall be powered by an electronic ballast and shall be rated for a minimum starting temperature of -10°C. The electrical assembly shall be installed and prewired in the fixture.

RELAMPING

The top of the fixture shall hinge open for relamping by loosening two stainless steel fasteners.

MOUNTING

Post top mounting: The fixture shall slip over a 4"/100mm O.D. pole or tenon and be secured to the pole with three (or six) stainless steel set screws.

Arm or wall mounting: The fixture shall be attached to the cast arm with three stainless steel bolts and a silicone gasket.

FINISH

Fixture finish shall consist of a five stage pretreatment regimen with a polymer primer sealer, oven dry off and top coated with a thermoset super TGIC polyester powder coat finish. The finish shall meet the AAMA 2604-02 performance specification which includes passing a 3000 hour salt spray test for corrosion resistance.

CERTIFICATION

Fixtures shall be listed with ETL for outdoor, wet location use, conforming to the UL 1598 and Canadian CSA 22.2 no. 250 standard.

WARRANTY / TERMS AND CONDITIONS OF SALE

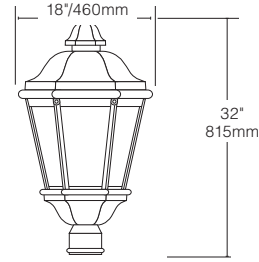
Download:

<http://www.hubbelling.com/resources/warranty/>

DIMENSIONS

POST TOP

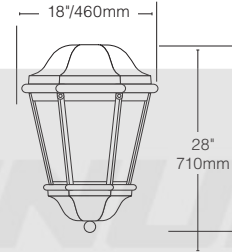
The standard cast fitter slips over a 4"/100mm O.D. pole. WT: 42 lbs EPA: 2.16



ALN 440

ARM MOUNT

18 7/16mm DIA x 28 7/16mm WT: 40 lbs EPA: 2.16

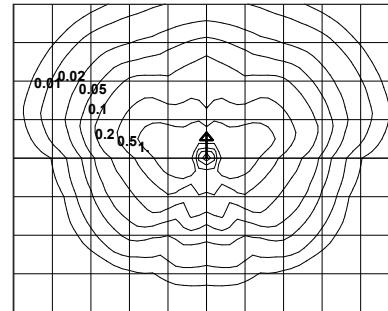


ALN 440D

ALN440 H3 100MH WATTAGE: 129 LUMEN OUTPUT: 5705 EFFICACY: 44.2 Lm/W

B2 U3 G2

FORWARD LIGHT		LUMEN	
FL	30°	3.5%	198
FM	60°	30.3%	1727
FH	80°	30.8%	1755
FVH	90°	0.9%	49
BACK LIGHT			
BL	30°	3.0%	174
BM	60°	17.2%	984
BH	80°	9.6%	549
BVH	90°	1.5%	88
UPLIGHT			
UL	100°	1.1%	61
UH	180°	2.1%	121



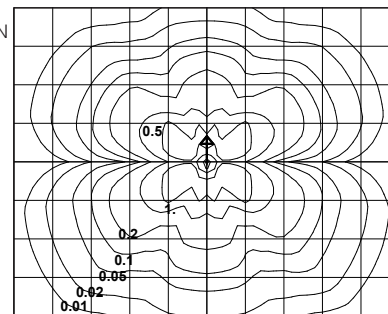
14' MOUNTING HEIGHT

UPLIGHT 2.0%
DOWNLIGHT 59.4%

ALN440 H5 100MH WATTAGE: 129 LUMEN OUTPUT: 5751 EFFICACY: 44.6 Lm/W

B3 U3 G3

FORWARD LIGHT		LUMEN	
FL	30°	3.8%	219
FM	60°	23.4%	1349
FH	80°	18.1%	1043
FVH	90°	1.3%	73
BACK LIGHT			
BL	30°	3.7%	211
BM	60°	24.4%	1404
BH	80°	19.7%	1130
BVH	90°	1.5%	85
UPLIGHT			
UL	100°	1.2%	70
UH	180°	2.9%	169



14' MOUNTING HEIGHT

UPLIGHT 2.6%
DOWNLIGHT 59.3%

AAL reserves the right to change product specifications without notice.

IES files can be found at www.aal.net



ARCHITECTURAL AREA LIGHTING
16555 East Gale Ave. | City of Industry | CA 91745
P 626.968.5666 | F 626.369.2695 | www.aal.net
Copyright © 2012 | Rev 2.15