

# ALN445 – Towne Commons®

TYPE

- Hinged top for easy relamping
- Unitized one-piece lens with a memory retentive silicone gasket provides a sealed fixture as well as easy lens replacement
- The ballast module and quick disconnects for easy servicing
- Four distribution patterns
- Powder coat finish in 13 standard colors with a polymer primer sealer



ALN445-H2-CND

1. LUMINAIRE	2. LAMP/BALLAST	3. COLOR	4. OPTIONS	5. MOUNTING

## 1. LUMINAIRE

### LARGE SCALE ARM OR POST TOP MOUNT

Clear acrylic lens, coated lamp

ALN 445C

Clear lens, horizontal cutoff reflector

ALN 445-H2 (Type 2)

ALN 445-H3 (Type 3)

ALN 445-H5 (Type 5)

### LARGE SCALE TOP MOUNTED ARM OR PENDANT

Clear acrylic lens, coated lamp

ALN 445CD

Clear lens, horizontal cutoff reflector

ALN 445D-H2 (Type 2)

ALN 445D-H3 (Type 3)

ALN 445D-H5 (Type 5)

## 2. LAMP/BALLAST

### COMPACT FLUORESCENT (120 thru 277 volt)

GE F57QBX lamp. Reflector models only

PL57

GE F70QBX lamp. Reflector models only

PL70

### METAL HALIDE (120/208/240/277)

Medium base, ED-17 lamp

100MH

### PULSE START METAL HALIDE (120/208/240/277 volt ballast)

Mogul base, ED-28 lamp

150PSMH 200PSMH 250PSMH

320PSMH 350PSMH 400PSMH

### HIGH PRESSURE SODIUM (120/208/240/277 volt ballast)

Mogul base, ED-23 1/2 lamp

70HPS 100HPS 150HPS

Mogul base, ED-18 lamp

200HPS 250HPS 400HPS

All ballasts are factory wired for 277 volts, unless specified. Lamps not included. For horizontal reflector models with PSMH mogul base ballasts, use a lamp approved for horizontal burning.

## 3. COLOR

WH Arctic White	VBU Verde Blue
BL Black	CRT Corten
BLT Matte Black	MAL Matte Aluminum
DB Dark Bronze	MG Medium Grey
DGN Dark Green	AGN Antique Green
TT Titanium	LG Light Grey
WDB Weathered Bronze	RAL Premium Color
MDB Bronze Metallic	CUSTOM * * Contact Factory

## 4. OPTIONS

CHM (Glass chimney with polished brass holder. Reflector models only)

CND (3-lamp candelabra with polished brass holder, lamps included. For decorative use only. Reflector models only)

LDL (Lightly diffused lens for fixtures with a refractor or reflector)

HSS-L (House side shield for use with glass refractors or clear lens only, consists of three field installed panels attached to the inside of the lens. Installing three panels blocks 180° of the lens. Not available with PL ballast options)

HSS-R (House side shield for use with horizontal reflectors. Factory installed)

QL (Socket for T-4 mini-cand lamp, field wired to a separate circuit. QL lamp wattage not to exceed primary lamp wattage. Reflector models only)

QRS (Restrike controller and T-4 mini-cand socket. Not required with electronic ballast. QRS lamp wattage not to exceed primary lamp wattage. Reflector models only)

MAT (Mast arm adapter slips over a 2 3/8" 60mm O.D. pipe and is secured with 4 stainless steel set screws. For ALN445D only)

PMS (Pendant mount with 48"/1220mm stem and canopy with swivel. For ALN445D only)

PMC (Pendant kit includes canopy and 48"/1220mm of brass chain painted the fixture color. For ALN445D only)

PT4 (Post top adaptor for a 4"/100mm O.D. pole)

347 (120/277/347 volt for HID ballasts)

## 5. MOUNTING

### WALL MOUNT

WMA1M	WMA1L	WMA2M	WMA2L
WMA3	WMA35U	WMA36U	WMA7
WMA38	WMA39	WMA4	WMA55
WMA56	WMA57	WMA6	WMA7
WMA8	WMA9D	WMA9U	WMA10
WMA11	WMA12	WMA16	WMA17
WMA18	WMA22D	WMA22U	

### POLE MOUNT

TRA1M	TRA1L	TRA2M	TRA2L
TRA3	TRA4	TRA5U	TRA6U
TRA55	TRA56	TRA57	TRA7
TRA7-2	TRA8	TRA8-2	TRA9
TRA9-2			
SLA1	SLA1-2	SLA3	SLA4
SLA4-2	SLA7	SLA7-2	
SLA7(5)	SLA7(5)-2	SLA8U	SLA8D
SLA9	SLA9-2	SLA10	SLA16
SLA16-2	SLA17	SLA17-2	SLA18
SLA18-2	SLA22D	SLA22U	

### PENDANT

PM1	PM2	PM3
-----	-----	-----

Visit [www.aal.net](http://www.aal.net) for Arms, Poles & Accessories Specification Guide

## SPECIFICATIONS

### HOUSING

The fixture shall be cast A356 alloy aluminum, free of any porosity or cosmetic fillers. Castings shall be of uniform wall thickness, minimum .188" with no warping or mold shifting.

The top shall hinge open by loosening two captive fasteners. The top shall seal the lamp compartment with a full surround silicone gasket. The lens shall be one-piece clear optical grade acrylic with a one-piece memory retentive silicone gasket on top and bottom. The ballast assembly shall be accessible by turning two spring loading latches, to lift out the ballast module. Quick disconnects shall be used for all electrical connections.

All internal and external hardware shall be stainless steel.

### OPTICAL MODULE

REFLECTORS: The optical assembly shall be completely sealed with a one-piece memory retentive silicone gasket to prevent dust, insect, or moisture contamination. The reflector module shall consist of segmented, specular and semi specular Alzak® panels precisely formed and positioned within the housing on a carrier plate. Reflector models shall be IES rated as a cutoff luminaire.

### ELECTRICAL

Ballasts shall be high power factor rated for -30°C starting. The ballast shall be mounted to a cast holder for maximum heat dissipation. Mogul base, porcelain sockets shall be pulse rated. The electrical assembly shall be installed and prewired in the fixture. High output fluorescent lamps shall be powered by an electronic ballast and shall be rated for a minimum starting temperature at -10°C.

See next page

JOB	_____
TYPE	_____
NOTES	_____
	_____



# ALN445 – Towne Commons®

TYPE

## RELAMPING

The top of the fixture shall hinge open for relamping by loosening two stainless steel fasteners.

## MOUNTING

Post top mounting: The fixture shall slip over a 5/127mm O.D. pole or tenon and be secured to the pole with three (or six) stainless steel set screws.

Arm or wall mounting: The fixture shall be attached to the cast arm with three stainless steel bolts and a silicone gasket.

## FINISH

Fixture finish shall consist of a five stage pretreatment regimen with a polymer primer sealer, oven dry off and top coated with a thermoset super TGIC polyester powder coat finish. The finish shall meet the AAMA 2604-02 performance specification which includes passing a 3000 hour salt spray test for corrosion resistance.

## CERTIFICATION

Fixtures shall be listed with ETL for outdoor, wet location use, conforming to the UL 1598 and Canadian CSA 22.2 no. 250 standard.

## WARRANTY / TERMS AND CONDITIONS OF SALE

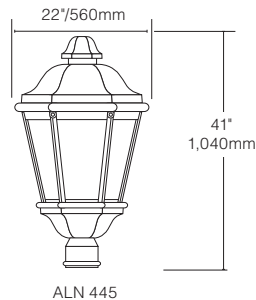
Download:

<http://www.hubbellighting.com/resources/warranty/>

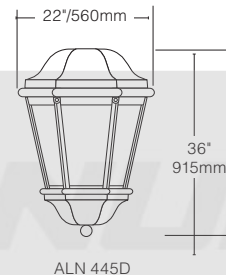
*AAL reserves the right to change product specifications without notice.*

## DIMENSIONS

**POST TOP**  
The standard cast fitter slips over a 5/127mm O.D. pole.



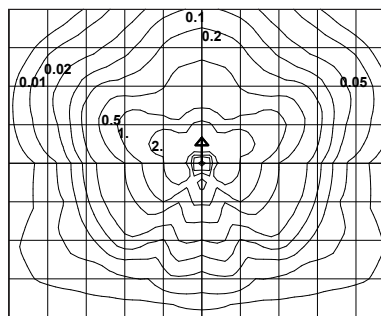
**ARM OR PENDANT MOUNT**



**ALN445 H3 250MH** WATTAGE: 295 LUMEN OUTPUT: 10450 EFFICACY: 35.4 Lm/W

### B3 U2 G3

FORWARD LIGHT		LUMEN	
FL	30°	4.3%	452
FM	60°	29.2%	3052
FH	80°	30.3%	3164
FVH	90°	1.1%	120
BACK LIGHT			
BL	30°	3.4%	352
BM	60°	18.1%	1895
BH	80°	10.6%	1107
BVH	90°	1.5%	157
UPLIGHT			
UL	100°	0.9%	95
UH	180°	0.6%	60

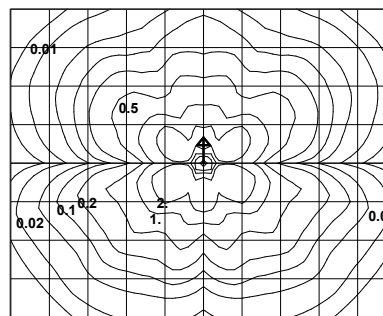


UPLIGHT 0.7%  
DOWNLIGHT 49.0%

**ALN445 H5 250MH** WATTAGE: 295 LUMEN OUTPUT: 12233 41.5 Lm/W

### B3 U2 G3

FORWARD LIGHT		LUMEN	
FL	30°	3.3%	398
FM	60°	23.2%	2833
FH	80°	19.5%	2385
FVH	90°	1.3%	163
BACK LIGHT			
BL	30°	3.4%	414
BM	60°	28.2%	3450
BH	80°	18.9%	2311
BVH	90°	1.2%	146
UPLIGHT			
UL	100°	0.8%	96
UH	180°	0.4%	45



UPLIGHT 0.7%  
DOWNLIGHT 57.6%

[IES files can be found at www.aal.net](http://www.aal.net)