

# ALPHA

FLOODLIGHT

Cat.#

Job

Type



Approvals

## SPECIFICATIONS

### Intended Use:

The Alpha luminaire is a high performance LED lighting solution designed with optical versatility. It is intended to be used to reduce energy and maintenance costs associated with legacy HID lighting technology. Markets include large areas requiring perimeter lighting, security lighting, truck terminals, car lots, recreational sports lighting, airport ramp lighting, and building flood lighting.

### Construction:

- Housing, electrical compartment and fitter are all made from die case aluminum that is pre-treated and powder-coated to meet the most rugged industry standards.

### LED/Optics:

- Provides the best combination of vertical and horizontal illumination while reducing light behind the poles.
- Features revolutionary individual LED optical control based on high performance TIR optical designs.
- Features a protective lens cover.
- The precisely-designed optics result in fewer poles and fixtures that use less energy, leading to lower life-cycle costs along with lower up front installation costs.

### Electrical:

- Fixture electrical compartment contains all LED driver components and is provided with a push-button terminal block for AC power connections.
- Optional 7-pin ANSI C136.41-2013 twist-lock photo control receptacle that is compatible with ANSI C136.41 external wireless control devices.
- 20kA surge protection
- Lifeshield™ Circuit - protects luminaire from excessive temperature by interfacing with the 0-10V dimmable drivers to reduce drive current as necessary. The factory-preset temperature limits are designed to ensure maximum hours of operation to assure L70 rated lumen maintenance.

### Controls/Options:

- Available with Energeni for optional set dimming, timed dimming with simple delay, or timed dimming based on time of night (see [www.beaconproducts.com/products/energeni](http://www.beaconproducts.com/products/energeni)).
- In addition, Alpha can be specified with SiteSync™ wireless control system for reduction in energy and maintenance cost while optimizing light quality 24/7. See ordering information or visit <http://www.hubbelling.com/sitesync/> for more details

### Installation:

- Adjustable knuckle is designed to slip fit a 2 3/8" to 3" O.D. tenon.
- Specialized knuckle provides continuous aiming adjustment without the use of cast serrations.
- Luminaire can adjust from -30° to 90° from horizontal when in the upright position (only when Twist Lock photocell is not being used).
- Photo control option can only be used when fixture is aimed below horizontal position.
- The luminaire must be mounted in the upright position as pictured.

### Finish:

- IFS polyester powder-coat electrostatically applied and thermocured.
- IFS finish consists of a five stage pretreatment regimen with a polymer primer sealer and top coated with a thermoset super TGIC polyester powder coat finish.
- The finish meets the AAMA 2604 performance specification which includes passing a 3000 hour salt spray test for corrosion resistance and resists cracking or loss of adhesion per ASTM D522 and resists surface impacts of up to 160 inch-pounds.

### Listings:

- The luminaire is NRTL certified to UL 1598 and 8750 standards for wet locations.
- CSA 22.2#250.13-14

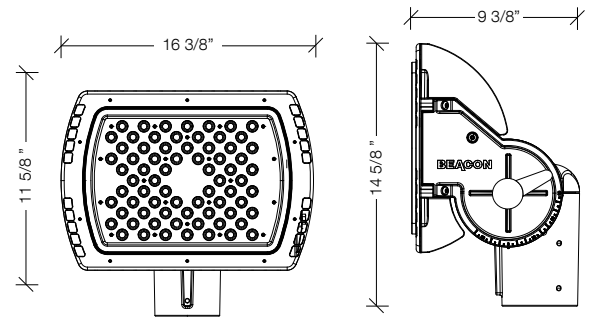
### Warranty:

Five year limited warranty for more information visit: [www.hubbelling.com/resources/warranty](http://www.hubbelling.com/resources/warranty)

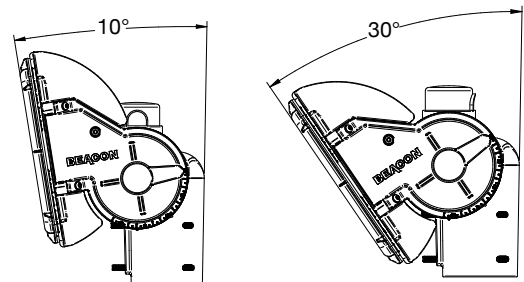
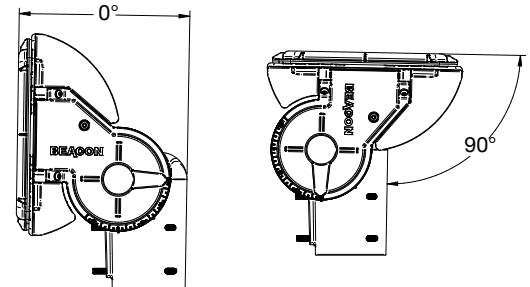
## PRODUCT IMAGE(S)



## DIMENSIONS



Standard SF3 mount  
Slips 2 3/8" to 3" O.D. Tenon



<b>Weight:</b>	<b>EPA</b>
27.0 lbs	1.32 ft <sup>2</sup>
(12.25 kg)	

## CERTIFICATIONS/LISTINGS



Beacon Products • 2041 58th Avenue Circle East Bradenton, FL 34203 • Phone: 800-345-4928

Due to our continued efforts to improve our products, product specifications are subject to change without notice.

© 2016 BEACON PRODUCTS, All Rights Reserved • For more information visit our website: [www.beaconproducts.com](http://www.beaconproducts.com) • Printed in USA March 26, 2019 2:04 PM



**ORDERING INFORMATION** ORDERING EXAMPLE: AL-U/72L-170/5K7/4X4/UNV/PEC/SWP/FL/PM/BBT

SERIES	ENGINE-WATTS	CCT/CRI	VOLTAGE	CONTROL OPTIONS	COLOR
<b>AL-D</b> Alpha, down light	<b>24L-55</b> 55W, LED array	<b>3K7</b> 3000K, 70 CRI <b>4K7</b> 4000K, 70 CRI <b>5K7</b> 5000K, 70 CRI	<b>UNV</b> 120-277V <b>347V</b> 347V <b>480V</b> 480V	<b>GENI-XX<sup>4</sup></b> energeni <b>SWP<sup>5,6,7</sup></b> SiteSync Wireless Pre-Commission	<b>BL</b> Black Textured <b>DB</b> Dark Bronze Textured <b>GYS</b> Light Gray Smooth <b>PS</b> Platinum Silver Smooth <b>WH</b> White Textured <b>CC</b> Custom Color
<b>AL-U<sup>3</sup></b> Alpha, up light	<b>36L-80</b> 80W, LED array <b>60L-136</b> 136W, LED array <b>72L-170</b> 170W, LED array <b>72L-220</b> 220W, LED array <b>72L-295</b> 295W, LED array	<b>OPTICS</b> <b>2X2</b> narrow spot <b>4X4</b> narrow flood <b>5X5</b> medium flood <b>6X6</b> wide flood <b>5X3</b> horizontal flood <b>3X5</b> vertical flood	<b>ELECTRICAL OPTIONS</b> <b>PEC</b> photocell, button <b>PCR-TL<sup>1,3</sup></b> photocell, twist lock <b>PCR-SC<sup>1,3</sup></b> photocell, shorting cap <b>2PF<sup>1,2</sup></b> dual power feed <b>PCRU</b> receptacle only	<b>SHIELD OPTIONS</b> <b>FL</b> full louver <b>FV</b> full visor <b>HL</b> half louver <b>HV</b> half visor	
				<b>MOUNTING OPTIONS</b> <b>SF3</b> Fixture slip fits 2 3/8" OD tenon (tenon by others) <b>PM</b> 3" pier mount (includes 2 3/8" OD tenon and mounting plate) <b>WM</b> wall mount (J-arm tenon and mounting plate included)	

<sup>1</sup> Not available @ 347V or 480V input  
<sup>2</sup> Available on 24L-55, 72L-170 and 72L-220 only  
<sup>3</sup> 7PR, 7PR-TL and 7PR-SC not available on AL-U  
<sup>4</sup> When ordering Energeni, specify the routine setting code (example GENI-04). See Energeni brochure and instructions for setting table and options. Not available with sensor options.  
<sup>5</sup> Must specify group and zone information at time of order. See [www.hubbellighting.com/sitesync](http://www.hubbellighting.com/sitesync) for further details.  
<sup>6</sup> Not available with other control or sensor options.  
<sup>7</sup> Available on 72L-170 and 72L-220 versions only.  
<sup>8</sup> Shorting cap, photo control, or wireless control provided by others

**PRECOMMISSIONED SITESYNC ORDERING INFORMATION:** When ordering a fixture with the SiteSync lighting control option, additional information will be required to complete the order. The SiteSync Commissioning Form or alternate schedule information must be completed. This form includes Project location, Group information, and Operating schedules. For more detailed information please visit <http://www.hubbell-automation.com/products/sitesync/> or contact Hubbell Lighting tech support at (800) 345-4928.

Examples: AL-U/60NB-136/5K/4X4/UNV/PEC/SWP/FL/PM/BBT SiteSync only

Accessories and Services (Ordered Separately)

Catalog Number	Description
<b>SWUSB*</b>	SiteSync interface software loaded on USB flash drive for use with owner supplied PC (Windows based only). Includes SiteSync license, software and USB radio bridge node.
<b>SWTAB*</b>	Windows tablet and SiteSync interface software. Includes tablet with preloaded software, SiteSync license and USB radio bridge node.
<b>SWBRG*</b>	SiteSync USB radio bridge node only. Order if a replacement is required or if an extra bridge node is requested.
<b>SW7PR**</b>	SiteSync 7 Pin on fixture module On/Off/Dim, Daylight Sensor 120-480VAC

\* When ordering SiteSync at least one of these two interface options must be ordered per project.  
+ If needed, an additional Bridge Node can be ordered.  
\*\* Available as a SiteSync retrofit solution for fixtures with an existing 7pin receptacle.

**Hubbell Control Solutions - Accessories (sold separately)**

Catalog Number	Description	HCS System
<b>NXOFM-1R1D-UNV</b>	On-fixture Module (7-pin), On / Off / Dim, Daylight Sensor with HubbNET Radio and Bluetooth® Radio, 120-480VAC	NX Distributed Intelligence™
<b>WIR-RME-L</b>	On-fixture Module (7-pin or 5-pin), On / Off / Dim, Daylight Sensor with wiSCAPE Radio, 110-480VAC	wiSCAPE® Lighting Control

For additional information related to these accessories please visit [www.hubbellcontrolsolutions.com](http://www.hubbellcontrolsolutions.com). Options provided for use with integrated sensor, please view specification sheet ordering information table for details.

**SiteSync 7-Pin Module**



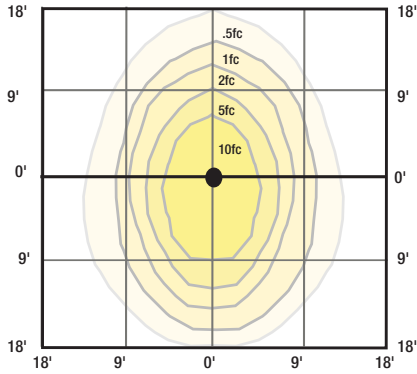
SW7PR

- SiteSync Features in a new form
- Available as an accessory for new construction or retrofit applications (with existing 7-Pin receptacle)
- Available on all products that have a 7-Pin receptacle
- Does not interface with occupancy sensors



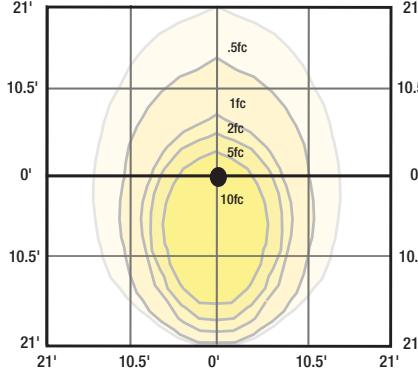
**PHOTOMETRICS**

**2x2 Narrow Spot**  
AL-U-72L-295-5K7-2X2



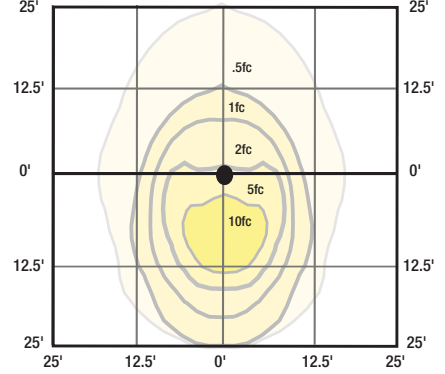
Mounting height: 20ft  
Scale (spec between gridlines): 9ft  
Set back: 22ft  
Tilt: 45 degrees

**4x4 Narrow Flood**  
AL-U-72L-295-5K7-4X4



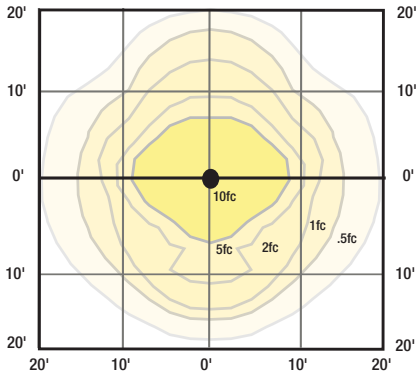
Mounting height: 20ft  
Scale (spec between gridlines): 10.5ft  
Set back: 30  
Tilt: 45 degrees

**5x5 Medium Flood**  
AL-U-72L-295-5K7-5X5



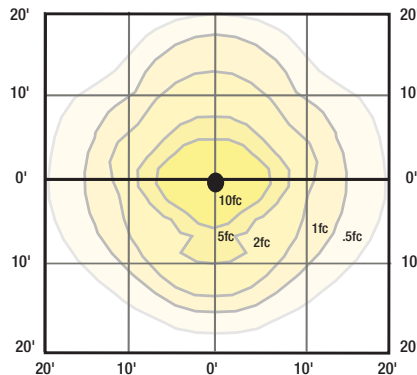
Mounting height: 20ft  
Scale (spec between gridlines): 12.5ft  
Set back: 35  
Tilt: 45 degrees

**5x3 Horizontal Flood**  
AL-U-72L-295-5K7-5X3



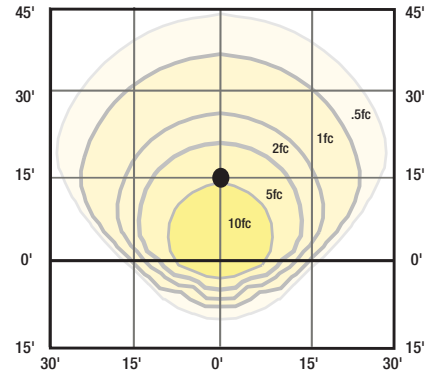
Mounting height: 20ft  
Scale (space between gridlines): 10ft  
Set back: 20  
Tilt: 45 degrees

**3x5 Vertical Flood**  
AL-U-72L-295-5K7-3X5



Mounting height: 20ft  
Scale (space between gridlines): 10ft  
Set back: 20  
Tilt: 45 degrees

**6x6 Wide Flood**  
AL-U-72L-295-5K7-6X6



Mounting height: 20ft  
Scale (space between gridlines): 15ft  
Set back: 30  
Tilt: 45 degrees

**PERFORMANCE DATA**

# LED'S	DRIVE CURRENT (MILLIAMPS)	SYSTEM WATTS 120-277V	DISTRIBUTION TYPE	FIELD ANGLE H° X V°	5K7 (5000K nominal, 70 CRI)			4K7 (4000K nominal, 70 CRI)			3K7 (3000K nominal, 70 CRI)		
					LUMENS	LPW <sup>1</sup>	MAX BEAM CANDLEPOWER	LUMENS	LPW <sup>1</sup>	MAX BEAM CANDLEPOWER	LUMENS	LPW <sup>1</sup>	MAX BEAM CANDLEPOWER
24	700mA	55W	2X2	30° X 30°	6468	113	64515	6560	114	65431	5924	103	59084
			4X4	56° X 56°	6293	109	17477	6382	110	17725	5763	100	16006
			5X5	92° X 92°	6008	104	6042	6093	106	6127	5502	95	5533
			6X6	107° X 107°	6472	112	4258	6564	114	4318	5927	103	2899
			5X3	44° X 71°	5796	100	14539	5878	102	14745	5308	92	13314
36	700mA	80W	3X5	71° X 47°	5826	101	13667	5909	103	13862	5335	93	12517
			2X2	30° X 30°	9702	120	96773	9840	122	98147	8885	110	88627
			4X4	56° X 56°	9440	116	26216	9574	109	26588	8645	106	24009
			5X5	92° X 92°	9012	111	9062	9140	113	9191	8253	102	8299
			6X6	107° X 107°	9708	120	6387	9846	121	6478	8891	110	5849
60	700mA	136W	5X3	44° X 71°	8694	107	21808	8818	109	22117	7962	98	19972
			3X5	71° X 47°	8739	108	20501	8863	110	20793	8003	99	18779
			2X2	30° X 30°	16170	119	121289	16400	121	163579	14809	109	147712
			4X4	56° X 56°	15733	115	43694	15956	116	44314	14408	105	40016
			5X5	92° X 92°	15020	110	15104	15233	111	15319	13755	100	13833
72	700mA	170W	6X6	107° X 107°	16180	118	10645	16409	120	10796	14818	108	9749
			5X3	44° X 71°	14490	106	36347	14696	107	36863	13270	97	33287
			3X5	71° X 47°	14565	107	34169	14772	108	34655	13339	98	31293
			2X2	30° X 30°	19404	113	193547	19680	115	196295	17771	104	177254
			4X4	56° X 56°	18879	110	52433	19147	111	53177	17290	100	48019
72	875mA	220W	5X5	92° X 92°	18023	105	18125	18279	106	18382	16506	96	16599
			6X6	107° X 107°	19416	113	12774	19691	114	12956	17781	103	11699
			5X3	44° X 71°	17388	101	43616	17635	102	44235	15925	92	39944
			3X5	71° X 47°	17478	102	41003	17726	103	41586	16006	93	37552
			2X2	30° X 30°	23227	107	231671	23532	109	234723	21250	98	211954
72	1150mA	295W	4X4	56° X 56°	22592	104	62743	22889	105	63570	20669	95	57404
			5X5	92° X 92°	21580	100	21702	21864	101	21988	19743	91	19855
			6X6	107° X 107°	22541	102	15924	22838	103	16135	20622	93	14569
			5X3	44° X 71°	20816	98	52213	21090	97	52900	19044	88	47769
			3X5	71° X 47°	20923	97	49085	21198	99	49732	19142	89	44908
72	1150mA	295W	2X2	30° X 30°	28050	95	279780	28050	95	279780	28050	95	279780
			4X4	56° X 56°	27290	92	75794	27290	92	75794	27290	92	75794
			5X5	92° X 92°	26054	88	26201	26054	88	26201	26054	88	26201
			6X6	107° X 107°	26687	90	18854	26687	90	18853	26687	90	18854
			5X3	44° X 71°	25180	85	59546	25538	86	60392	22218	75	52541
3X5	71° X 47°	25180	85	59546	25538	86	60392	22218	75	52541			

<sup>1</sup>Lumen values are from photometric tests performed in accordance with IESNA LM-79-08. Data is considered to be representative of the configurations shown. Actual performance may differ as a result of end-user environment and application.



## ELECTRICAL DATA

# OF LEDs	NUMBER OF DRIVERS	DRIVE CURRENT (mA)	INPUT VOLTAGE (V)	SYSTEM POWER (W)	CURRENT (Amps)
24	2	700 mA	120	55	0.55
			277		0.24
			347		0.19
			480		0.14
36	1	700 mA	120	80	0.80
			277		0.35
			347		0.27
			480		0.20
60	1	700 mA	120	136	1.36
			277		0.59
			347		0.47
			480		0.34
72	2	700 mA	120	170	1.70
			277		0.74
			347		0.59
			480		0.43
72	2	875 mA	120	220	2.20
			277		0.95
			347		0.76
			480		0.55
72	2	1150mA	120	295	2.95
			277		1.28
			347		1.02
			480		0.74

## PROJECTED LUMEN MAINTENANCE

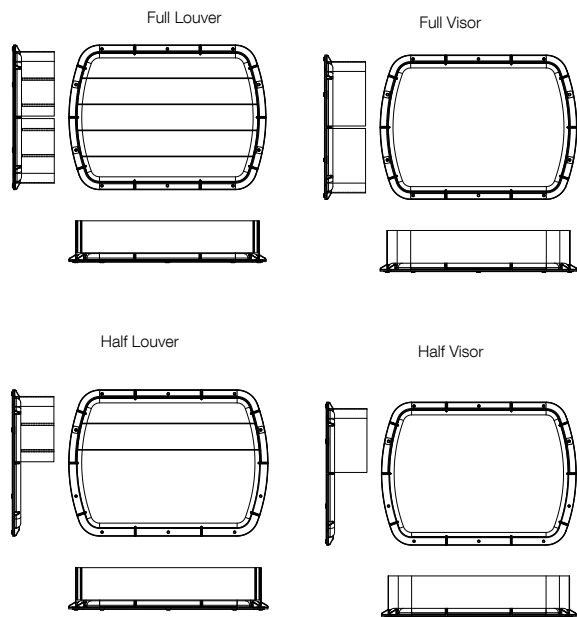
AMBIENT TEMP.	0	25,000	50,000	TM-21-11 60,000	100,000	Calculated L70 (HOURS)
25°C / 77°C	1.00	0.97	0.95	0.95	0.92	>470,000

<sup>1</sup> Projected per IESNA TM-21-11  
Data references the extrapolated performance projections for the base model in a 25°C ambient, based on 10,000 hours of LED testing per IESNA LM-80-08.

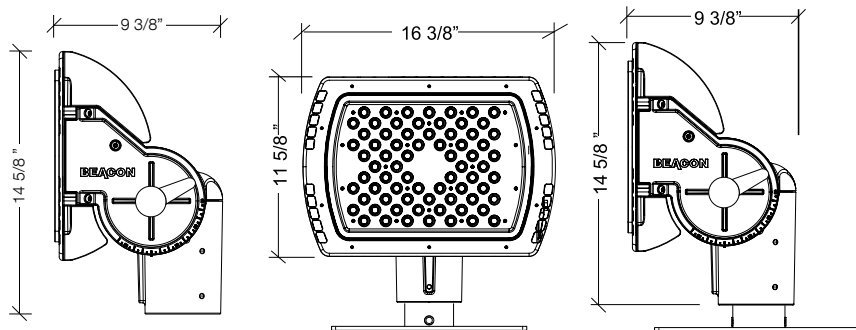
AMBIENT TEMPERATURE		LUMEN MULTIPLIER
0°C	32°F	1.02
10°C	50°F	1.01
20°C	68°F	1.00
25°C	77°F	1.00
30°C	86°F	0.98
40°C	104°F	0.98

Use these factors to determine relative lumen output for average ambient temperatures from 0-40°C (32-104°F).

## SHIELD OPTIONS

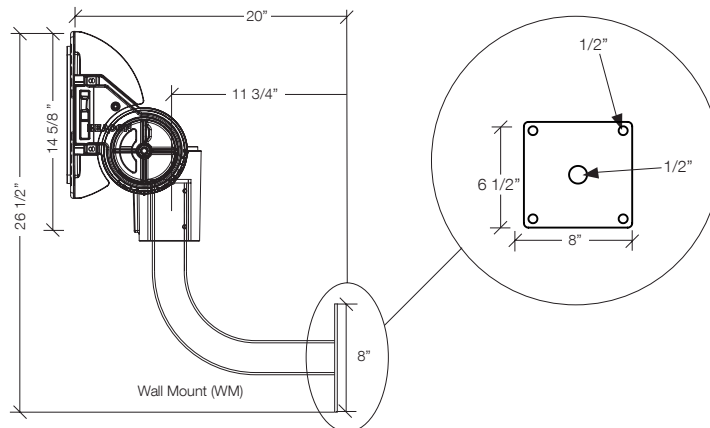


## MOUNTING OPTIONS



Standard SF3 mount  
Slips 2 3/8" to 3" O.D. Tenon

3" Pier Mount (PM)  
2 3/8" tenon on a 12"X12" square mounting plate



J-arm is mounted to the plate and included (hardware to attach fixture to the J-arm is included but hardware not included to attach to the wall)

Mounting plate provided with (4), pre-drilled, 3/8" diameter holes.