

SRT2 EDGE-LIT

CEILING/SURFACE/GARAGE

FEATURES

- Edge-lit optical assembly delivers exceptional uniformity over the entire lens with indirect illumination that reduces glare and improves visual comfort
- Low profile housing intended for 8' - 20' mounting heights for surface, trunnion/yoke or pendant mounting
- Applications include parking garage, walkway or building canopies, corridors, tunnels, large stairwells and other interior applications
- Multiple optical distributions are available making the Beacon Edge-Lit luminaire both versatile and functional
- UL/cUL listed for wet locations, IP65 and 3G vibration rated
- Ambient temperatures of up to 40°C

CONTROL TECHNOLOGY



SPECIFICATIONS

HOUSING

- Die-cast aluminum housing ensures long electrical component life and luminaire performance
- Corrosion resistant powder coat finish both protects and provides architectural appearance
- One piece molded silicone gasket ensures weather proof seal
- Thermally isolated driver mounted to dedicated bracket reduces operating temperatures and increases driver life and reliability

OPTICS

- Edge-lit acrylic light guide provides blended non-pixelated light for unprecedented visual comfort
- Choice of multiple light outputs with lumen range of 4,000–16,000
- Five distribution types: Type V Square, Type V Rectangular, Type V Concentrated, Type V Wide or Asymmetric (Type 3/4)
- Wide variety of CCT's and CRI's offered: 3000K (70CRI), 3000K (80CRI), 3500K (80CRI), 4000K (70CRI), 4000K (80CRI) or 5000K (70 CRI) CCT

ELECTRICAL

- 120V–277V 50/60Hz with 347V and 480V available
- 0-10V dimming drivers are RoHS compliant and IP66
- Surge protection – Standard 10kA with optional end of life LED indicator

INSTALLATION

- Standard quick mount plate over standard 4" square junction box or octagonal box and allows for simplified fixture installation.
- Standard luminaire accepts a rigid or free-swinging 3/4" NPT stem for pendant mount via wet location j-box (by others)
- Optional bird deterrent shroud available for field installation
- Optional trunnion/yoke mount available for field installation

OPTIONS/CONTROLS

- Standalone occupancy sensor available for on/off or dimming operation
- NX Distributed Intelligence™ available with in fixture wireless control module, features dimming and occupancy sensor
- wiSCAPE® available with in fixture wireless control module, features dimming and occupancy sensor
- UL924 device available for standalone and wireless control override during power interruptions
- Uplight option provides approximately 800 lumens and consumes only 8 additional watts
- Integral battery backup option available with and without heater. Rated for 0°C (without heater) and -30°C (with heater)
- Emergency lighting relay available for generator or central inverter supplied lighting
- Vandal resistant wire guard available as an option for factory installation or as an accessory for field installation

CERTIFICATIONS

- Listed to UL1598 for use in wet location, listed for -40°C to 40°C applications
- IDA approved with zero uplight for 3000K and warmer CCTs
- IP65

WARRANTY

- 5 year warranty
- See [HLI Standard Warranty](#) for additional information



RELATED PRODUCTS

- ⌘ [Drive Edge-Lit SRT1](#)
- ⌘ [Arceos™ ARS Surface](#)
- ⌘ [Endura](#)

KEY DATA	
Lumen Range	4000–16000
Wattage Range	30–140
Efficacy Range (LPW)	110–135
Reported Life (Hours)	L70>50K
Weight lbs. (kg)	15 (5.8)

SRT2 EDGE-LIT

CEILING/SURFACE/GARAGE

ORDERING GUIDE

Example: SRT2 30 3K7 5QW UNV GT WG

CATALOG #

Series	Engine	CCT	Distribution	Voltage	Color/Finish	Options
SRT2 Edge-Lit Parking Garage Size 2	30 30W Nominal 4000 lm	3K7 3000K, 70 CRI	5QW Type Square Wide ¹	UNV 120V- 277V	BL Textured Black	CD Continuous Dimming ⁶
	50 50W Nominal 6000 lm	3K8 3000K, 80 CRI	5RW Type 5 Rect. Wide ¹	120 120V	DB Textured Dark Bronze	WG Wire Guard
	65 65W Nominal 8000 lm	35K8 3500K, 80 CRI	5C Type 5 Concentrated	208 208V	GT Graphite Textured	UD Uplight Module ³
	85 85W Nominal 10000 lm	4K7 4000K, 70 CRI	5W Type 5 Wide ⁴	240 240V	GYS Smooth Gray	F Single Fuse (120, 277, 347V) ²
	100 100W Nominal 12000 lm	4K8 4000K, 80 CRI	ASY Asymmetric (Type 4) ¹	277 277V	PS Smooth Plat. Silver	F Double Fuse (208, 240, 480V) ²
	120 120W Nominal 14000 lm	5K7 5000K, 70 CRI		347 347V	WH Textured White	E EM Battery Pack (0°C) ²
	140 140W Nominal 16000 lm			480 480V	CC Custom Color	EH EM Battery w/Heater (-30°C) ²
						ELR Emergency Lighting Relay ³
						LD3 36" Lead Length ⁵
						LD6 72" Lead Length ⁵
						LD9 108" Lead Length ⁵
						SP10K 10kA Surge Protection with End of Life LED Indicator
						LMB Less Mounting Bracket

Control Options	
NX Standalone	
NXOS-12F	NX Distributed Intelligence™, PIR Occ. Sensor, Dimming Daylight Harvesting, up to 12' MH
NXSP-30F	NX Distributed Intelligence™, PIR Occ. Sensor, Dimming Daylight Harvesting, up to 30' MH
NXOS924-12F	NX Distributed Intelligence™, PIR Occ. Sensor with UL924 dimming bypass module for controls override, up to 12' MH ³
NXSP924-30F	NX Distributed Intelligence™, PIR Occ. Sensor, with UL924 dimming bypass module for controls override, up to 30' MH ³
NX Networked – Wireless¹	
NXWE	NX Distributed Intelligence™ Wireless Enabled (module + radio)
NXOSW-12F	NX Distributed Intelligence™ Wireless, PIR Occ. Sensor, Dimming Daylight Harvesting, up to 12' MH
NXSPW-30F	NX Distributed Intelligence™ Wireless, PIR Occ. Sensor, Dimming Daylight Harvesting, up to 30' MH
NXWE924	NX Distributed Intelligence™ Wireless Enabled with UL924 dimming bypass module for controls override ³
NXOSW924-12F	NX Distributed Intelligence™ Wireless, PIR Occ. Sensor with UL924 dimming bypass module for controls override, up to 12' MH ³
NXSPW924-30F	NX Distributed Intelligence™ Wireless, PIR Occ. Sensor with UL924 dimming bypass module for controls override, up to 30' MH ³
wiSCAPE® – Wireless¹	
WIR	Wireless Controls, wiSCAPE®
WIRSC	wiSCAPE® + occupancy sensor
WIR924	Wireless Controls, wiSCAPE® with UL924 dimming bypass module for controls override ³
WIRSC924	wiSCAPE® + occupancy sensor with UL924 dimming bypass module for controls override ³
Sensor Controls	
SCP-8F	Remote control programmable line voltage sensor (8-12' recommended MH)
SCP-20F	Remote control programmable line voltage sensor (12-20' recommended MH)
SCP924-8F	Programmable sensor with UL924 dimming bypass module for controls override (8-12' recommended MH) ³
SCP924-20F	Programmable sensor with UL924 dimming bypass module for controls override (12-20' recommended MH) ³

Notes:

- 1 Up to 85W light engines only
- 2 Must specify voltage, 120V or 277V for E and EH
- 3 Universal voltage only
- 4 100–140W light engines only
- 5 Standard wire lead length 24"
- 6 Specify when using external 0-10V dimming system

Accessories (Order Separately)

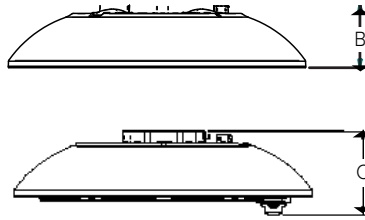
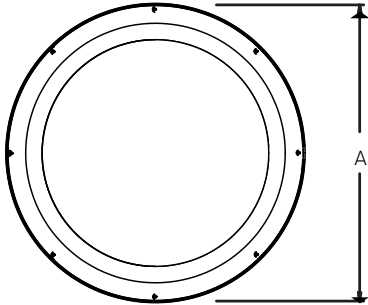
- SRT2-WG** Wire Guard for SRT2 version
- SRT-MB** Mounting bracket for pre-installation
- SRT2-BRD** Bird deterrent shroud for SRT2 version, not available with uplight or trunnion mount
- SRT2-TM** Trunnion/Yoke accessory for SRT2 version
- SCP-REMOTE** Remote control for SCP option; order at least on per project to program and control

SRT2 EDGE-LIT

CEILING/SURFACE/GARAGE

DIMENSIONS

SRT2



A	B	C	Weight
18.5" (469mm)	4.0" (1mm)	5.2" (132mm)	15bs (6.8kg)

ADDITIONAL INFORMATION

MOUNTING



Surface Mount

Mounting plate with "quick mount" hanger for one person simple installation.



Pendant Mount

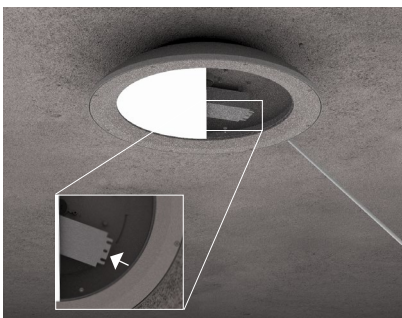
Standard 3/4" threaded entry for pendant applications.



Trunion/Yoke Mount

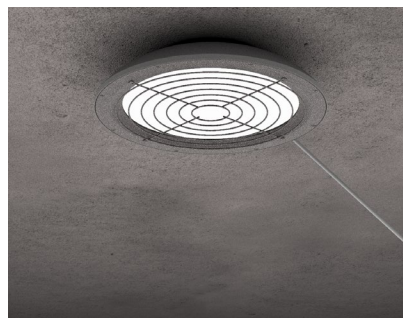
Multiple position trunion mount adjusts 9" up and down for positioning in 1" increments.

ACCESSORIES AND SERVICES



Battery Backup

Integral battery backup option available on SRT2 version.



Wire Guard

An optional wire guard can be specified at the factory or as an accessory for field installation.



Bird Deterrent

An optional bird shroud deterrent can be specified at the factory or as an accessory for field installation.

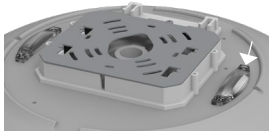
SRT2 EDGE-LIT

CEILING/SURFACE/GARAGE

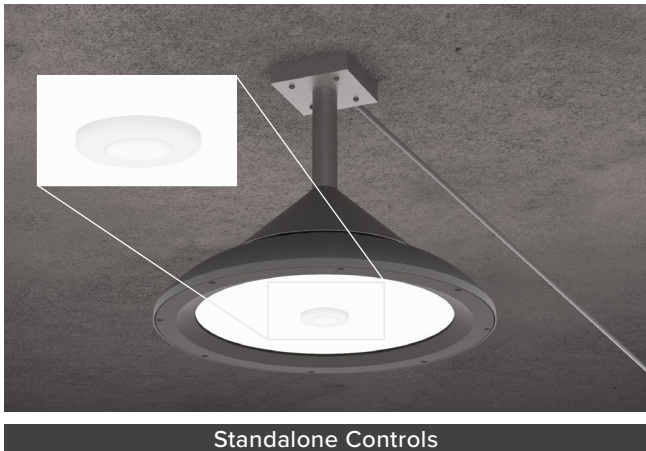
ADDITIONAL INFORMATION (CONT'D)

UPLIGHT

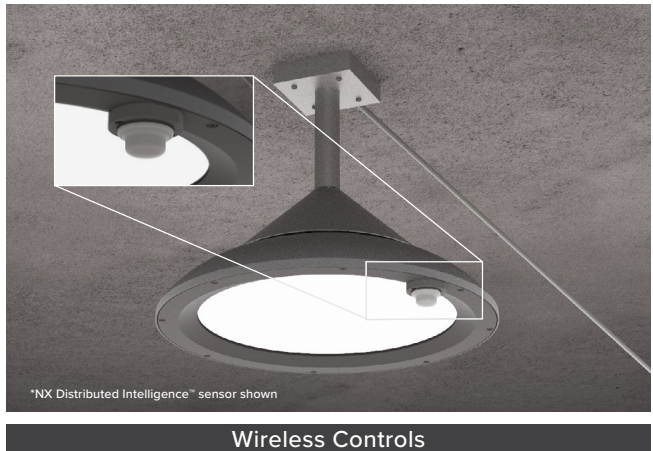
Optional uplight module provides 800 lumens of indirect illumination for improved visual quality while eliminating cave effect.



CONTROLS



Standalone Controls



Wireless Controls

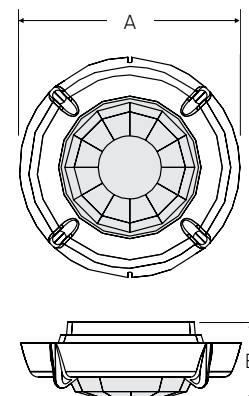
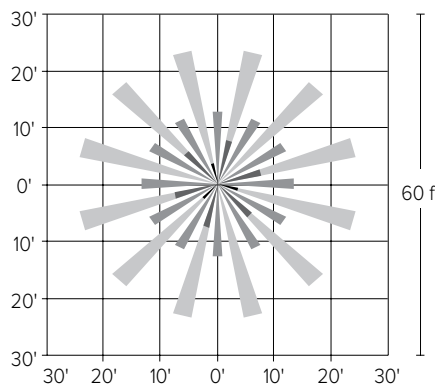
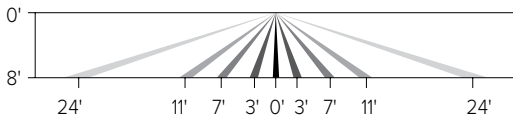
Optional passive infrared sensors are available for basic occupancy and daylight sensing. Programmable via remote or Bluetooth® phone app.

NX DISTRIBUTED INTELLIGENCE

wiSCAPE™
WIRELESS OUTDOOR LIGHTING SYSTEM

Optional NX Distributed Intelligence™ and wiSCAPE® wireless controls are available for SRT2 versions (with or without occupancy sensing).

SCP-8F



A	B
2.3" (59mm)	.8" (20mm)

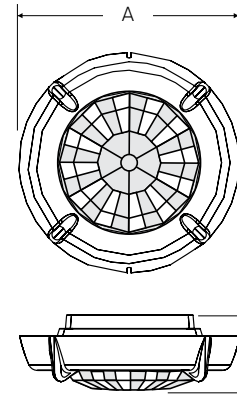
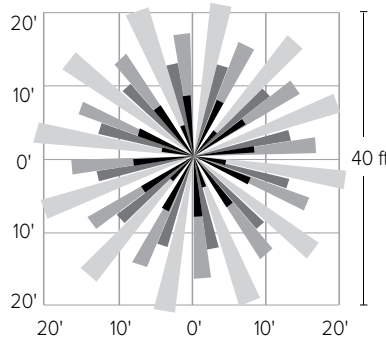
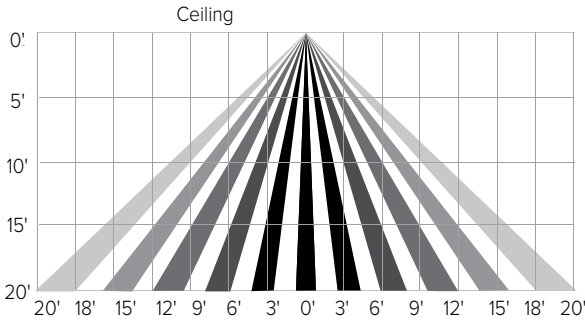
SRT2 EDGE-LIT

CEILING/SURFACE/GARAGE

ADDITIONAL INFORMATION (CONT'D)

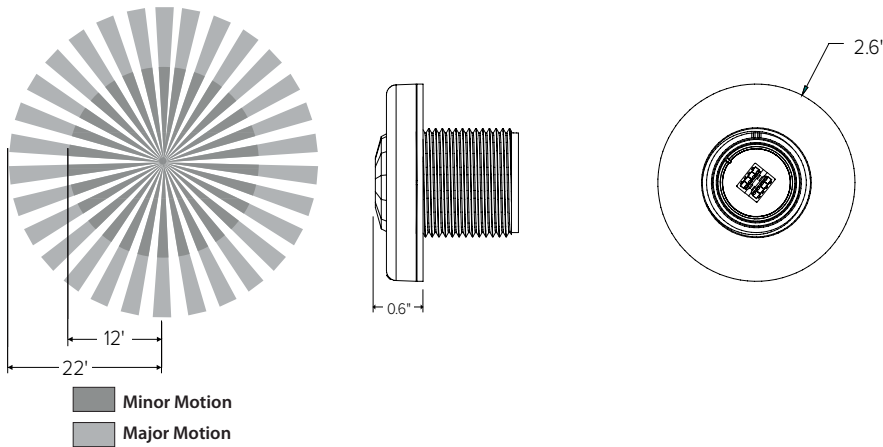
CONTROLS (CONT'D)

SCP-20F



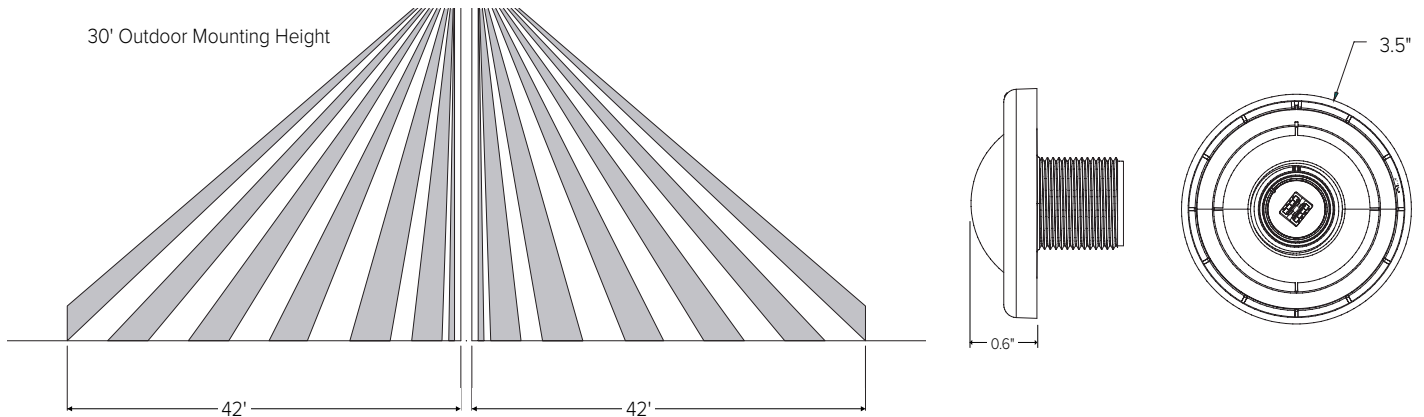
A	B
2.3" (59mm)	.8" (20mm)

NXOS12F



NXSMP-OMNI Range

NXSP30F



USE OF TRADEMARKS AND TRADE NAMES

All product and company names, logos and product identifies are trademarks™ or registered trademarks® of Hubbell Lighting, Inc. or their respective owners. Use of them does not necessarily imply any affiliation with or endorsement by such respective owners.